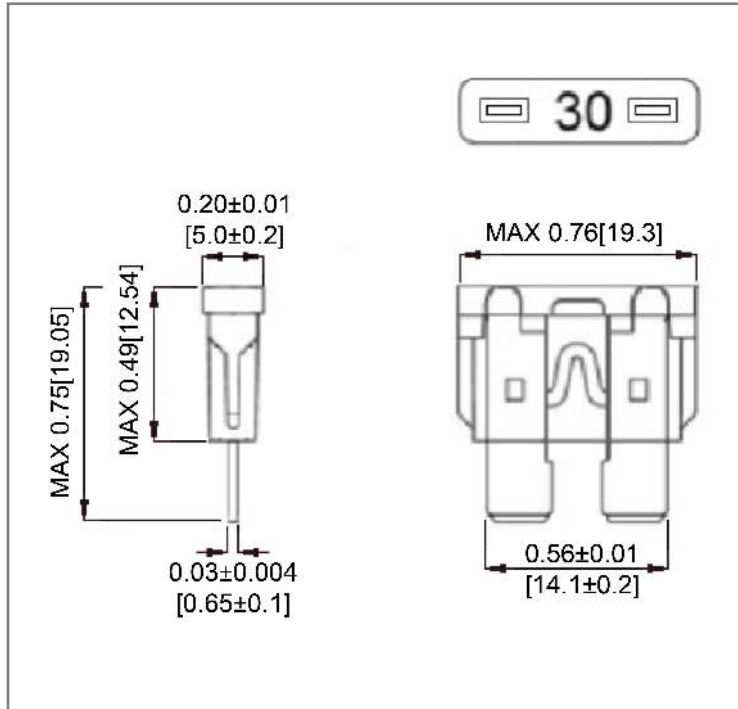
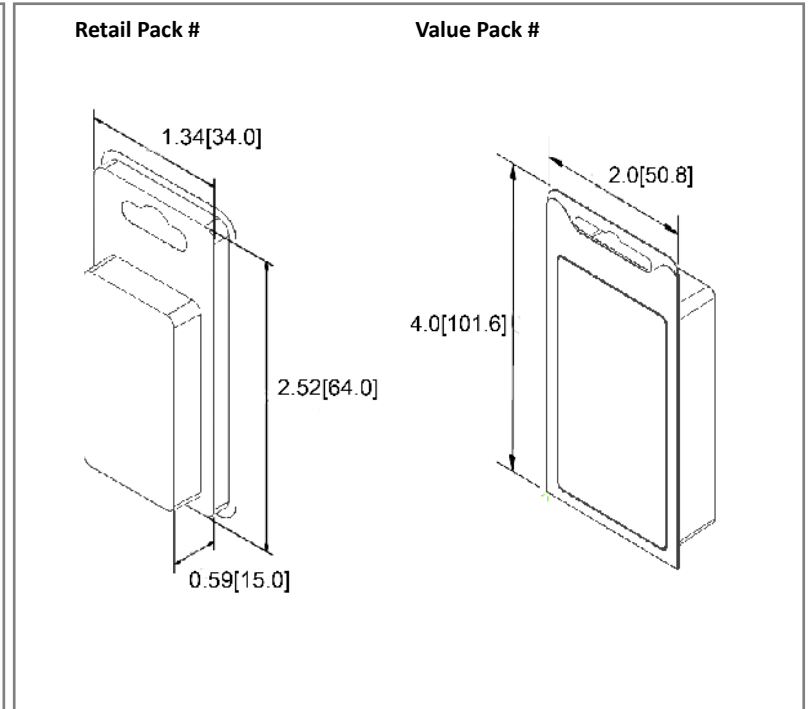


Mechanical Dimensions: Inches [mm]



Retail Pack: Inches [mm]



Part Numbers Information

Amperage	Body Color	Bulk Part #	Retail Pack # Blister Card	Pack Size	Value Pack # Clamshell	Pack Size
2A	Gray	ANR-2A	ANR-2A-BP	5	-	-
3A	Violet	ANR-3A	ANR-3A-BP	5	ANR-3A-VP	25
4A	Pink	ANR-4A	ANR-4A-BP	5	ANR-4A-VP	25
5A	Tan	ANR-5A	ANR-5A-BP	5	ANR-5A-VP	25
7.5A	Brown	ANR-7.5A	ANR-7.5A-BP	5	ANR-7.5A-VP	25
10A	Red	ANR-10A	ANR-10A-BP	5	ANR-10A-VP	25
15A	Blue	ANR-15A	ANR-15A-BP	5	ANR-15A-VP	25
20A	Yellow	ANR-20A	ANR-20A-BP	5	ANR-20A-VP	25
25A	Clear	ANR-25A	ANR-25A-BP	5	ANR-25A-VP	25
30A	Green	ANR-30A	ANR-30A-BP	5	ANR-30A-VP	25
35A	Blue Green	ANR-35A	-	5	-	-
40A	Orange	ANR-40A	ANR-40A-BP	5	ANR-40A-VP	25

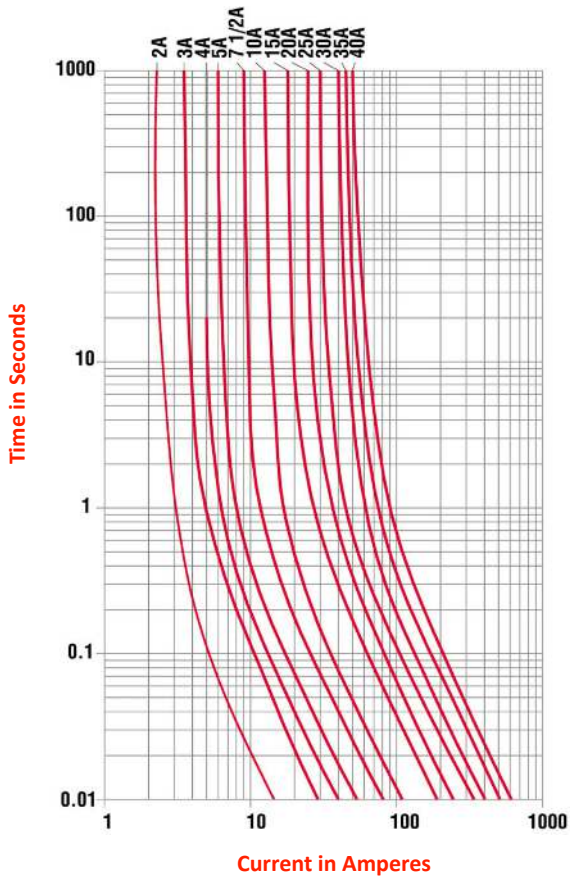
Electrical Specifications

Voltage Rating	32V DC
Interrupting Rating	1000A @ 32 VDC
Testing	SAE, ISO 8820

Material Specifications

Body	PA 66
Terminals	Zinc Alloy

Time vs. Percent of Rated Current



% of Rated Current	Current Rating	Min Hold Time	Max Hold Time
110%	2-40 Amp	100h	-
135%	2-40 Amp	-	1800s
200%	2-40 Amp	-	5s

Rev Date of issue Revision Notes

Designed Approved

B	04-04-2023	Initial Drawing	RC	OF
---	------------	-----------------	----	----