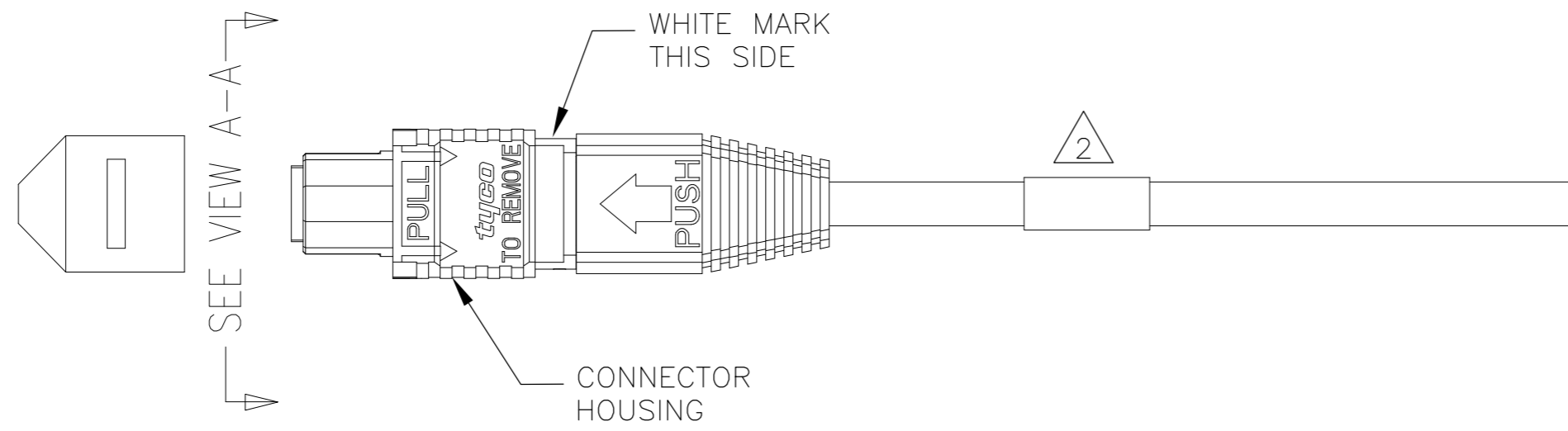
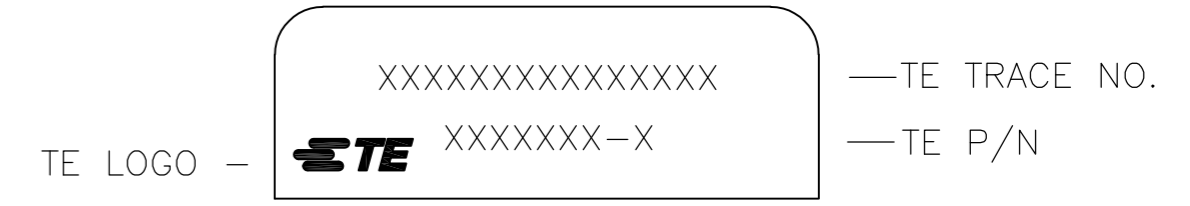
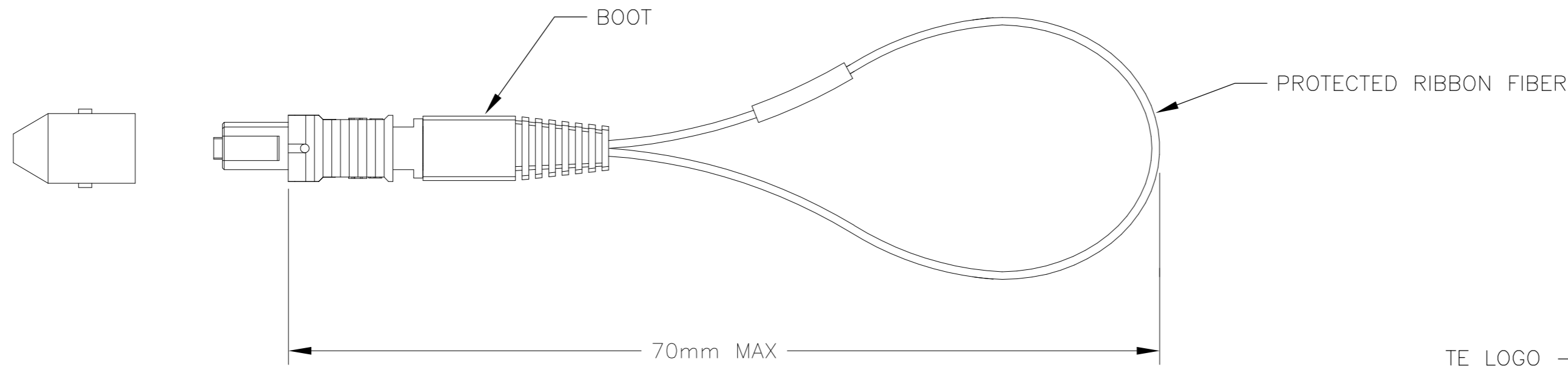


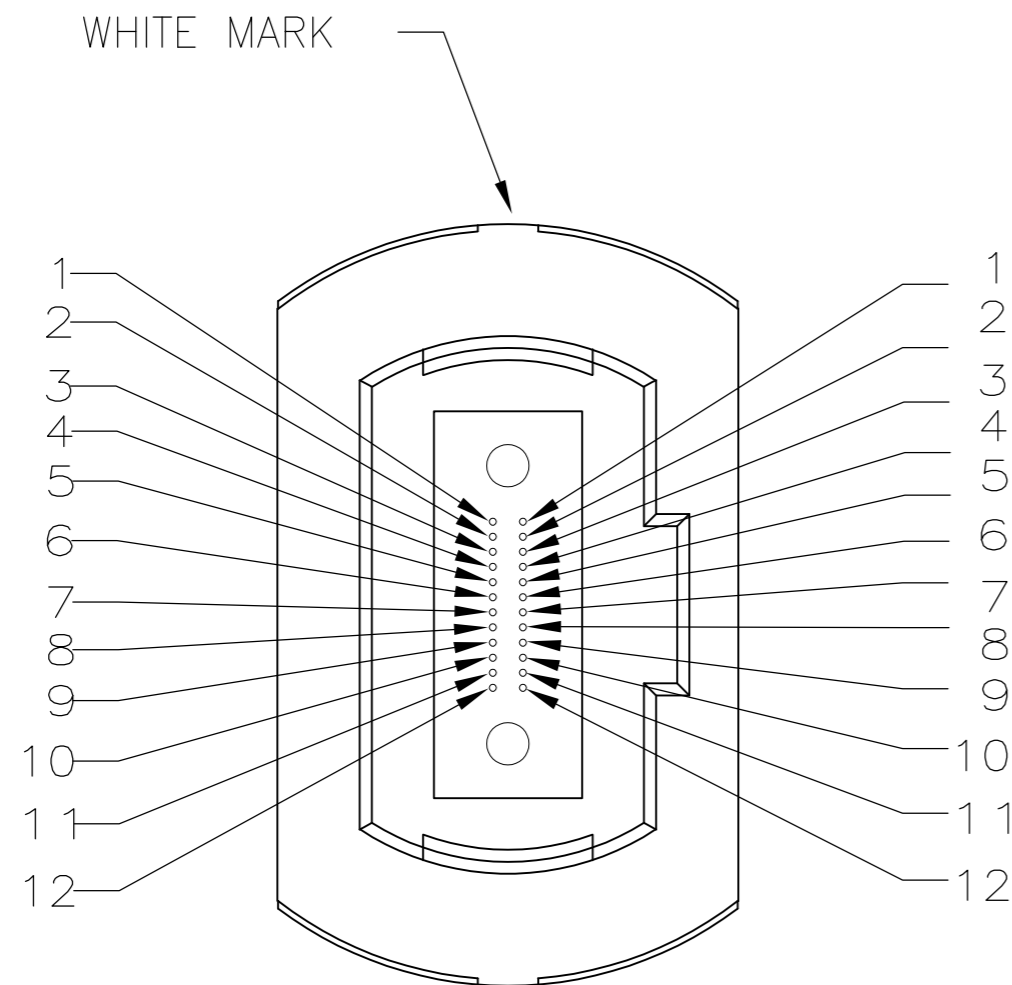
THIS DRAWING IS UNPUBLISHED. RELEASED FOR PUBLICATION  
 © COPYRIGHT - By - ALL RIGHTS RESERVED.

LOC		DIST		REVISIONS					
CE		17		P	LTR	DESCRIPTION	DATE	DWN	APVD
				A		ECR-15-018403	28DEC2015	BB	SW



2 TRACE LABEL DETAIL  
(NOT TO SCALE)

1. MAX. INSERTION LOSS EACH CHANNEL  
2.0dB AT 850nm.
2. SEE TRACE LABEL DETAIL.
3. INCLUDE INSERTION LOSS DATA WITH EACH LOOPBACK
4. PRODUCT AND PROCESSING MUST MEET REQUIREMENTS OF TEC-138-702



FIBER NUMBER COLOR		
1	BLUE	1
2	ORANGE	2
3	GREEN	3
4	BROWN	4
5	SLATE	5
6	WHITE	6
7	RED	7
8	BLACK	8
9	YELLOW	9
10	VIOLET	10
11	ROSE	11
12	AQUA	12

VIEW A-A  
NTS

2123248-1  
PART NUMBER

THIS DRAWING IS A CONTROLLED DOCUMENT.		DWN LG EBY 2-2-2010	TE Connectivity CABLE ASSEMBLY, 24 FIBER MTP®50/125um PROTECTED RIBBON LOOPBACK		
DIMENSIONS: mm		CHK F. ABENDSCHEIN 2-2-2010			NAME
TOLERANCES UNLESS OTHERWISE SPECIFIED:		APVD D. BAECHTLE 2-2-2010			PRODUCT SPEC
0 PLC ± -		APPLICATION SPEC			SIZE CAGE CODE DRAWING NO RESTRICTED TO
1 PLC ± -		PRODUCT SPEC	SCALE SHEET REV		
2 PLC ± -		APPLICATION SPEC	A2 00779 C=2123248 1 of 1 A		
3 PLC ± -		WEIGHT	CUSTOMER DRAWING		
4 PLC ± -		FINISH			
ANGLES ± -					