



Compact Push-Pull Circular Connector

CONNECTOR

MB-0101-5

May 2018

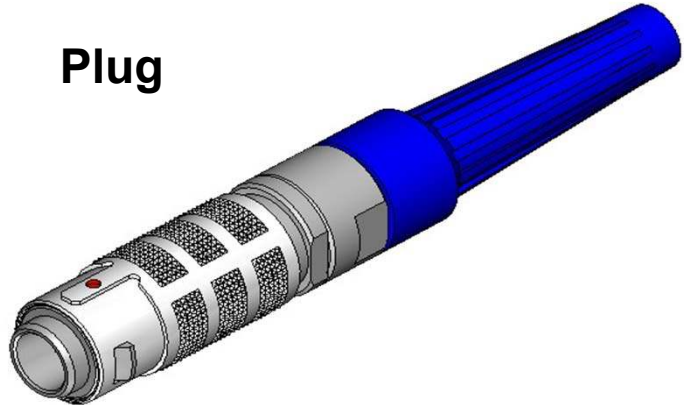
# JB5 Series

<b>RoHS Compliant</b>
-----------------------

## Receptacle



## Plug



The JB5 Series are small circular connectors, rated IP68 waterproof and a push-pull locking structure to enable easy mating and unmating. The connector series is offered with superior environmental durability and user-friendly designs that are ideal for various applications, such as, medical, measurement, and communication equipment, as well as handheld PCs, scanners and other small equipment.

<b>Features</b>
-----------------

- Waterproof and dustproof rating: IP68 protection level (in mated condition and stand alone receptacle)
- Largest connector of series with 8 contacts is offered in a compact 14.8mm diameter shell (plug outer diameter: 11mm dia.)
- Push-pull locking structure enables easy one-handed mating and unmating
- Audible and tactile “click” confirms secure locking when mating
- Metal outer shell and ground terminal in the receptacle ensures excellent shielding
- Mis-mating can be visibly prevented with color variation of plug boots
- Durability: 5,000 cycles

<b>General Specifications</b>
-------------------------------

Number of Contacts	3 pos.	4 pos.	5 pos.	6 pos.	8 pos.
Rated Current	3A per pos.			2A per pos.	
Rated Voltage	320VAC			200VAC	
Operating Temperature	-55 Deg. C to +85 Deg. C				
Water-proof	IP68 (in mated condition when mated and stand alone receptacle)				
Durability	5000 mating cycles				
Applicable Wire	22 AWG max.	24 AWG max.	28 AWG max.		
Applicable Cable Diameter	Outer cable diameter: 4.5 to 5mm				

Materials and Finishes
------------------------

### Receptacle

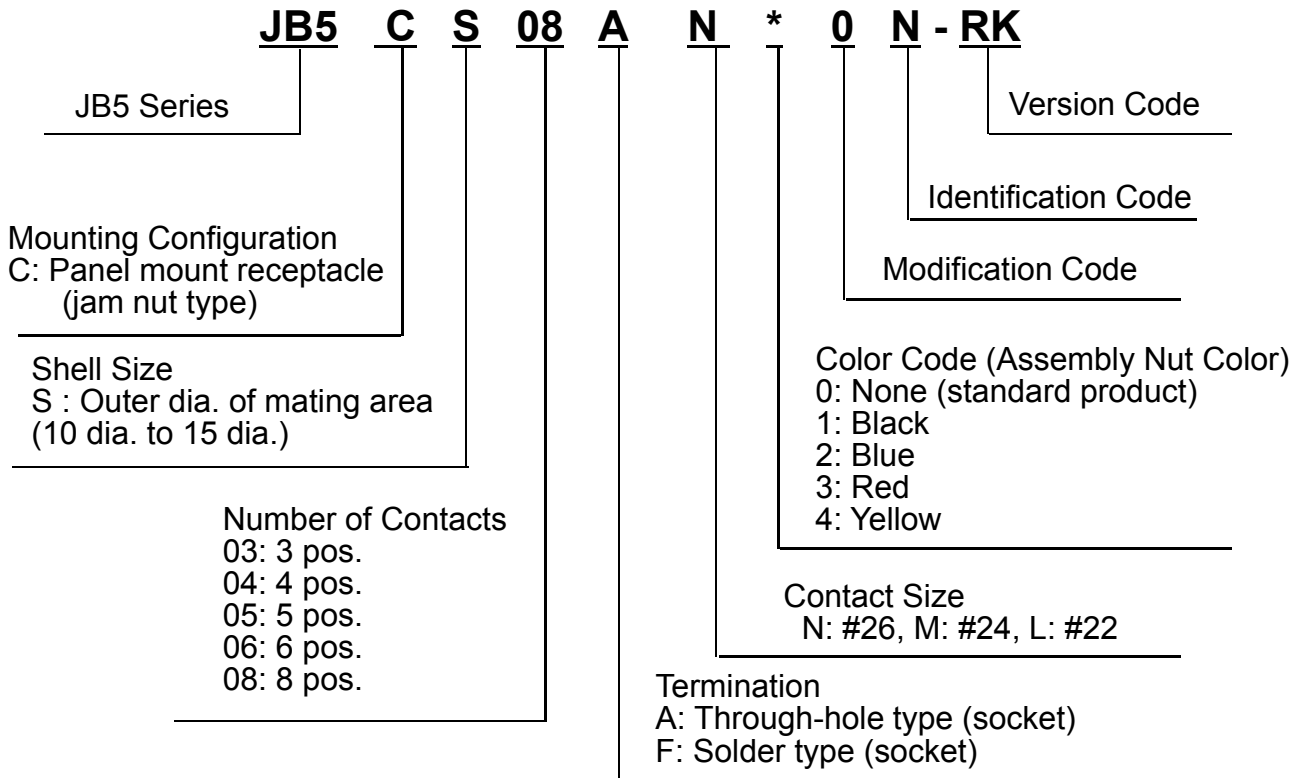
Component	Material / Finish
Socket Contact	Copper alloy / Au plating over Ni
Shell	Copper alloy / Chrome plating over Cu
Insulator	Glass filled nylon
Assembly Nut	Copper alloy / Chrome plating over Cu
Gasket	Silicone rubber
“O”Ring	Nitrile rubber
Ground Pin	Copper alloy / Sn plating
Dust Cap	EPDM rubber

### Plug

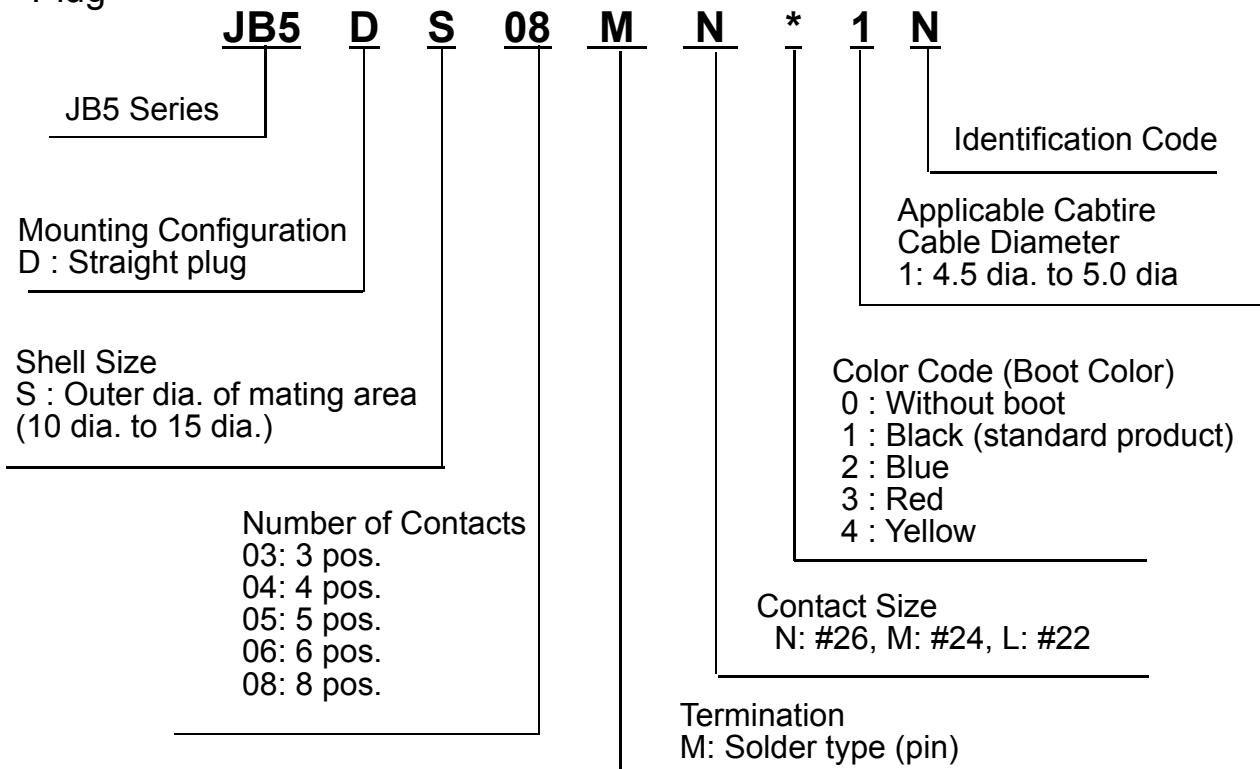
Component	Material / Finish
Pin Contact	Copper alloy / Au plating over Ni
Barrel	Zinc Alloy / Ni plating over Cu
Insulator	Glass filled nylon
Coupling Nut	Zinc Alloy / Chrome plating over Cu
Spacer	Copper alloy / Ni plating
Lock Spring	Copper alloy / Ni plating over Cu
Shield Sleeve	Copper alloy / Ni plating
Bushing	EPDM rubber
Ground Nut	Copper alloy / Chrome plating over Cu
Clamp	Copper alloy / Ni plating
Boot	Polyester elastomer
Outer Boot Clamp	Polyacetal

Ordering Information

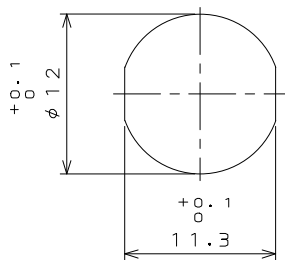
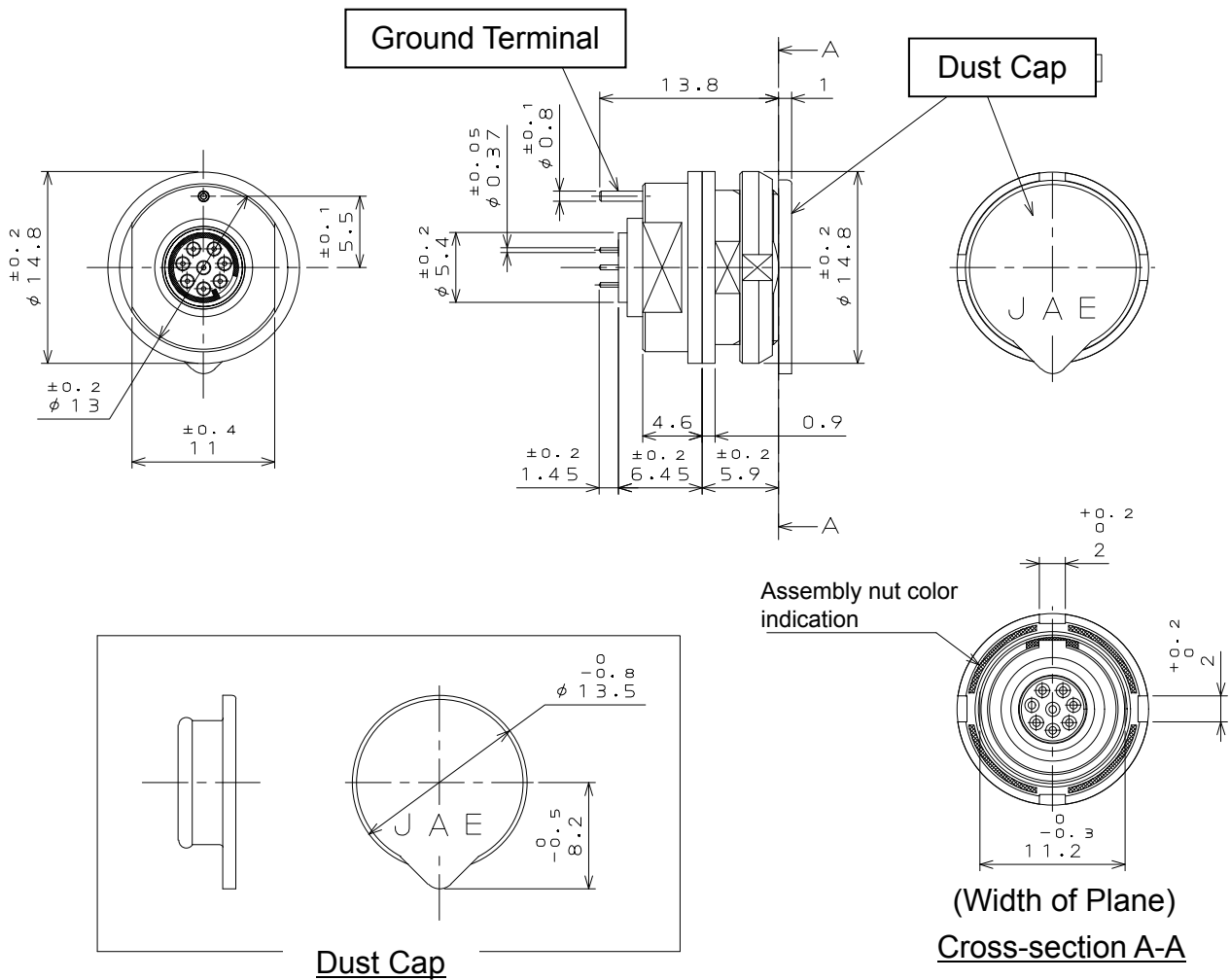
Receptacle



Plug



Jam Nut Receptacle (Through Hole Type)

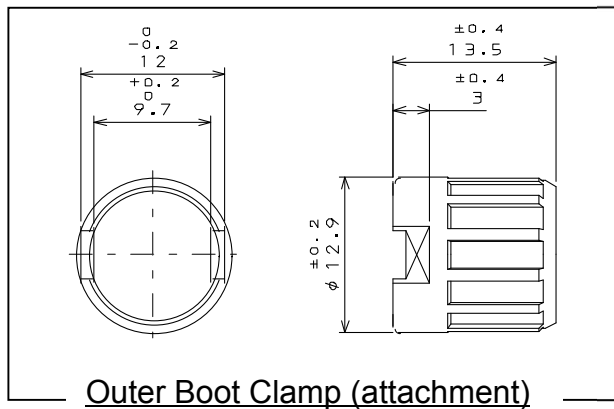
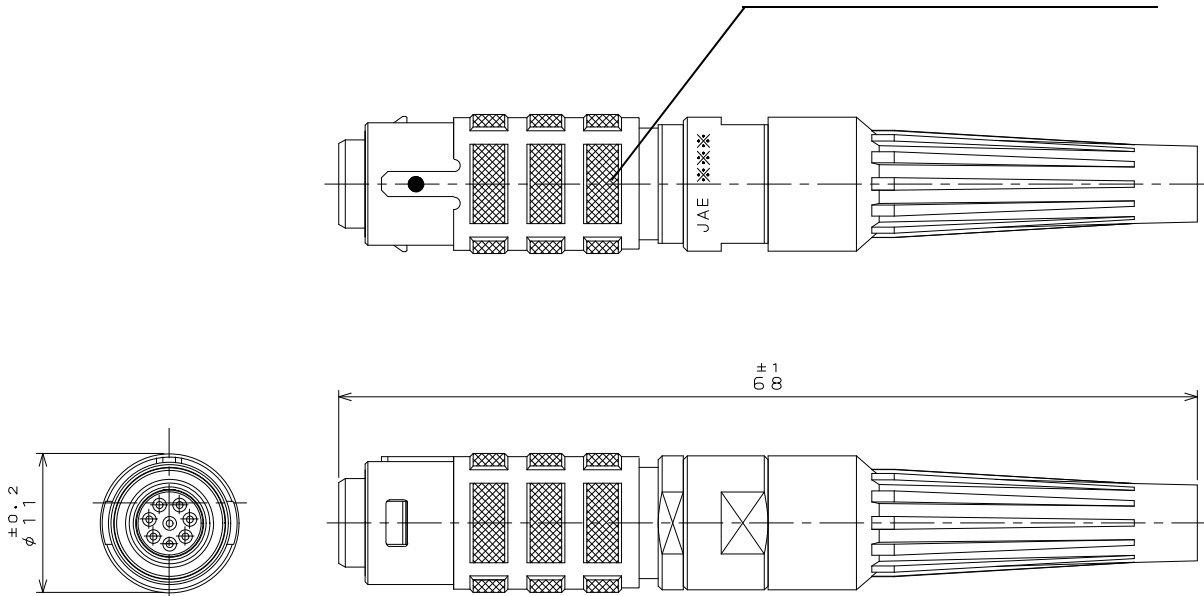


Number of Contacts	Part Number	Drawing
3 position	JB5CS03AL*0N-RK	SJ120032
4 position	JB5CS04AM*0N-RK	SJ120035
5 position	JB5CS05AM*0N-RK	SJ120038
6 position	JB5CS06AN*0N-RK	SJ120040
8 position	JB5CS08AN*0-RK	SJ120042

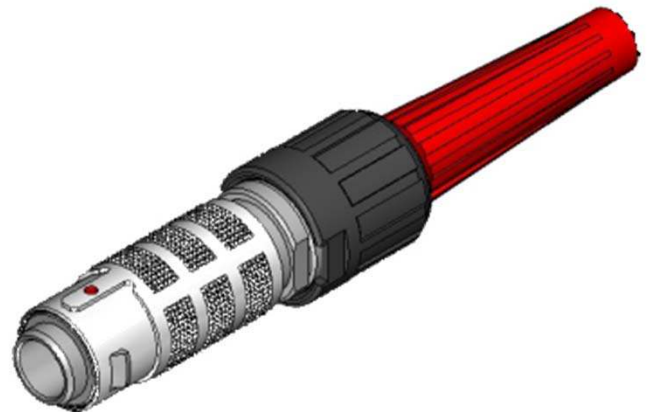


Plug

Contact Count Indication  
(excluding 8 position)



Outer Boot Clamp (attachment)



Outer boot clamp attached

## Outer Clamp (attachment)

### Usage

The outer boot clamp can be used to reinforce and prevent boot rising or disengagement caused by severe cable bending, etc.

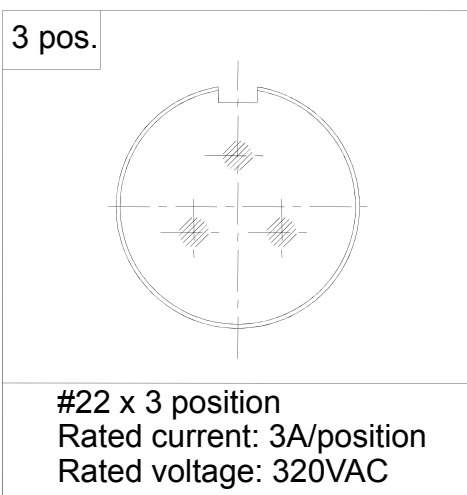
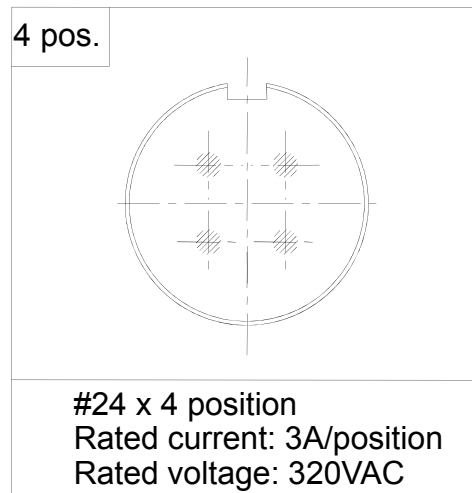
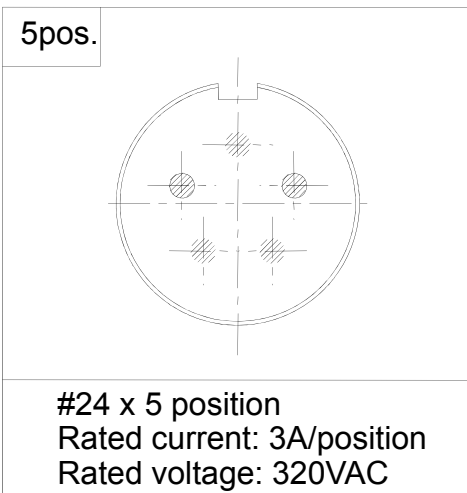
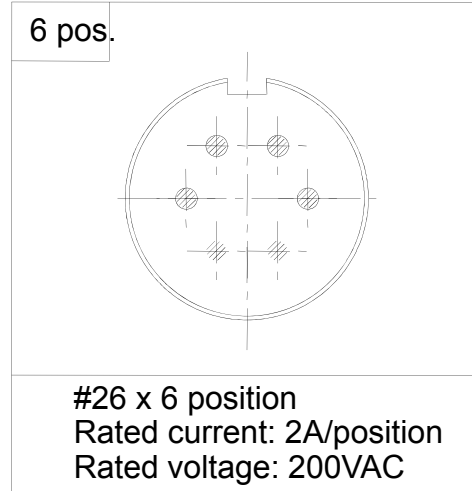
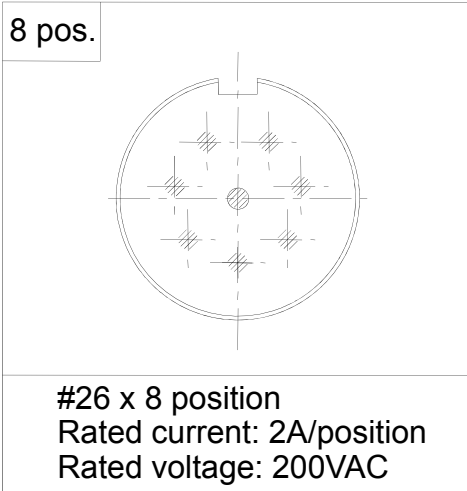
The customer may use this depending on the usage and applications.

### Note

Once the outer clamp is placed on the connector it cannot be removed.

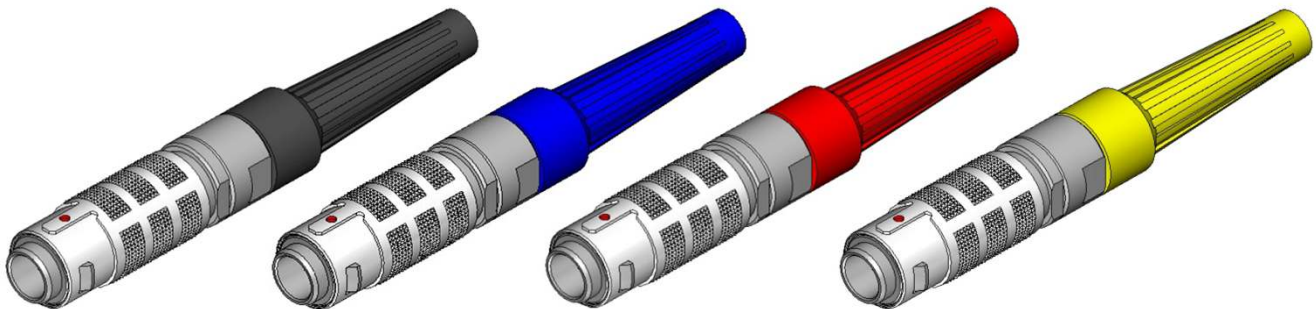
Number of Contacts	Part Number	Drawing
3 position	JB5DS03ML *1N	SJ104323
4 position	JB5DS04MM *1N	SJ104326
5 position	JB5DS05MM *1N	SJ104329
6 position	JB5DS06MN *1N	SJ104332
8 position	JB5DS08MN *1	SJ100061

Contact Array



[Boots color variation]

Black, Blue, Red, Yellow (4 colors)



Technical Information

	Japanese	English
Specifications	JACS-50001	JACS-50001-E
Handling Instructions	JAHL-50001	JAHL-50001-E

**Notice:**

- The values specified in this brochure are only for reference. The products and their specifications are subject to change without notice. Contact our sales staff for further information before considering or ordering any of our products. For purchase, a product specification must be agreed upon.
- Users are requested to provide protection circuits and redundancy circuits to ensure safety of the equipment, and sufficiently review the suitability of JAE's products to the equipment.
- The products presented in this brochure are designed for the uses recommended below. We strongly suggest you contact our sales staff when considering use of any of the products in any other way than the recommended applications or for a specific use that requires an extremely high reliability.
  - Applications that require consultation:
    - Please contact us if you are considering use involving a quality assurance program that you specify or that is peculiar to the industry, such as:  
Automotive electrical components, train control, telecommunications devices (mainline), traffic light control, electric power, combustion control, fire prevention or security systems, disaster prevention equipment, etc.
    - We may separately give you our support with a quality assurance program that you specify, when you think of a use such as :  
Aviation or space equipment, submarine repeaters, nuclear power control systems, medical equipment for life support, etc.
  - Recommended applications include:  
Computers, office appliances, telecommunications devices (terminals, mobile units), measuring equipment, audiovisual equipment, home electric appliances, factory automation equipment, etc.

**Japan Aviation Electronics Industry, Limited**

Product Marketing Division  
 Aobadai Building, 3-1-19, Aobadai, Meguro-ku, Tokyo 153-8539  
 Phone: +81-3-3780-2882 FAX: +81-3-3780-2946

\* The specifications in this brochure are subject to change without notice. Please contact JAE for information.