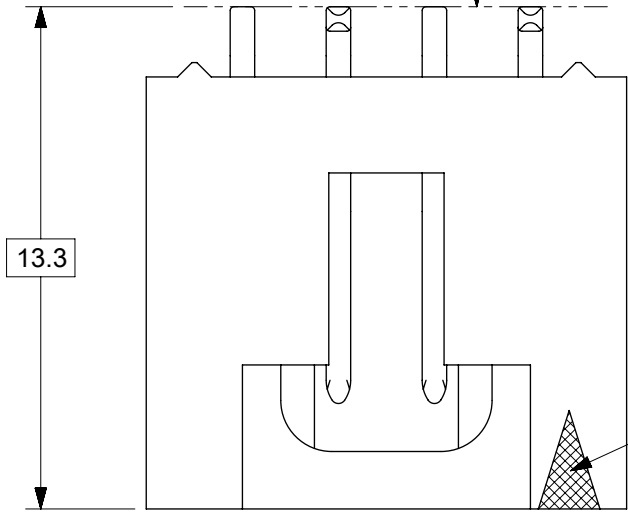


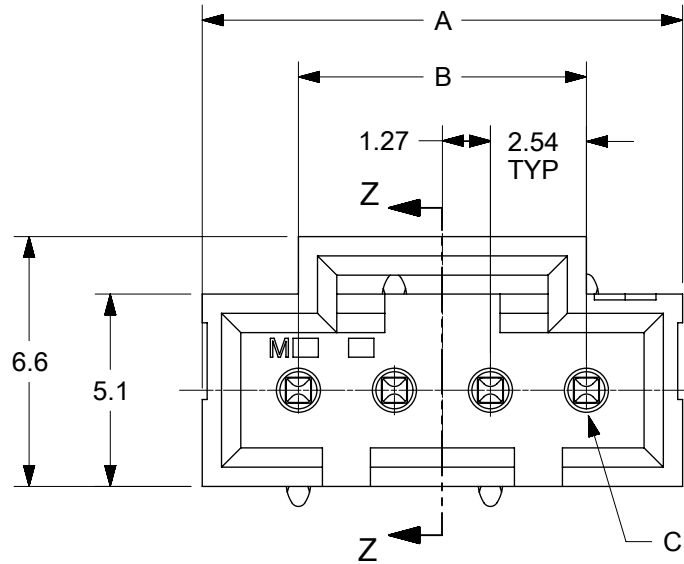
0.65
SQUARE PINS

	0.15	3-15 CIRCUIT PARTS
	0.20	16-20 CIRCUIT PARTS
	0.26	21-25 CIRCUIT PARTS

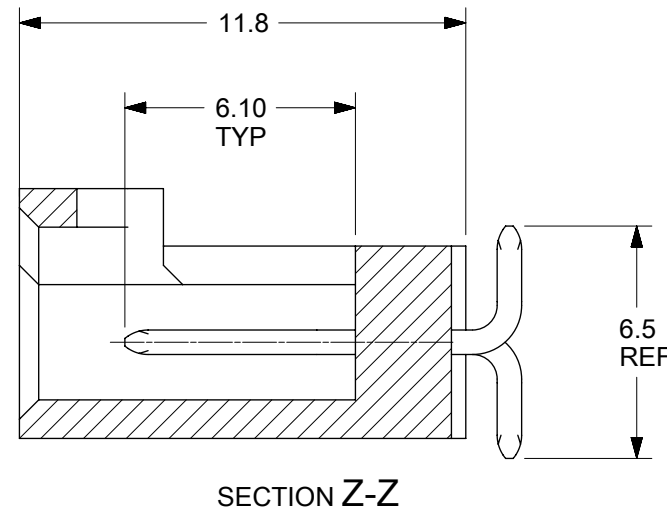
3-15 CIRCUIT PARTS
16-20 CIRCUIT PARTS
21-25 CIRCUIT PARTS



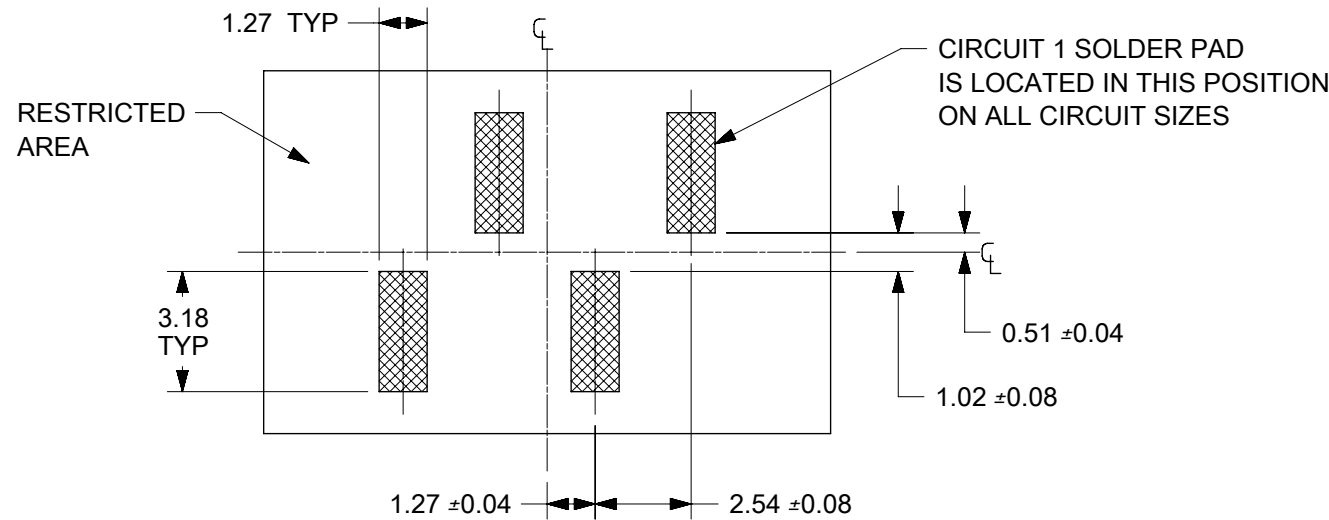
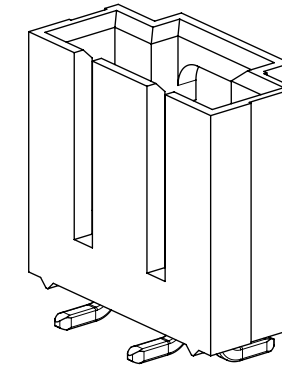
CIRCUIT 1 INDICATOR



CIRCUIT 1



SECTION Z-Z



RECOMMENDED PC BOARD LAYOUT

CIRCUIT 1 SOLDER PAD IS LOCATED IN THIS POSITION ON ALL CIRCUIT SIZES

NOTES:

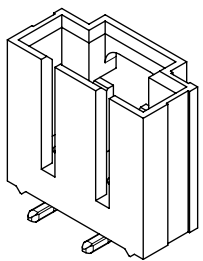
- HOUSING MATERIAL: (LCP) LIQUID CRYSTAL POLYMER
UL94V-0, COLOR: BLACK

PIN MATERIAL: BRASS
- PLATINGS:
MATTE TIN - 2.54 MICROMETERS MINIMUM MATTE TIN OVER NICKEL
0.38 GOLD - SELECT GOLD IN MATING AREA: 0.38 MICROMETERS MINIMUM
SELECT MATTE TIN IN TAIL AREA: 2.0 MICROMETERS MINIMUM WITH OVERALL NICKEL UNDERPLATE
0.75 GOLD - SELECT GOLD IN MATING AREA: 0.75 MICROMETERS MINIMUM
SELECT MATTE TIN IN TAIL AREA: 2.0 MICROMETERS MINIMUM WITH OVERALL NICKEL UNDERPLATE
- PRODUCT SPECIFICATION: 1719710000-PS AND PS-70400
- PACKAGING SPECIFICATION: SEE CHART
- HEADER MATES WITH: OPTION "G" 70400 AND 70430 SERIES SL CONNECTORS.
- COSMETIC SPECIFICATION: PS-45499-002 CLASS B
- SOLDERABILITY PER SMES-152 LEAD FREE ALLOY

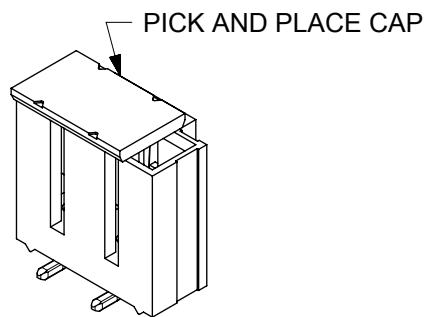
CIRCUIT SIZE	A	B
3	10.08	5.08
4	12.62	7.62
5	15.16	10.16
6	17.70	12.70
7	20.24	15.24
8	22.78	17.78
9	25.32	20.32
10	27.86	22.86
11	30.40	25.40
12	32.94	27.94
13	35.48	30.48
14	38.02	33.02
15	40.56	35.56
16	43.10	38.10
17	45.64	40.64
18	48.18	43.18
19	50.72	45.72
20	53.26	48.26
21	55.80	50.80
22	58.34	53.34
23	60.88	55.88
24	63.42	58.42
25	65.96	60.96

THIS DRAWING CONTAINS INFORMATION THAT IS PROPRIETARY TO MOLEX ELECTRONIC TECHNOLOGIES, LLC AND SHOULD NOT BE USED WITHOUT WRITTEN PERMISSION									
SYMBOLS	DIMENSION UNITS	SCALE	CURRENT REV DESC: REV PER QUAL						
	mm	4:1	molex SL VERT LCP HEADER ASSY SMT						
▽ = 0	GENERAL TOLERANCES (UNLESS SPECIFIED)								
▽ = 0	ANGULAR TOL ± °		DRWN: KSAMIEC			2018/03/29	2018/04/09	2018/04/11	PRODUCT CUSTOMER DRAWING
▽ = 0	4 PLACES ±		CHK'D: MKIPPER			2018/03/29	2018/04/09	2018/04/11	DOCUMENT NUMBER
▽ = 0	3 PLACES ±		APPR: FSMITH			2018/03/29	2018/04/09	2018/04/11	1719730000-SD
▽ = 0	2 PLACES ± 0.25		INITIAL REVISION:			2016/07/13	2016/07/15	2016/07/15	PSD
▽ = 0	1 PLACE ± 0.36		DRWN: KSAMIEC			2016/07/13	2016/07/15	2016/07/15	000
▽ = 0	0 PLACES ± 0.0		APPR: FSMITH			2016/07/13	2016/07/15	2016/07/15	C3
▽ = 0	DRAFT WHERE APPLICABLE MUST REMAIN WITHIN DIMENSIONS		THIRD ANGLE PROJECTION	DRAWING	SERIES	MATERIAL NUMBER	CUSTOMER	SHEET NUMBER	
▽ = 0				B-SIZE	171973	SEE CHART	GENERAL MARKET	1 OF 2	

	10	9	8	7	6	5	4	3	2	1
F	PLATING DESCRIPTION	MATTE TIN	0.38 GOLD	0.75 GOLD	MATTE TIN	0.38 GOLD	0.75 GOLD			
	PACKAGING SPEC	1719710000-PK	1719710000-PK	1719710000-PK	1719730000-PK	1719730000-PK	1719730000-PK			
	PACKING DESCRIPTION	TUBE	TUBE	TUBE	TAPE AND REEL	TAPE AND REEL	TAPE AND REEL			
	PICK AND PLACE CAP	NO	NO	NO	YES	YES	YES			
E	CIRCUIT SIZE	MATERIAL No.	MATERIAL No.	MATERIAL No.	MATERIAL No.	MATERIAL No.	MATERIAL No.			
	3	171973-0003	171973-0103	171973-0203	171973-0603	171973-0703	171973-0803			
	4	171973-0004	171973-0104	171973-0204	171973-0604	171973-0704	171973-0804			
	5	171973-0005	171973-0105	171973-0205	171973-0605	171973-0705	171973-0805			
	6	171973-0006	171973-0106	171973-0206	171973-0606	171973-0706	171973-0806			
	7	171973-0007	171973-0107	171973-0207	171973-0607	171973-0707	171973-0807			
	8	171973-0008	171973-0108	171973-0208	171973-0608	171973-0708	171973-0808			
	9	171973-0009	171973-0109	171973-0209	171973-0609	171973-0709	171973-0809			
	10	171973-0010	171973-0110	171973-0210	171973-0610	171973-0710	171973-0810			
	11	171973-0011	171973-0111	171973-0211	171973-0611	171973-0711	171973-0811			
D	12	171973-0012	171973-0112	171973-0212	171973-0612	171973-0712	171973-0812			
	13	171973-0013	171973-0113	171973-0213	171973-0613	171973-0713	171973-0813			
	14	171973-0014	171973-0114	171973-0214	171973-0614	171973-0714	171973-0814			
	15	171973-0015	171973-0115	171973-0215	171973-0615	171973-0715	171973-0815			
	16	171973-0016	171973-0116	171973-0216	171973-0616	171973-0716	171973-0816			
	17	171973-0017	171973-0117	171973-0217	171973-0617	171973-0717	171973-0817			
	18	171973-0018	171973-0118	171973-0218	171973-0618	171973-0718	171973-0818			
	19	171973-0019	171973-0119	171973-0219	171973-0619	171973-0719	171973-0819			
	20	171973-0020	171973-0120	171973-0220	171973-0620	171973-0720	171973-0820			
	21	171973-0021	171973-0121	171973-0221	171973-0621	171973-0721	171973-0821			
C	22	171973-0022	171973-0122	171973-0222	171973-0622	171973-0722	171973-0822			
	23	171973-0023	171973-0123	171973-0223	171973-0623	171973-0723	171973-0823			
	24	171973-0024	171973-0124	171973-0224	171973-0624	171973-0724	171973-0824			
	25	171973-0025	171973-0125	171973-0225	171973-0625	171973-0725	171973-0825			



TUBE PACKED



TAPE AND REEL PACKED

SYMBOLS	THIS DRAWING CONTAINS INFORMATION THAT IS PROPRIETARY TO MOLEX ELECTRONIC TECHNOLOGIES, LLC AND SHOULD NOT BE USED WITHOUT WRITTEN PERMISSION											
	DIMENSION UNITS	SCALE	CURRENT REV DESC: REV PER QUAL									
	= 0	mm	2:1									
	= 0	GENERAL TOLERANCES (UNLESS SPECIFIED)		EC NO: 174679							SL VERT LCP HEADER ASSY SMT PRODUCT CUSTOMER DRAWING	
	= 0	ANGULAR TOL ± °		DRWN: KSAMIEC 2018/03/29								
	= 0	4 PLACES ±		CHK'D: MKIPPER 2018/04/09								
	= 0	3 PLACES ±		APPR: FSMITH 2018/04/11								
	= 0	2 PLACES ± 0.25		INITIAL REVISION:							DOCUMENT NUMBER	
	= 0	1 PLACE ± 0.36		DRWN: KSAMIEC 2016/07/13							1719730000-SD	
	= 0	0 PLACES ± 0.0		APPR: FSMITH 2016/07/15							PSD 000 C3	
= 0	DRAFT WHERE APPLICABLE MUST REMAIN WITHIN DIMENSIONS		THIRD ANGLE PROJECTION	DRAWING	SERIES	MATERIAL NUMBER	CUSTOMER	SHEET NUMBER				
= 0				B-SIZE	171973	SEE CHART	GENERAL MARKET	2 OF 2				