

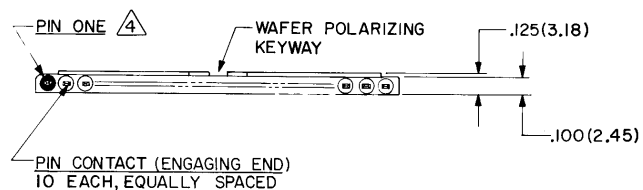
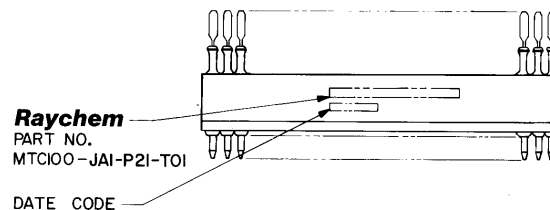
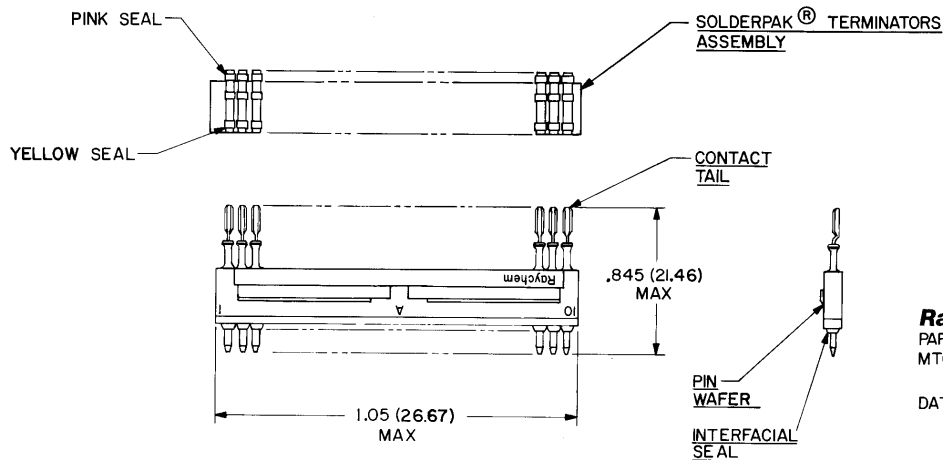
4

3

2

1

REVISIONS				
ZONE	LTR	DESCRIPTION	DATE	APPROVED
—	A	CHG'D PER DCO* T-02585	W.J. 1-22-81	<i>[Signature]</i>



5 WEIGHT (MAX.):  $\frac{\text{LBS.}}{.0047}$  |  $\frac{\text{GRAMS}}{2.12}$

4 PIN ONE: PIN NUMBER ONE MARKED IN CONTRASTING COLOR ON INTERFACIAL SEAL.

3. WAFER: WAFER MEETS THE REQUIREMENTS OF RAYCHEM SPECIFICATION D-6011.

2. FINISH:

- 2-A PIN WAFER: FINISH TO BE AS MOLDED.
- 2-B PIN CONTACT: GOLD PLATE PER MIL-G-45204, CLASS I.
- 2-C CONTACT TAIL: COATED WITH SOLDER PER QQ-S-571.

1. MATERIAL:

- 1-A PIN WAFER: HIGH GRADE POLYARYLENE THERMO-PLASTIC.
- 1-B PIN CONTACT: COPPER ALLOY PER QQ-B-613 OR QQ-C-502.
- 1-C INTERFACIAL SEAL: SILICONE ELASTOMER PER MIL-R-25988.
- 1-D SOLDERPAK® TERMINATORS ASSY: REFER TO RAYCHEM DWG. CTA-0026 FOR DATA.

#### NOTES

If this document is printed it becomes uncontrolled.  
Check with the web for latest revision.

DO NOT SCALE THIS DRAWING

© Raychem Corporation 1981

### SPECIFICATION CONTROL DRAWING

UNLESS OTHERWISE SPECIFIED DIMENSIONS ARE IN INCHES BRACKETED DIMENSIONS ( ) ARE METRIC AND TOLERANCES ARE:		DRAWN	W.V.J.	1-15-81	<b>Raychem</b> <small>RAYCHEM CORPORATION 300 LUMLEY STREET MENLO PARK, CALIF. 94025</small>
.XXX: ± .005 (0.13 M.M.)		CHECKED	<i>[Signature]</i>		
.XX: ± .02 (0.51 M.M.)		APPROVED	<i>[Signature]</i>		
Δ: ± —		APPROVED	<i>[Signature]</i>		
		APPROVED	<i>[Signature]</i>		
		SIZE	CODE IDENT	DWG. NO.	
		C	NO. 06090	MTC100-JAI-P2I-TOI	
		WEIGHT	5	SHEET	OF 1