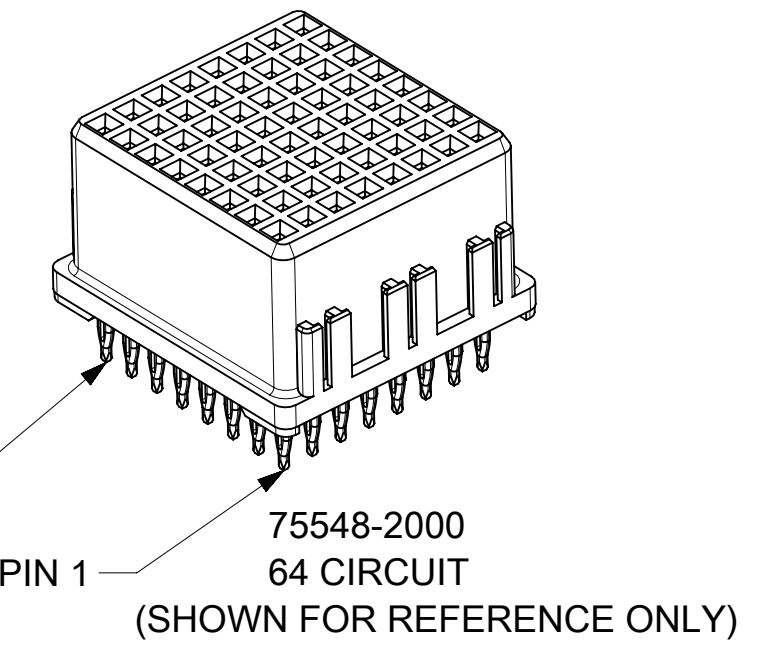
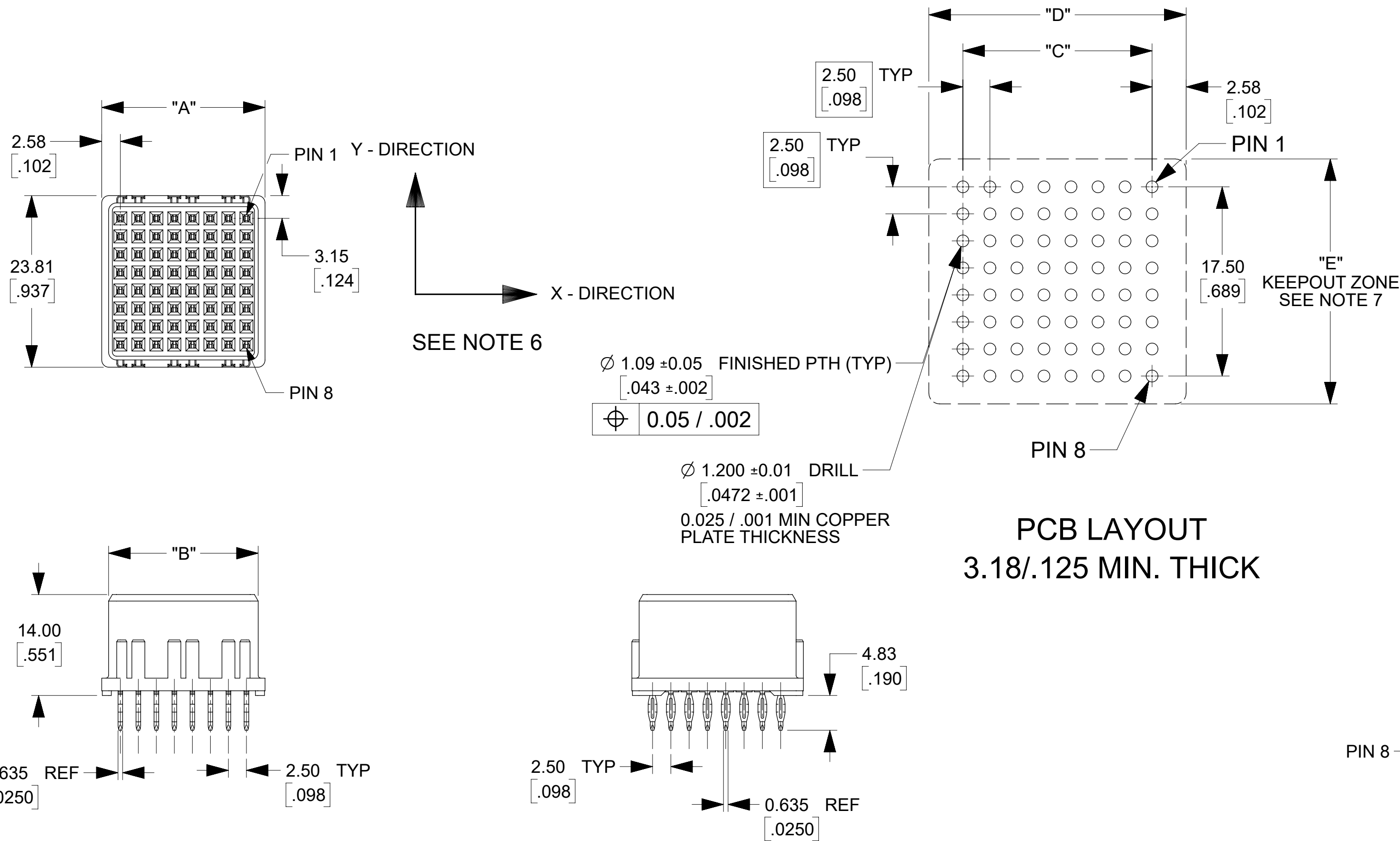


PART NUMBER	CIRCUIT SIZE	DIM "A"	DIM "B"	DIM "C"	DIM "D"	MATING MODULE	PLATING
75548-6000	64	22.66/.892	20.76/.817	17.50/.689	27.50/1.08	75568-1000	30μ IN MIN SELECT HARD GOLD IN CONTACT AREA WITH 100μ IN MIN SELECT TIN IN TAIL AREA OVER 50μ IN MIN NICKEL OVERALL
75548-6048	48	17.66/.695	15.26/.620	12.50/.492	22.50/.885	75568-1048	
75548-6040	40	15.16/.597	13.26/.522	10.00/.394	20.00/.787	75568-1040	
75548-6032	32	12.66/.498	10.76/.424	7.50/.295	17.50/.689	75568-1032	
75548-6024	24	10.16/.400	8.26/.325	5.00/.197	15.00/.590	75568-1024	

- NOTES:
- MATERIALS:
    - HOUSING: 30% GLASS FILLED, LCP 94V-0, COLOR: BLACK
    - TERMINALS: COPPER ALLOY
 PLATING: PER ES-88 - SEE CHART  
 LUBRICATION: EB1 IN CONTACT AREA
  - SEE CHART FOR REFERENCE DOCUMENTS
  - AVERAGE INSERTION FORCE INTO PCB IS 8.2 Kg/18 LBS PER TAIL
  - MODULE ASSEMBLY IS RoHS COMPLIANT
  - GATHERABILITY: ±0.65/.026 X-DIRECTION  
±1.30/.051 Y-DIRECTION
  - TERMINAL RETENTION INTO HOUSING 0.45 Kg/1.0 LB
  - KEEPOUT ZONE DIMENSION "E":
    - 25.00/.984 ON PCB SURFACE
    - 26.00/1.024 AT 3.50/1.38 ABOVE PCB SURFACE
    - 46.00/1.811 AT 9.00/.354 ABOVE PCB SURFACE
  - RECEPTACLE MATES WITH PLUG ASSEMBLY: 75568-5\*\*\*



REFERENCE DOCUMENTS	
PS-75431-999	PRODUCT SPECIFICATION: PERFORMANCE AND RATINGS
SD-75541-***	MODULE CONFIGURATION DRAWING
AS-75541-0000	APPLICATION SPECIFICATION

THIS DRAWING CONTAINS INFORMATION THAT IS PROPRIETARY TO MOLEX ELECTRONIC TECHNOLOGIES, LLC AND SHOULD NOT BE USED WITHOUT WRITTEN PERMISSION									
DIMENSION UNITS		SCALE		CURRENT REV DESC: OBSOLETE PART NUMBERS AS PER PCN#512384					
MM/IN		3:1		EC NO: 721306 DRWN: SCS02 CHK'D: GGA APPR: GGA INITIAL REVISION: DRWN: AD RATNOL APPR: APATEL DRAFT WHERE APPLICABLE MUST REMAIN WITHIN DIMENSIONS THIRD ANGLE PROJECTION DRAWING SERIES C-SIZE 75548					
GENERAL TOLERANCES (UNLESS SPECIFIED)									
4 PLACES ±		±		2018/12/21		DOCUMENT NUMBER			
3 PLACES ±		± 0.008		2022/10/18		SD-75548-100		DOC TYPE DOC PART REVISION	
2 PLACES ±		0.2 ± 0.013		2022/10/18		PSD 001 B1			
1 PLACE ±		0.33 ±							
0 PLACES ±		±							
ANGULAR TOL ±		0.5 °							
MATERIAL NUMBER		CUSTOMER		SHEET NUMBER					
SEE CHART		GENERAL MARKET		1 OF 1					