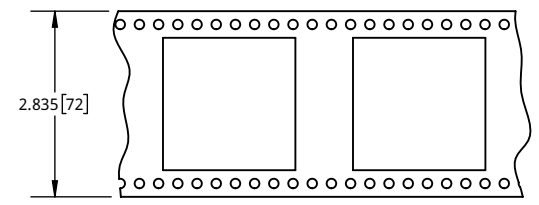
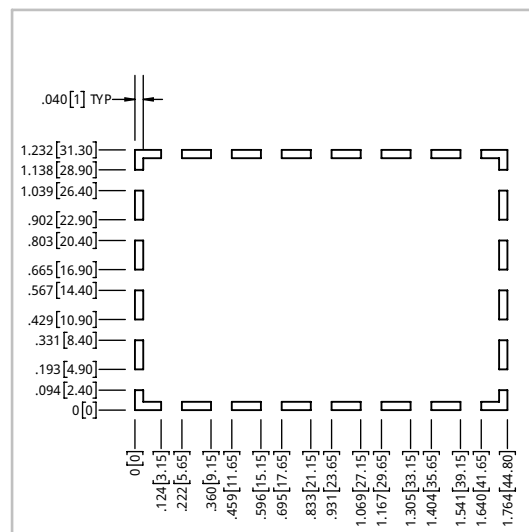
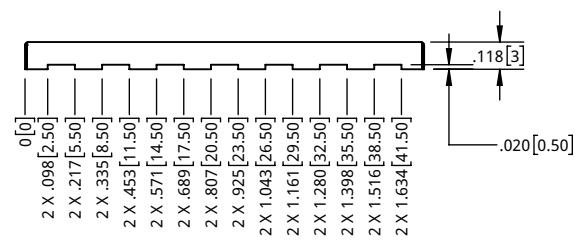
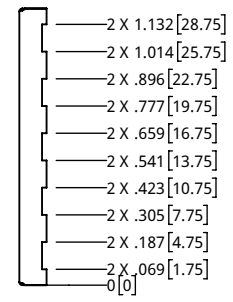
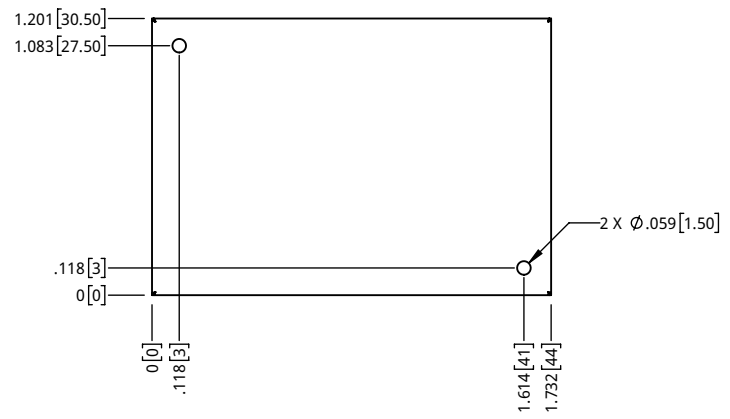
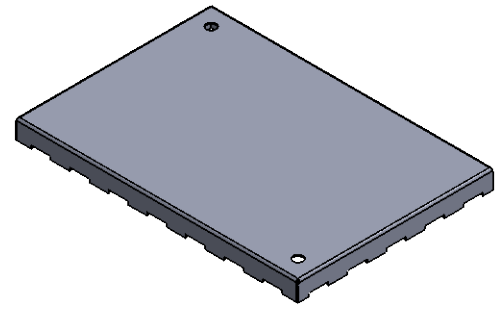


NOTES:

1. MATERIAL: 0.008" TIN PLATED STEEL PER ASTM A623/A624
2. PARTS PER REEL: 250



TAPE AND REEL

PC B FOOTPRINT

PROPRIETARY NOTICE: THESE DRAWINGS, LISTS OR SPECIFICATIONS ARE THE CONFIDENTIAL INFORMATION AND/OR TRADE SECRETS OF 3G SHIELDING SPECIALTIES, P.C. AND SHALL REMAIN THE PROPERTY OF 3G SHIELDING SPECIALTIES, P.C. WITHOUT REGARD TO ANY OTHER RIGHTS. THESE DRAWINGS, LISTS OR SPECIFICATIONS SHALL NOT BE REPRODUCED, TRANSMITTED, USED FOR THE PHYSICAL MANUFACTURE OR SALE OF EQUIPMENT OR LISTED FOR ANY OTHER PURPOSE WITHOUT THE WRITTEN PERMISSION OF 3G SHIELDING SPECIALTIES, P.C.

UNLESS OTHERWISE SPECIFIED
U/M TOLERANCE ±0.005
INCHES

ROHS COMPLIANCE
2011/65/EU

DATE 16-01-26



PART NUMBER PIC-S-110	REV. 0
DESCRIPTION SHIELD CAN	
SCALE 1.2:1	SHEET 1 OF 1