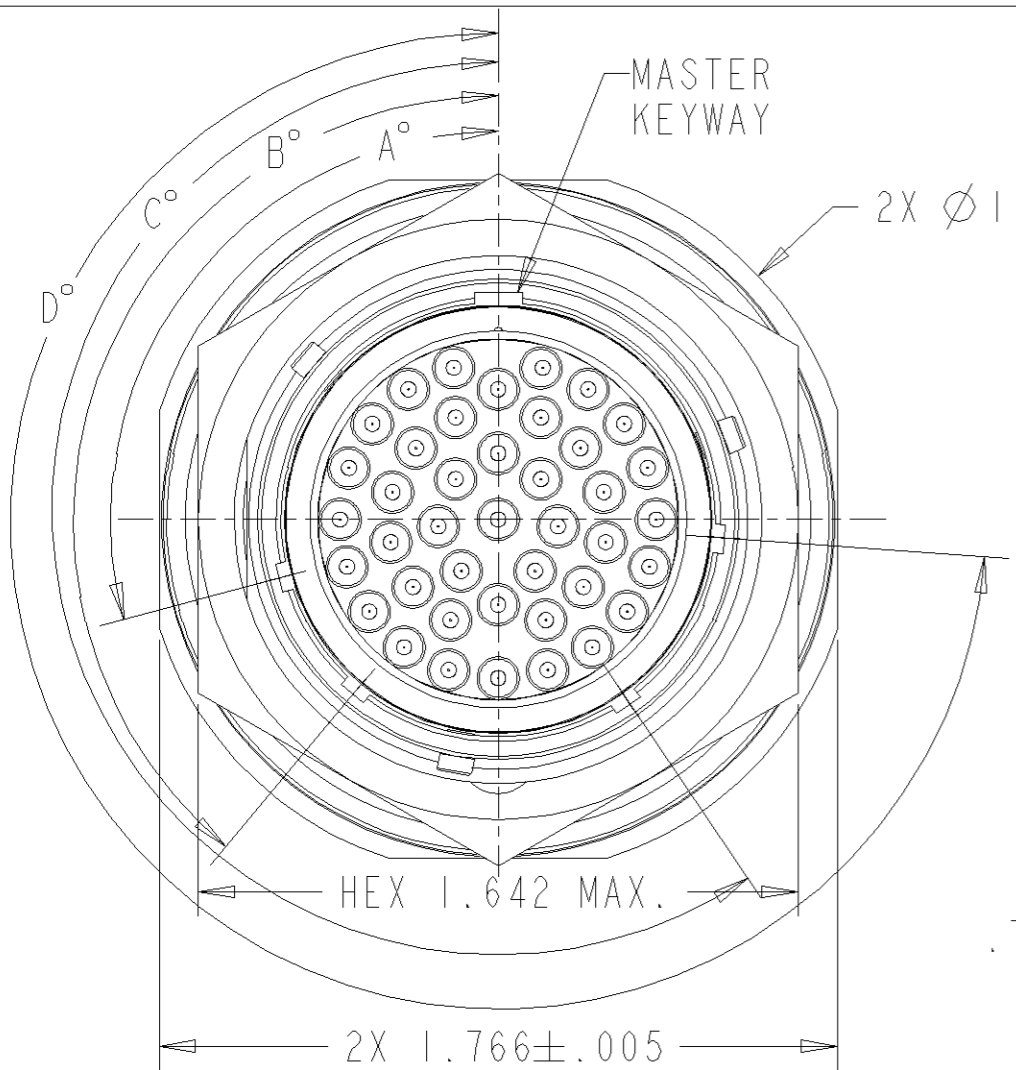


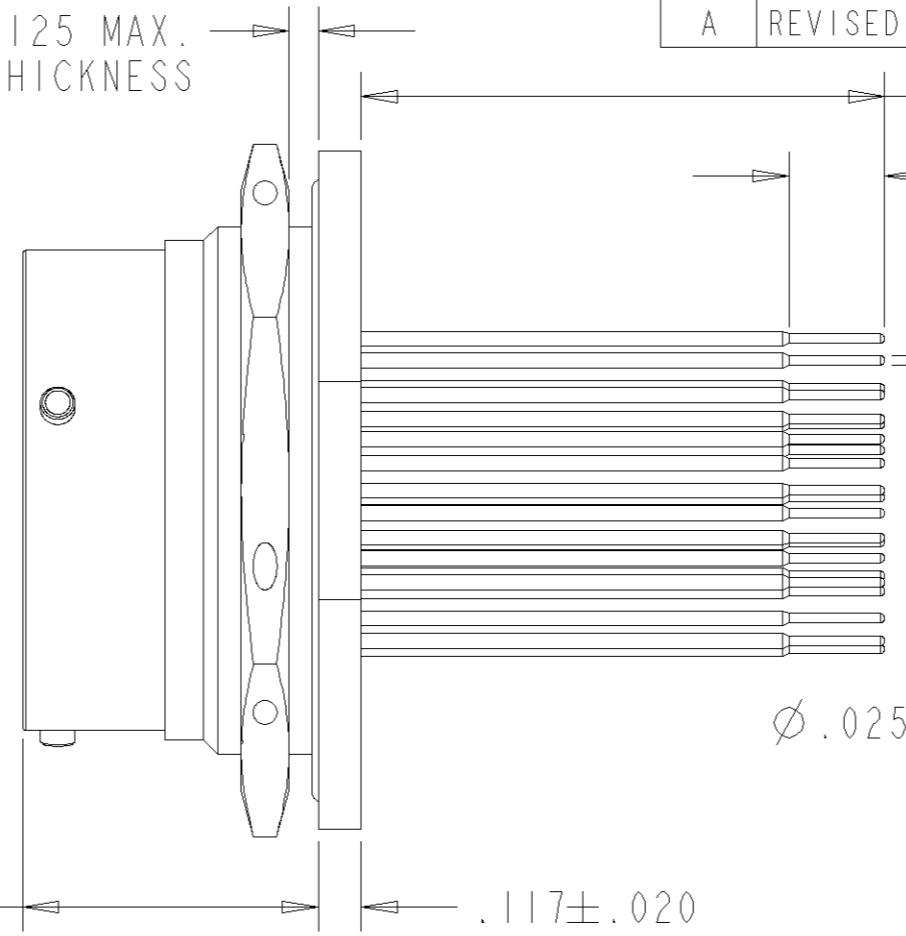
REVISIONS			
REV	DESCRIPTIONS	DATE	APPROVED
N/C	NEW RELEASE PER E.O.H4307	11/13/06	M.A.
A	REVISED PER E.O. D0267	120913	J.P.F.



.125 MAX.
PANEL THICKNESS

2X Ø 1.860 MAX.

.781 MAX.

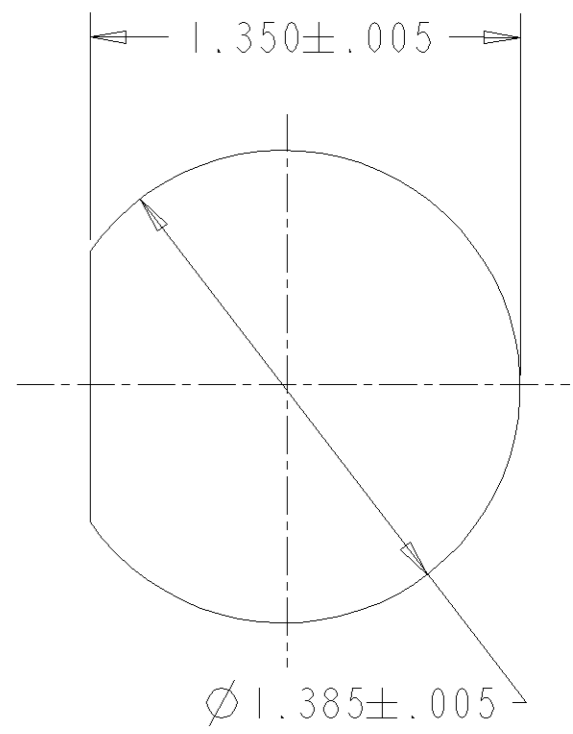


1.363 ± .030 TYP

.250 ± .010 TYP

Ø .025 ± .002 TYP

.117 ± .020



RECOMMENDED MOUNTING HOLE

1. DIMENSIONS ARE IN INCHES UNLESS OTHERWISE SPECIFIED.

2. INSERT ARRANGEMENT PER MIL-STD-1554.

3. LEAK RATE: < 1E-8 cc/sec He @ 1 atm.

4. INSULATION RESISTANCE: > 5000 MEGOHM @ 500 VDC

DIELECTRIC WITHSTANDING VOLTAGE: NO BREAKDOWN @ 1800 VAC

5. MATERIAL:

SHELL - MILD STEEL

(A) JAM NUT - MILD STEEL

INSULATOR - GLASS INSERT

CONTACT - 52 HIGH NICKEL-IRON ALLOY

INTERFACIAL SEAL - SILICONE

O-RING - SILICONE

6. FINISH:

SHELL - TIN OVER NICKEL PLATING

CONTACT - GOLD OVER NICKEL


NOTE(S):

DEUTSCH P/N *	POS.	A°	B°	C°	D°
94671-20-41PN	N	105	140	215	265
94671-20-41P6	6	18	149	192	259
94671-20-41P7	7	92	152	222	342
94671-20-41P8	8	84	152	204	334
94671-20-41P9	9	24	135	199	240
94671-20-41PY	Y	98	152	268	338

FILE: 94671-20-41PX-ENV

	SIGNATURE & DATE
DR	S.LUI 11/10/06
CHK	M.ALLEN 11/13/06
PE	A.RENGIFO 11/13/06
APPD	A. RENGIFO 120917
SCALE:	2:1

RECEPTACLE
JAM NUT MOUNTING
BAYONET COUPLING
HERMETIC
MIL-C-83723 TYPE
W/ REDUCED DIA. PINS
ENVELOPE

CP	MATL CODE 74
DEUTSCH ENGINEERED INTERCONNECT SOLUTIONS  250 Eddie Jones Way Oceanside, CA 92058	
B	94671-20-41P*
DWG SIZE	CAGE CODE 11139 SHEET 1 OF 1