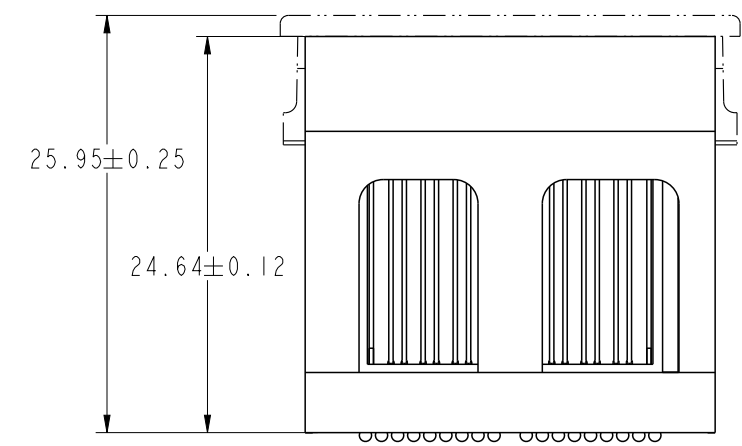
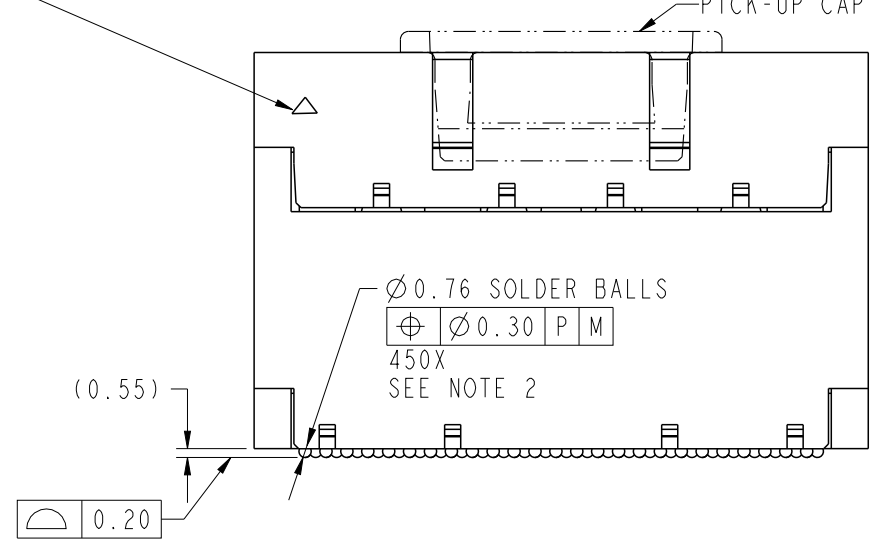
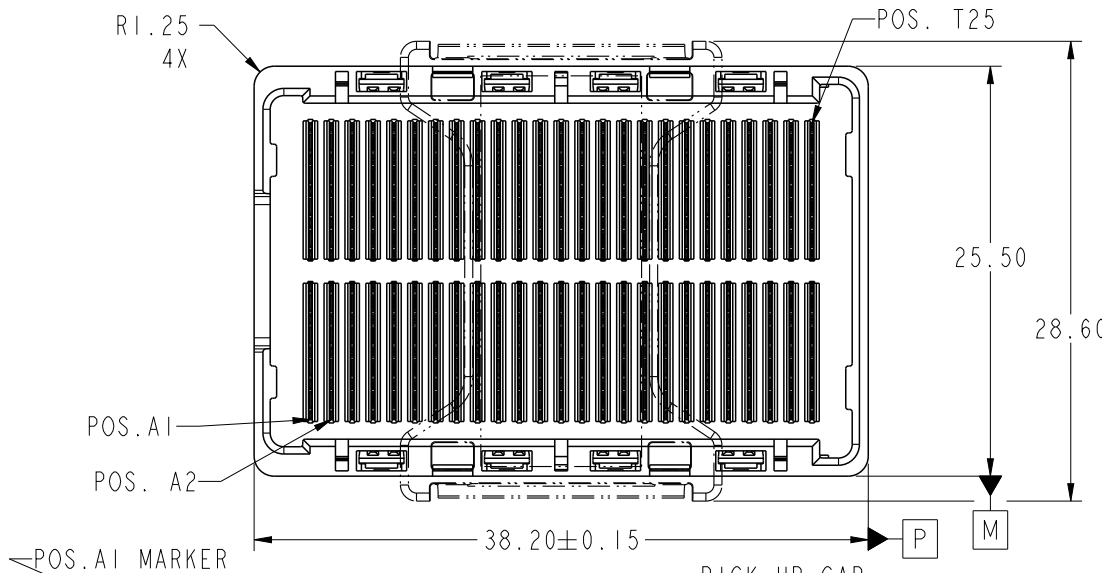


rev	ecn no	dr	date
A	V05-0335	TAB	2005-04-19
B	V06-0239	LP	2006-03-27
C	V06-0558	LP	2006-06-21
D	V08-0329	SM	2008-11-15



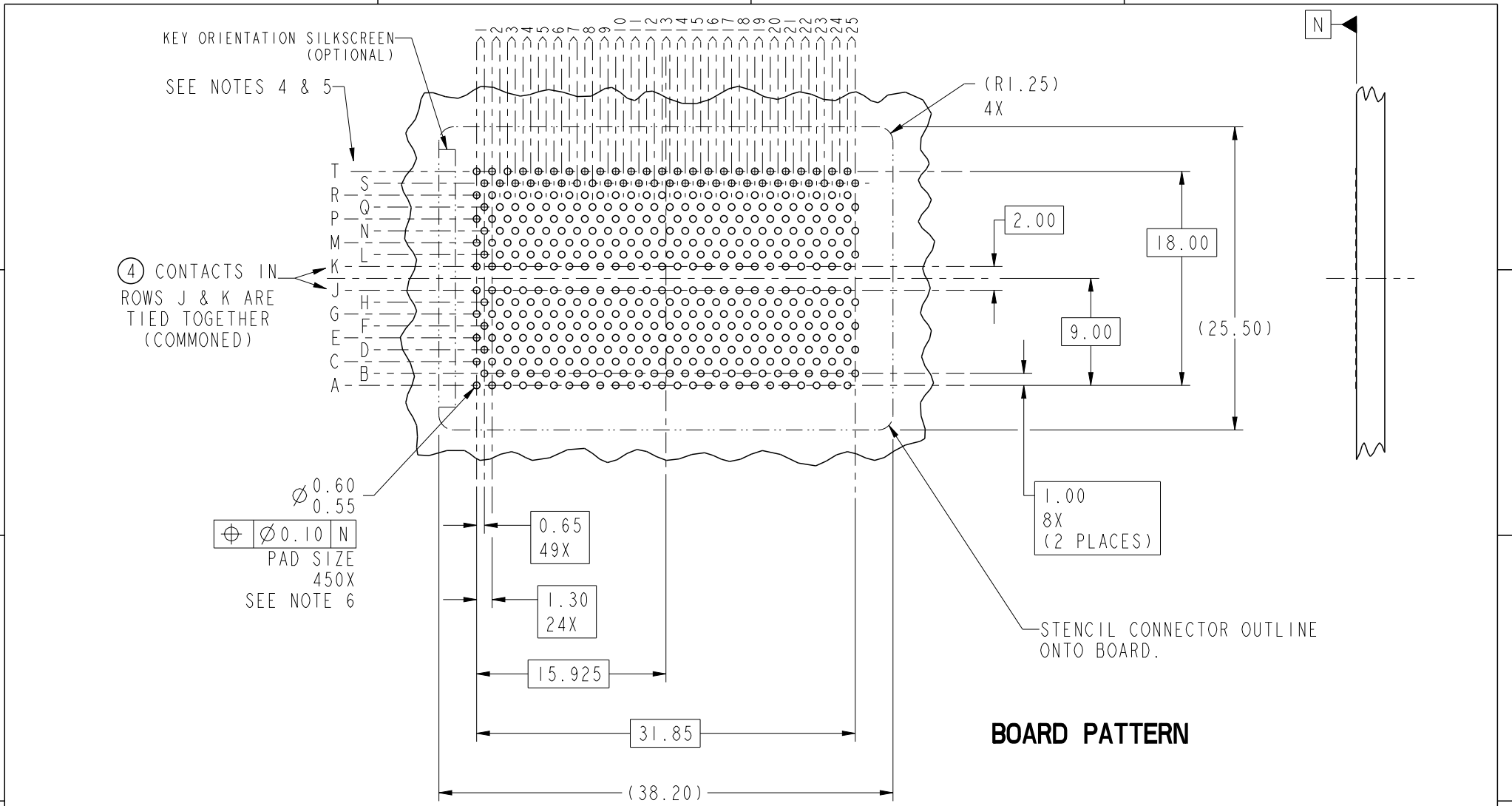
FCI
 Copyright FCI.

spec ref	*	dr	Bill Lin	2010/02/02	projection	mm	size	A4	scale	1:1										
tolerance std	ASME Y14.5	eng	Nickor Zuo	2011/05/26			ecn no	ELX-DG-003943-1												
	TOLERANCES UNLESS OTHERWISE SPECIFIED	chr	Alex Cao	2011/06/24				rel level	Released											
surface	<table border="1"> <tr> <td>linear</td> <td>0.X</td> <td>±0.30</td> </tr> <tr> <td></td> <td>0.XX</td> <td>±0.10</td> </tr> <tr> <td></td> <td>0.XXX</td> <td>±0.05</td> </tr> <tr> <td>angular</td> <td>0°</td> <td>±2°</td> </tr> </table>	linear	0.X	±0.30		0.XX	±0.10		0.XXX	±0.05	angular	0°	±2°	appr	Pei-Ming Zheng	2011/06/27	product family	GIG-Array		
linear	0.X	±0.30																		
	0.XX	±0.10																		
	0.XXX	±0.05																		
angular	0°	±2°																		
			GIG-Array 25mm PLUG ASSY. 200 SIG. POS.			product family	10054783													
		www.fci.com	cat. no.	*	Product - Customer Drw			sheet 1 of 5												

PrdE File - REV C - 2009-06-09



Copyright FCI.



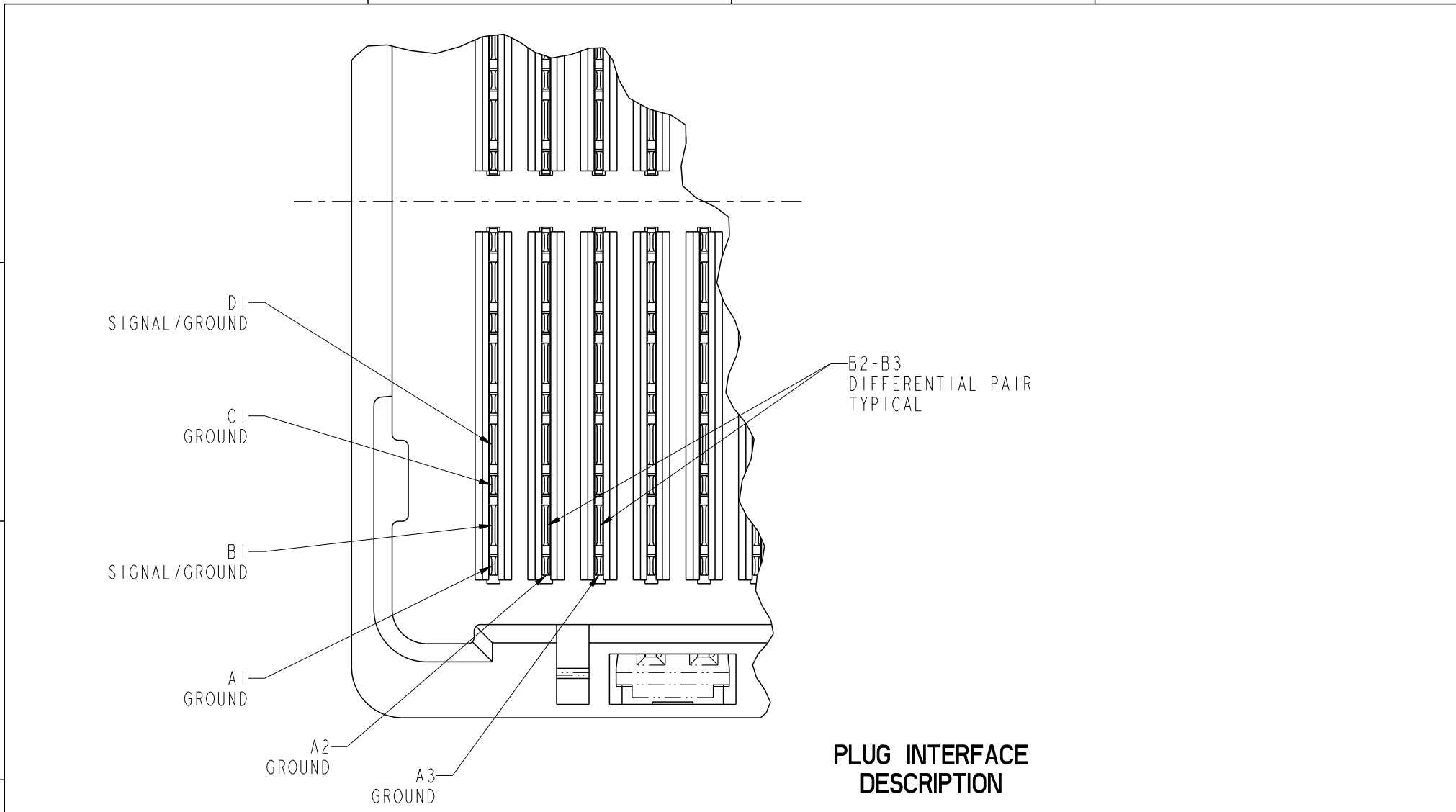
BOARD PATTERN

spec ref	*	dr	Bill Lin	2010/02/02	projection	mm	size	A4	scale	1:1
tolerance std	ASME Y14.5	eng	Nickor Zuo	2011/05/26			ecn no		ELX-DG-003943-1	
TOLERANCES UNLESS OTHERWISE SPECIFIED		chr	Alex Cao	2011/06/24			rel level		Released	
surface	✓	appr	Pei-Ming Zheng	2011/06/27			product family		GIG-Array	
	linear				title		GIG-Array		dwg no	
					25mm PLUG ASSY. 200 SIG. POS.		10054783		rev	
	angular				cat. no.		Product - Customer Drw		sheet 2 of 5	
					www.fci.com				E	

PrdE File - REV C - 2009-06-09



Copyright FCI.

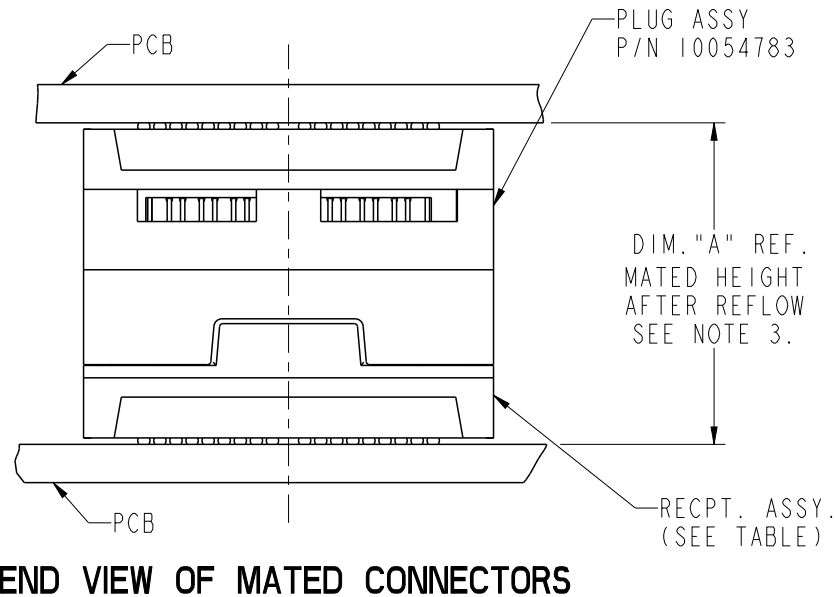
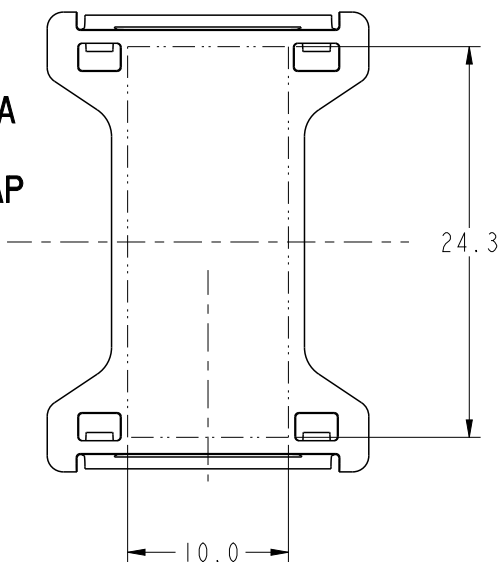


PLUG INTERFACE DESCRIPTION

spec ref	*	dr	Bill Lin	2010/02/02	projection	mm ←→	size	A4	scale	1:1	
tolerance std	TOLERANCES UNLESS OTHERWISE SPECIFIED	eng	Nickor Zuo	2011/05/26			ecn no	ELX-DG-003943-1			
ASME Y14.5		chr	Alex Cao	2011/06/24				product family	GIG-Array	rel level	Released
-		appr	Pei-Ming Zheng	2011/06/27	product family		GIG-Array	rel level	Released		
surface	✓	linear	0.X	±0.30		title	GIG-Array		dwg no	10054783	rev
-			0.XX	±0.10			25mm PLUG ASSY. 200 SIG. POS.				
		angular	0°	±2°	www.fci.com	cat. no.	*	Product - Customer Drw		sheet 3 of 5	

PreE File - REV C - 2009-06-09

FLAT AREA
FOR
PICK-UP CAP



DIM. "A"	RECPT. ASSY. P/N
30	55740
35	10026010
40	55741

NOT TOOLED

spec ref	*	dr	Bill Lin	2010/02/02	projection	mm	size	A4	scale	1:1	
tolerance std	TOLERANCES UNLESS OTHERWISE SPECIFIED	eng	Nickor Zuo	2011/05/26			ecn no	ELX-DG-003943-1			
ASME Y14.5		chr	Alex Cao	2011/06/24				product family	GIG-Array		
-		appr	Pei-Ming Zheng	2011/06/27		rel level			Released		
surface	✓	linear	0.X	±0.30		title	GIG-Array	dwg no	10054783	rev	E
			0.XX	±0.10							
			0.XXX	±0.05							
	angular	0°	±2°	www.fci.com	cat. no.	*	Product - Customer Drw		sheet 4 of 5		

PRODUCT NUMBER	SOLDER BALL COMPOSITION	CONTACT PLATING PERFORMANCE LEVEL
10054783-001	STANDARD (EUTECTIC)	PERFORMANCE-BASED PLATING, QUALIFIED TO MEET THE REQUIREMENTS OF FCI PRODUCT SPECIFICATION GS-12-192, INCLUDING TELCORDIA CENTRAL OFFICE
10054783-001LF	LEADFREE	

NOTES:

- ① MAT'L:
HOUSING: LCP
CONTACT: COPPER ALLOY
PLATING (CONTACT): Au OVER Ni.
UL RATING: 94 V-0
SOLDER BALL: (SEE TABLE) EUTECTIC SnPb OR LEADFREE 95.5 Sn/4Ag/0.5Cu
- ② SOLDER BALLS WILL NOT BE PERFECT SPHERICAL SHAPE DUE TO REFLOW ATTACHMENT.
- ③ MATED HEIGHT EFFECTED BY CUSTOMERS' PCB PAD SIZE, PLATING, SOLDER REFLOW PROFILE & SOLDER PASTE.
- ④ CONTACTS IN ROWS A,C,E,G,J,K,M,P,R AND T ARE SINGLE BEAM CONTACTS, TYPICALLY USED AS GROUND PINS. (NOTE: CONTACTS IN ROWS J & K ARE TIED TOGETHER [COMMONED])
- ⑤ CONTACTS IN ROWS B,D,F,H,L,N,Q AND S ARE DUAL BEAM CONTACTS, TYPICALLY USED AS SIGNAL PINS.
- ⑥ SPECIFIED POSITIONAL TOLERANCE DEFINES PAD TO PAD LOCATION WITHIN LAND PATTERN. POSITIONAL TOLERANCE OF LAND PATTERN TO FUDICIAL MARKS OR PCB DATUMS SHALL BE DEFINED BY CUSTOMER. FOR RECOMMENDED PRODUCT APPLICATION AND PCB DESIGN DETAILS, SEE DOC. NO. GS-20-016.
- ⑦ FOR PROPER APPLICATION FOLLOW FCI APPLICATION SPECIFICATION GS-20-033 LEADFREE SOLDER BALLS WILL NOT SOLDER PROPERLY IN A LEADED SOLDER PROCESS DUE TO A HIGHER REFLOW TEMPERATURE, LEADFREE PRODUCT IS THEREFORE NOT BACKWARDS COMPATIBLE WITH LEADED OR SOME SOLDERING APPLICATIONS, REFERENCE FCI APPLICATION SPECIFICATION.
- ⑧ THIS PRODUCT MEETS THE EUROPEAN UNION DIRECTIVES AND OTHER COUNTRY REGULATIONS AS DESCRIBED IN GS-22-008 PRODUCT MEETING THIS DIRECTIVE IS IDENTIFIED IN HTE LOT CODE NUMBER MARKED ON EACH PART BY HAVING AN "X" IN THE SEVENTH CHARACTER POSITION.



Copyright FCI.

spec ref	*	dr	Bill Lin	2010/02/02	projection	mm	size	A4	scale	1:1			
tolerance std	TOLERANCES UNLESS OTHERWISE SPECIFIED	eng	Nickor Zuo	2011/05/26			ecn no	ELX-DG-003943-1					
ASME Y14.5		chr	Alex Cao	2011/06/24				product family	GIG-Array	rel level	Released		
-		appr	Pei-Ming Zheng	2011/06/27							surface	linear	0.X
surface	linear	0.XX	±0.10	title	GIG-Array	dwg no	10054783	rev	E				
-	angular	0°	±2°							25mm PLUG ASSY. 200 SIG. POS.	Product - Customer Drw	STATUS:Released	Printed: Jun 27, 2011