



PART NAME

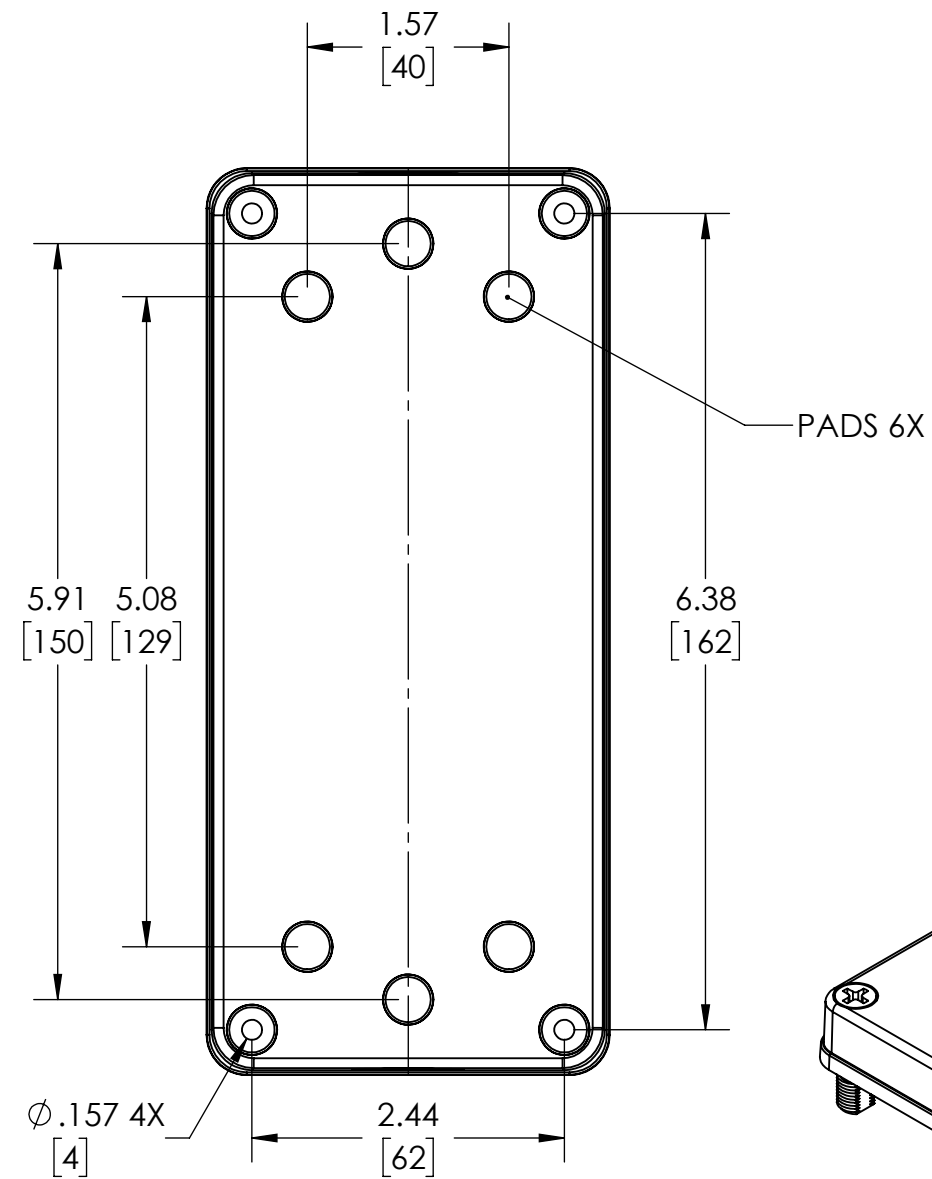
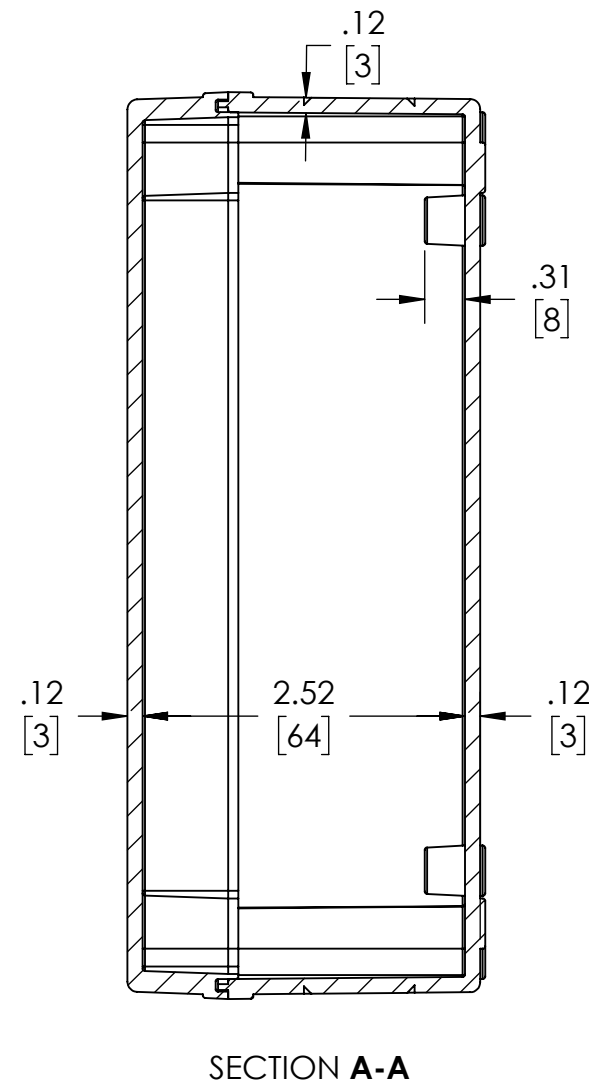
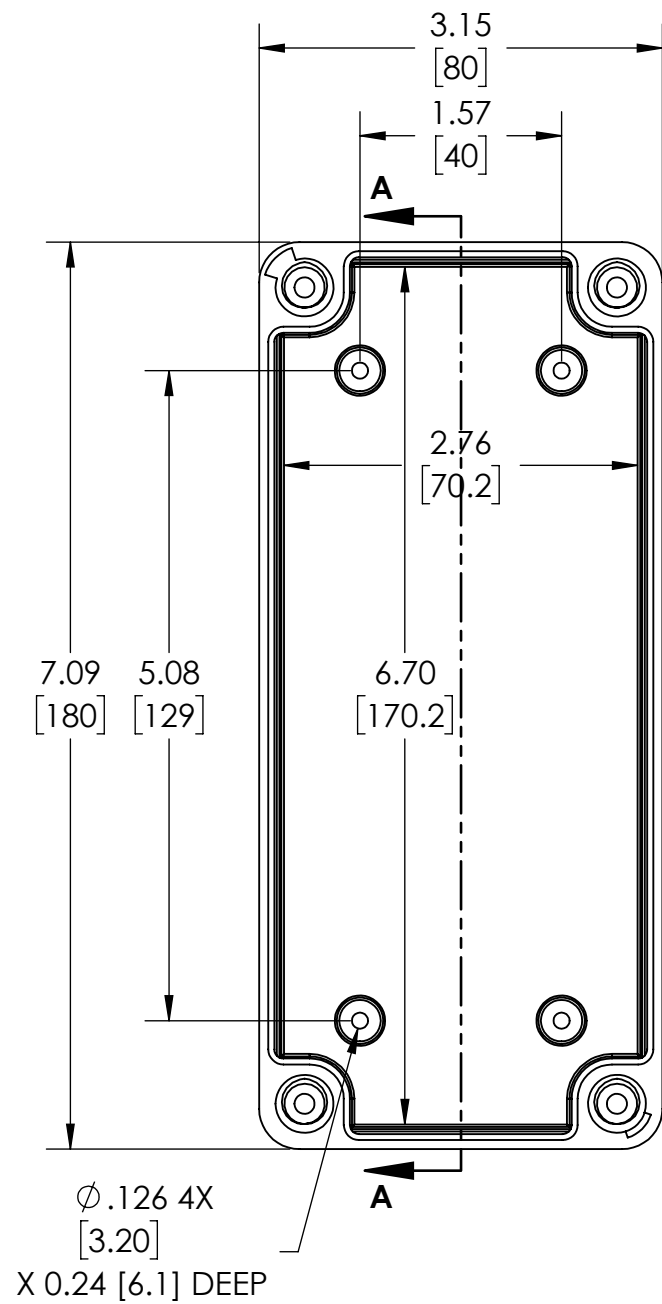
NEMA 4X PLASTIC BOX (PTK SERIES)

PART No.

PTK-18424 & PTK-18424-C

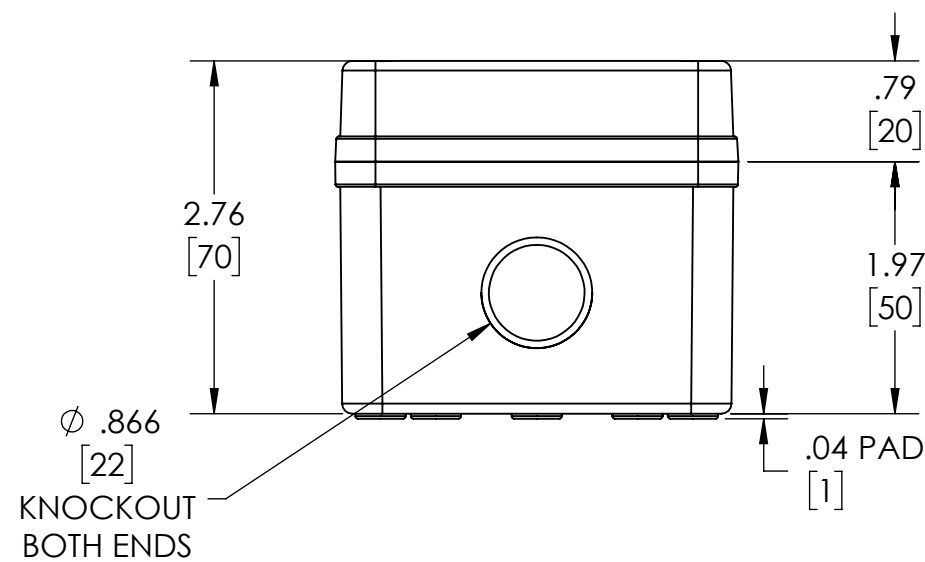
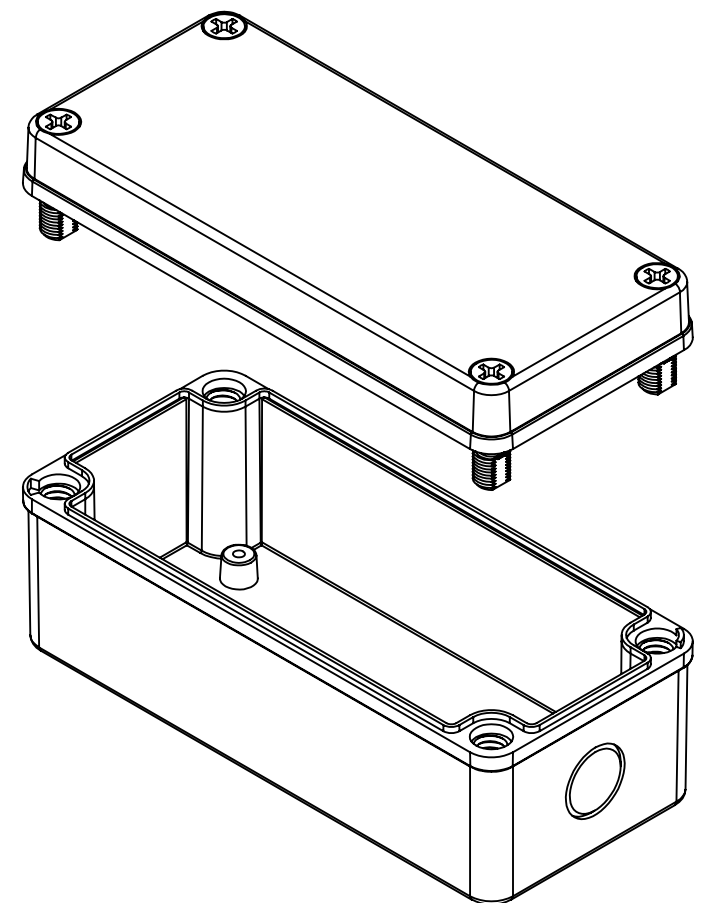
REVISION DATE

10-11-17



**DRAWING FOR REFERENCE**  
 WE RESERVE THE RIGHT TO MAKE CHANGES TO OUR STANDARD PRODUCTS. PLEASE CONSULT WITH BUD INDUSTRIES PRIOR TO USING THIS DRAWING FOR DESIGN PURPOSE.

PADS 6X



NOTES:

- 1- MATERIAL: BODY - GRAY POLYCARBONATE RESIN 10% GLASS FIBER FILLED  
COVER - GRAY OR CLEAR (-C SUFFIX) POLYCARBONATE
- 2- UL508 / NEMA TYPE 4X & TYPE 6 WITH IP-67 TUV RATING & UL-94 5VA
- 3- CONTINUOUS POURED FOAM GASKET IN COVER
- 4- COVER ATTACHES WITH NON-METALLIC CAPTIVE SCREWS
- 5- INTERNAL BOSSES WILL ACCEPT M4x0.7 x 6mm LG. THREAD FORMING SCREWS FOR ATTACHING AN INTERNAL PANEL OR PCB (NOT SUPPLIED)
- 6 - DIMENSIONS ARE INCH [MM]

OPTIONAL ACCESSORIES:

- INTERNAL STEEL PANEL #
- MOUNTING BRACKET KIT (STAINLESS STEEL) - #NBX-10922
- MOUNTING BRACKET KIT (PLASTIC) #PIX-4117