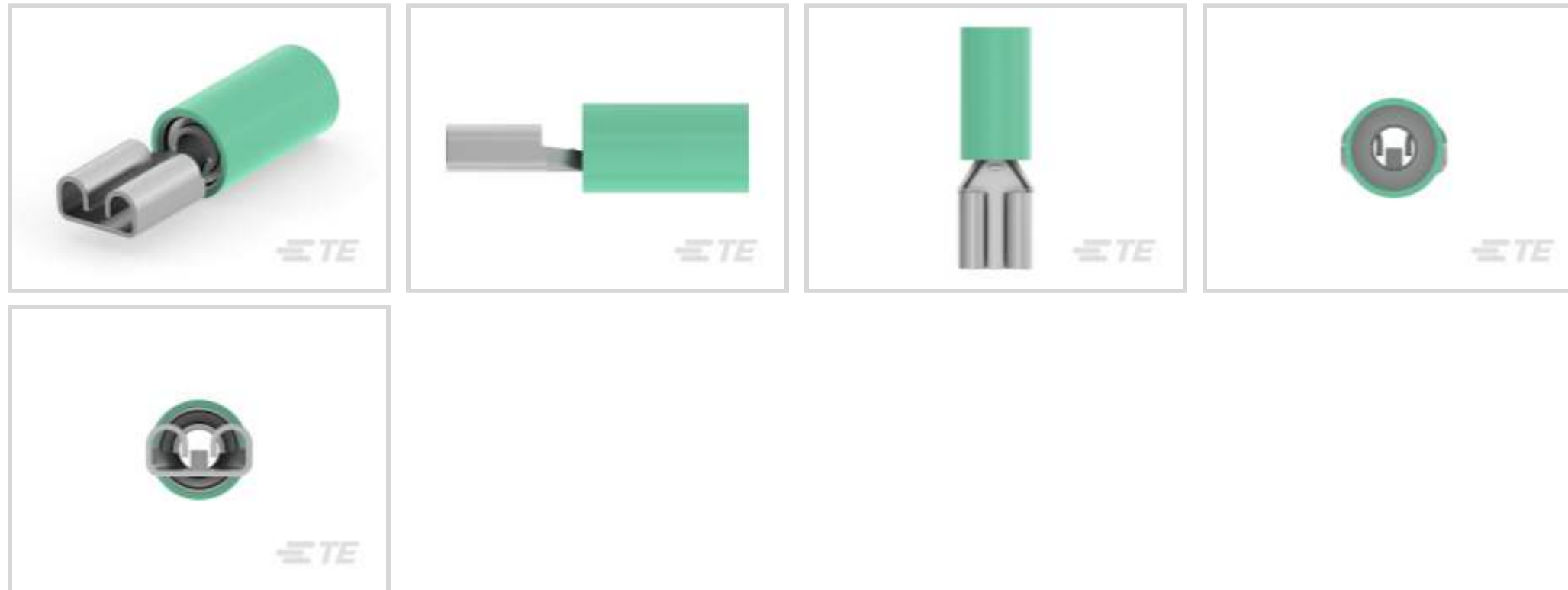




Terminals & Splices > Quick Disconnects



Quick Disconnect Terminal Type: **Receptacle**

Wire Size: **4107 – 6530 CMA**

Mating Tab Width: **6.35 mm [.25 in]**

Features

Product Type Features

Terminal Features	Wire Stop
Insertion Force	Normal

Configuration Features

Connection Capacity	Single
---------------------	--------

Electrical Characteristics

Voltage Rating	300 V
----------------	-------

Body Features

Insulation Material	Nylon
---------------------	-------

Contact Features

Quick Disconnect Terminal Type	Receptacle
Mating Tab Width	6.35 mm [.25 in]
Mating Tab Thickness	.81 mm [.032 in]
Terminal Orientation	Straight
Contact Base Material	Brass
Terminal Plating Material	Tin



Crimp Type	Compression
------------	-------------

Barrel Type	Closed
-------------	--------

Termination Features

Product Terminates To	Wire & Cable
-----------------------	--------------

Mechanical Attachment

Wire Insulation Support	With
-------------------------	------

Mating Retention Type	Dimple
-----------------------	--------

Dimensions

Terminal Material Thickness	.46 mm[.018 in]
-----------------------------	-----------------

Product Length	25.7 mm[1.012 in]
----------------	-------------------

Compatible Insulation Diameter Range	6.35 mm[.25 in]
--------------------------------------	-----------------

Wire Size	4107 – 6530 CMA
-----------	-----------------

Usage Conditions

Insulation Option	Partially Insulated
-------------------	---------------------

Operating Temperature Range	105 °C[221 °F]
-----------------------------	----------------

Packaging Features

Packaging Quantity	100
--------------------	-----

Packaging Method	Loose Piece
------------------	-------------

Other

Barrel Color	Green
--------------	-------

Product Compliance

[For compliance documentation, visit the product page on TE.com>](#)

EU RoHS Directive 2011/65/EU	Compliant
------------------------------	-----------

EU ELV Directive 2000/53/EC	Compliant
-----------------------------	-----------

China RoHS 2 Directive MIIT Order No 32, 2016	No Restricted Materials Above Threshold
---	---

EU REACH Regulation (EC) No. 1907/2006	Current ECHA Candidate List: JUNE 2023 (235) Candidate List Declared Against: JAN 2023 (233) Does not contain REACH SVHC
--	--

Halogen Content	Low Halogen - Br, Cl, F, I < 900 ppm per homogenous material. Also BFR/CFR/PVC Free
-----------------	---



Solder Process Capability

Not applicable for solder process capability

Product Compliance Disclaimer

This information is provided based on reasonable inquiry of our suppliers and represents our current actual knowledge based on the information they provided. This information is subject to change. The part numbers that TE has identified as EU RoHS compliant have a maximum concentration of 0.1% by weight in homogenous materials for lead, hexavalent chromium, mercury, PBB, PBDE, DBP, BBP, DEHP, DIBP, and 0.01% for cadmium, or qualify for an exemption to these limits as defined in the Annexes of Directive 2011/65/EU (RoHS2). Finished electrical and electronic equipment products will be CE marked as required by Directive 2011/65/EU. Components may not be CE marked. Additionally, the part numbers that TE has identified as EU ELV compliant have a maximum concentration of 0.1% by weight in homogenous materials for lead, hexavalent chromium, and mercury, and 0.01% for cadmium, or qualify for an exemption to these limits as defined in the Annexes of Directive 2000/53/EC (ELV). Regarding the REACH Regulation, the information TE provides on SVHC in articles for this part number is based on the latest European Chemicals Agency (ECHA) 'Guidance on requirements for substances in articles' posted at this URL: <https://echa.europa.eu/guidance-documents/guidance-on-reach>

Compatible Parts



TE Part # 2323802-2
SSRMP-240D16 = Mini Puck, 16A, 240V AC



TE Part # 2323802-8
SSRMP-240D16R = Mini Puck, 16A, 240V AC,R



TE Part # 2323802-5
SSRMP-480D16 = Mini Puck, 16A, 480V AC




TE Part # 1-2323802-2
SSRMP-480D16R = Mini Puck, 16A, 480V AC,R

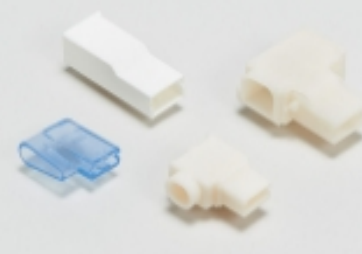


TE Part # 90246-1
HHTH PIDG FASTON 14-12 ASSY


Also in the Series | FASTON 250



Compression Connectors(4)



Crimp Terminal Housings(142)



Insertion & Extraction Tools(6)



Magnet Wire Terminals(1)



PCB Terminals(135)

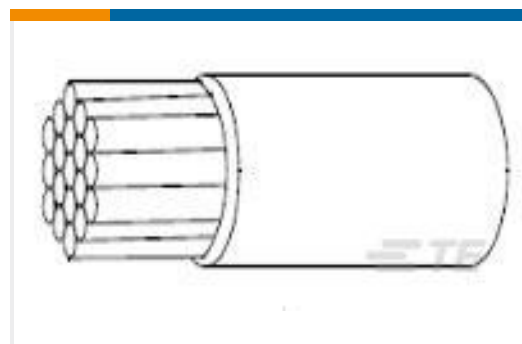
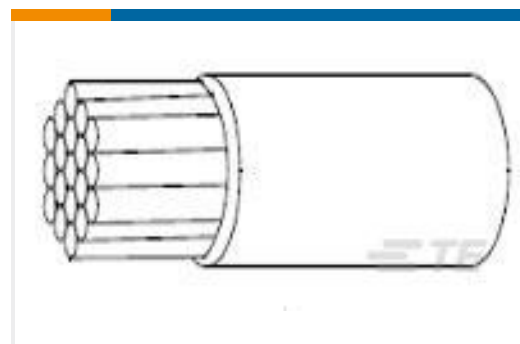


Quick Disconnects(445)



Splices(4)

Customers Also Bought

TE Part #1393774-8
V23026A1002B201TE Part #50836
TERMINAL,PIDG PTFE R 18-16 8TE Part #3-794680-2
02P MICRO MNL ASSY,VRT,THRU LFTE Part #3-794680-8
08P MICRO MNL ASSY,VRT,THRU LFTE Part #216250-000
55A0111-12-1TE Part #216254-000
55A0111-14-0TE Part #7-1437651-0
6PCR-03-1224=6PCR ASSEMBLYTE Part #1-2176341-8
CRGCO 0805 270R 1%TE Part #2-320863-2
TERMINAL,PIDG SPD FLG 16-14 10TE Part #449582-000
VERSAFIT-MINI-SPL-3/4-BK

Documents

Product Drawings

[RECEPT,PIDG FASTON 14-12 250](#)

English

CAD Files

[3D PDF](#)

3D

Customer View Model

[ENG_CVM_CVM_8-42844-1_AU.2d_dxf.zip](#)



English

Customer View Model

[ENG_CVM_CVM_8-42844-1_AU.3d_igs.zip](#)

English

Customer View Model

[ENG_CVM_CVM_8-42844-1_AU.3d_stp.zip](#)

English

[3D PDF](#)

English

Customer View Model

[ENG_CVM_8-42844-1_Z.2d_dxf.zip](#)

English

Customer View Model

[ENG_CVM_8-42844-1_Z.3d_igs.zip](#)

English

Customer View Model

[ENG_CVM_8-42844-1_Z.3d_stp.zip](#)

English

By downloading the CAD file I accept and agree to the [Terms and Conditions](#) of use.

Product Specifications

[Application Specification](#)

English

Agency Approvals

[CSA Certificate](#)

English