

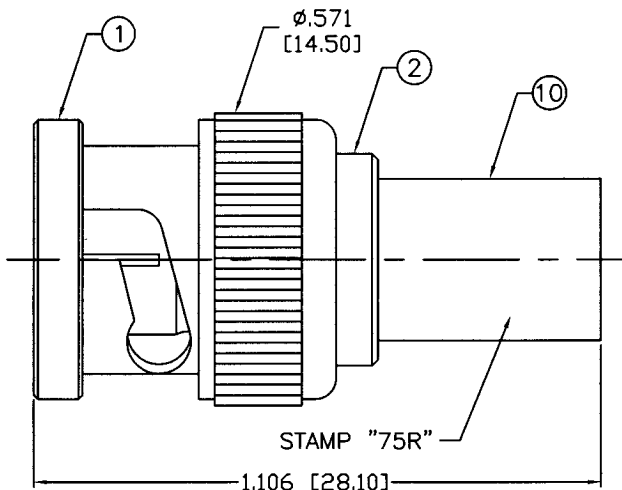
THIS DRAWING CONTAINS INFORMATION PROPRIETARY TO RF INDUSTRIES.  
 ANY UNAUTHORIZED USE OF THIS DRAWING IS EXPRESSLY PROHIBITED  
 WITHOUT WRITTEN PERMISSION FROM RF INDUSTRIES.  
 ANY VIOLATION IS PUNISHABLE UNDER U.S. COPYRIGHT LAWS.

ALL DIMENSIONS ARE REFERENCE ONLY

PART NO.

**RFB-1750**

REV	DESCRIPTION	DWN	DATE	APPROVED
A	ENGINEERING RELEASE	CZS	7/23/98	R. RICE
B	CHANGE FORMAT, SPECS & DWG. # 8940	GGG	3/28/02	JDMc



**SPECIFICATIONS:**

IMPEDANCE: 75 Ohms  
 RESISTOR: .5 WATT  $\pm 5\%$   
 TEMPERATURE RANGE:  $-65^{\circ}\text{C}$  TO  $85^{\circ}\text{C}$   
 INSULATION RESISTANCE: 5k M Ohms min.  
 50 Ohm INTERFACE

1	SHELL	1	BRASS	NICKEL, 100 $\mu$ "
2	BODY	1	BRASS	NICKEL, 100 $\mu$ "
3	INSULATOR	1	DELRIN	----
4	GASKET	1	RUBBER	----
5	RETAINING RING	1	BRASS	NICKEL, 100 $\mu$ "
6	SPRING	1	SK5	NICKEL, 200 $\mu$ "
7	WASHER	1	BRASS	NICKEL, 100 $\mu$ "
8	PIN	1	BRASS	GOLD, 3 $\mu$ "
9	RESISTOR	1	75R	
10	COVER	1	BRASS	NICKEL, 100 $\mu$ "
11				
12				
13				
14				
#	DESCRIPTION	QTY	MATRL	FINISH

008974	
DRAWN G. GALLEGOS	3/28/02
CHECKED <i>JDMc</i>	3/28/02
ORJ DRAWN C. ZUNIGA	7/23/98
APPROVALS	DATE

UNLESS OTHERWISE SPECIFIED:

- REMOVE ALL BURRS
- BREAK ALL CORNERS & EDGES .005 R. MAX.
- CHAMFER 1ST & LAST THREADS 45°
- SURFACE ROUGHNESS 63 FINISH MIL-STD-10
- DIAMETERS ON COMMON CENTERS TO BE CONCENTRIC WITHIN .002 T.I.R.
- ALL DIMENSIONS ARE AFTER PLATING.

DIMENSIONS ARE IN INCHES AND [MILLIMETERS]  
 UNLESS OTHERWISE NOTED TOLERANCES ARE:

DECIMALS	DIAMETER
.xxx $\pm$ .003 [.08]	.xxx $\pm$ .001 [.03]
.xx $\pm$ .005 [.13]	.xx $\pm$ .003 [.08]



7610 MIRAMAR RD  
 SAN DIEGO, CA 92126  
 (858) 549-6340  
 (858) 549-6345 FAX

**BNC PLUG TERMINATOR**

75 OHM RESISTOR, .5 WATT

SIZE A	CABLE GROUP N/A	DWG NO. RFB-1750	REV B
SCALE: NTS		CAD FILE OUTLINE	SHEET 1 OF 1