

4

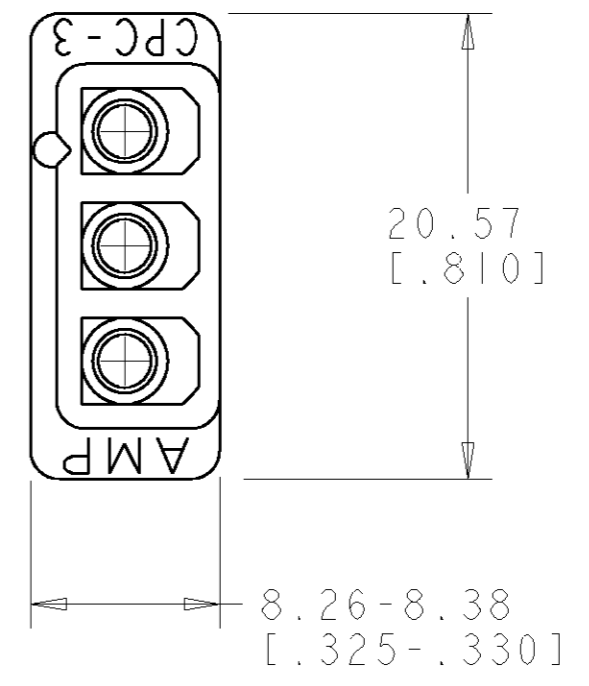
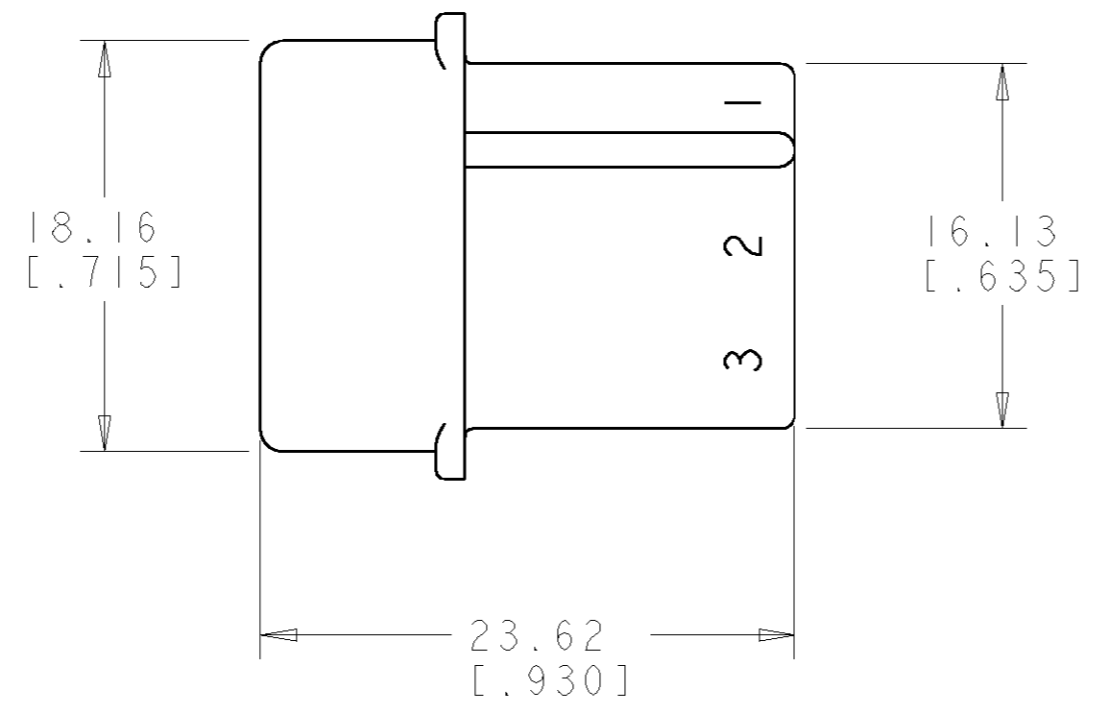
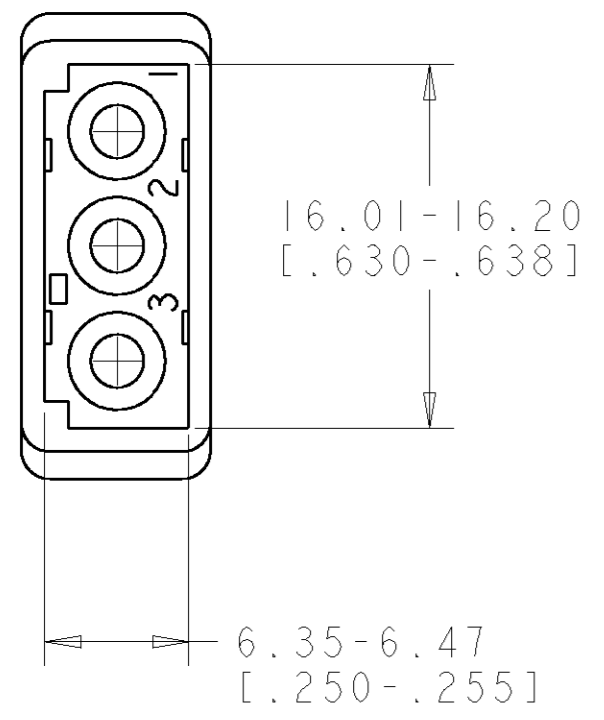
3

2

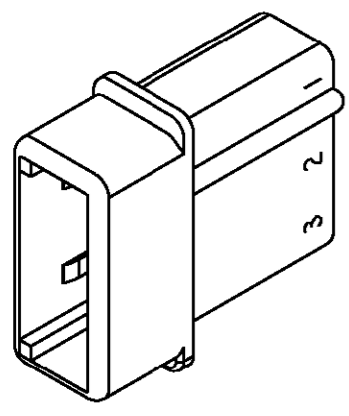
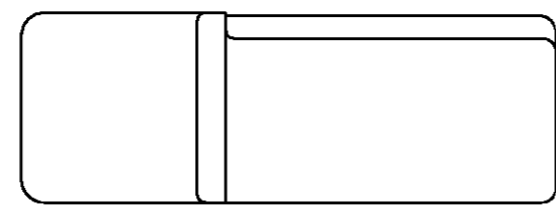
1

THIS DRAWING IS UNPUBLISHED. RELEASED FOR PUBLICATION 20
 © COPYRIGHT 20 BY TYCO ELECTRONICS CORPORATION. ALL RIGHTS RESERVED.

LOC	DIST	REVISIONS			
P	LTR	DESCRIPTION	DATE	DWN	APVD
CM	00	D	REVISED PER 0G3B-0341-02	15-APR-03	KW DC



1. MATES WITH HOUSING 480388.



SCALE 2:1

METRIC

1-480387-0
PART NUMBER

<small>THIS DRAWING IS A CONTROLLED DOCUMENT FOR TYCO ELECTRONICS CORPORATION IT IS SUBJECT TO CHANGE AND THE CONTROLLING ENGINEERING ORGANIZATION SHOULD BE CONTACTED FOR THE LATEST REVISION.</small>		DWN 15-APR-2003 K. WHITAKER CHK 15-APR-2003 D. COLEY APVD 15-APR-2003 D. COLEY		tyco Electronics Tyco Electronics Harrisburg, PA 17105-3608	
DIMENSIONS: mm [INCHES]		TOLERANCES UNLESS OTHERWISE SPECIFIED:		NAME CAP, COMMERCIAL MATE-N-LOK™ 3 CIRCUIT	
		0 PLC ±- 1 PLC ±- 2 PLC ±0.13 [.005] 3 PLC ±- 4 PLC ±- ANGLES ±0°30'		PRODUCT SPEC - APPLICATION SPEC - WEIGHT -	
MATERIAL NYLON, UL94V-2, BLACK WEATHER RESISTANT		FINISH -		SIZE CAGE CODE DRAWING NO A3 00779 C-480387	
CUSTOMER DRAWING				RESTRICTED TO -	
SCALE 3:1				SHEET 1 OF 1 REV D	