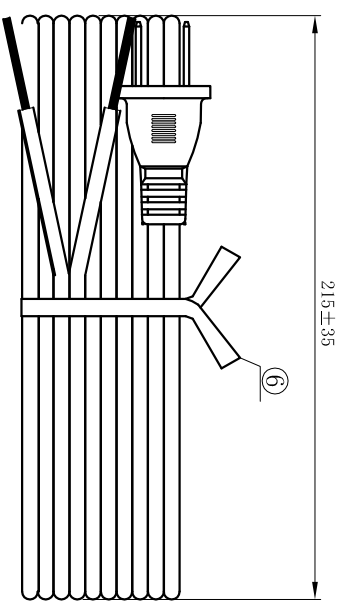
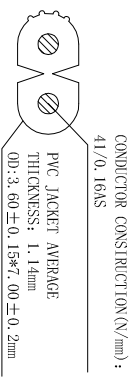
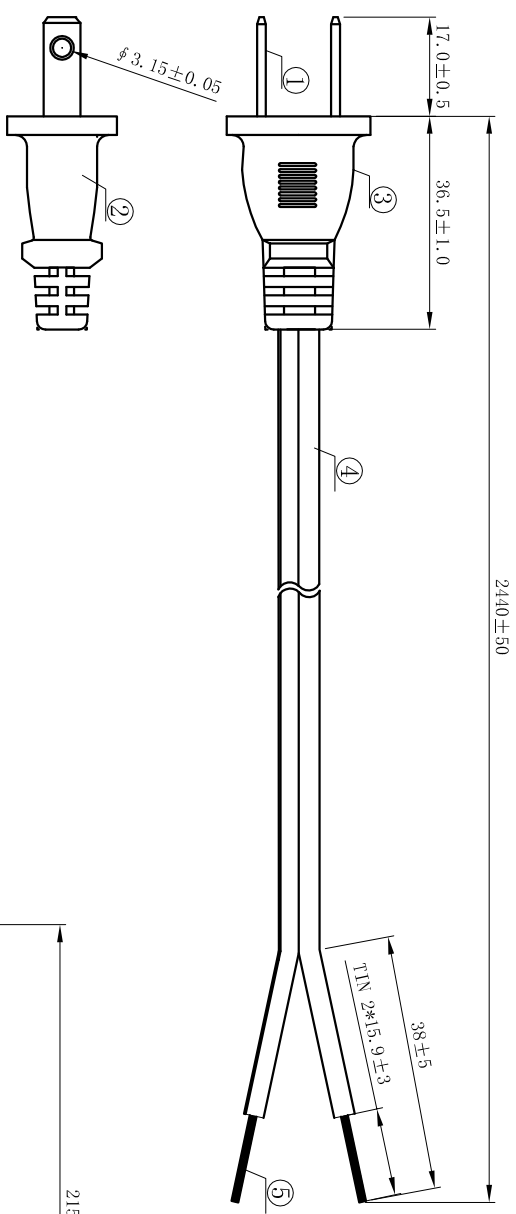
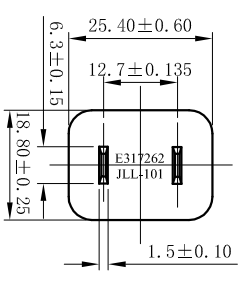


CnC Tech, LLC

Industrial Cable and Connector Technology

Engineer
drawing

PART NO.	JLL-101 WIRE	SCALE	1 : 1
DESCRIPTION	SPT-2#18*2C 60C	UNIT:	mm
DWG No.	800-1809-0-SPT2-BL-0008R		



- NOTES:
- 1) JACKET COLOR: BLACK
- TESTING:
- 1) 100% OPEN & SHORT TESTING
 - 2) INSULATION RESISTANCE: 100M ohm (min)
 - 3) VOLTAGE: DC500V/1min
 - 4) ROHS COMPLIANT

NO.	SPECIFICATION	COLOUR	MATERIAL	AMOUNT
①	Non-polar terminal 98661	Silver	Cu	2P
②	Model aircraft 8661AV-2P	WHITE	PBT	1PCS
③	Plug JLL-101	BLACK	PVC Cu	1PCS
④	Wire SPT-2 18AWG/2C 60°C	BLACK	PVC Cu	1PCS
⑤	Tin	Silver	Article tin	2PCS
⑥	Ties	BLACK		1PCS

REV	DATE	DESCRIPTION	SYMBOL
DRAWN/DATE	CHECKED/DATE	GONG/11.05.13	
CAI/10.05.10			

Printing the contents of wire	The use of printing ink replenish Wire
-------------------------------	--

E243711 (UL) SPT-2 2 X 18AWG(0.824mm²) VW-1 60°C 300V CSA 228191 SPT-2 2 X 18AWG(0.824mm²) FT2 60°C 300V JINLIANJI -LF-