

2822344-4 ✓ ACTIVE

Multilock Connector System

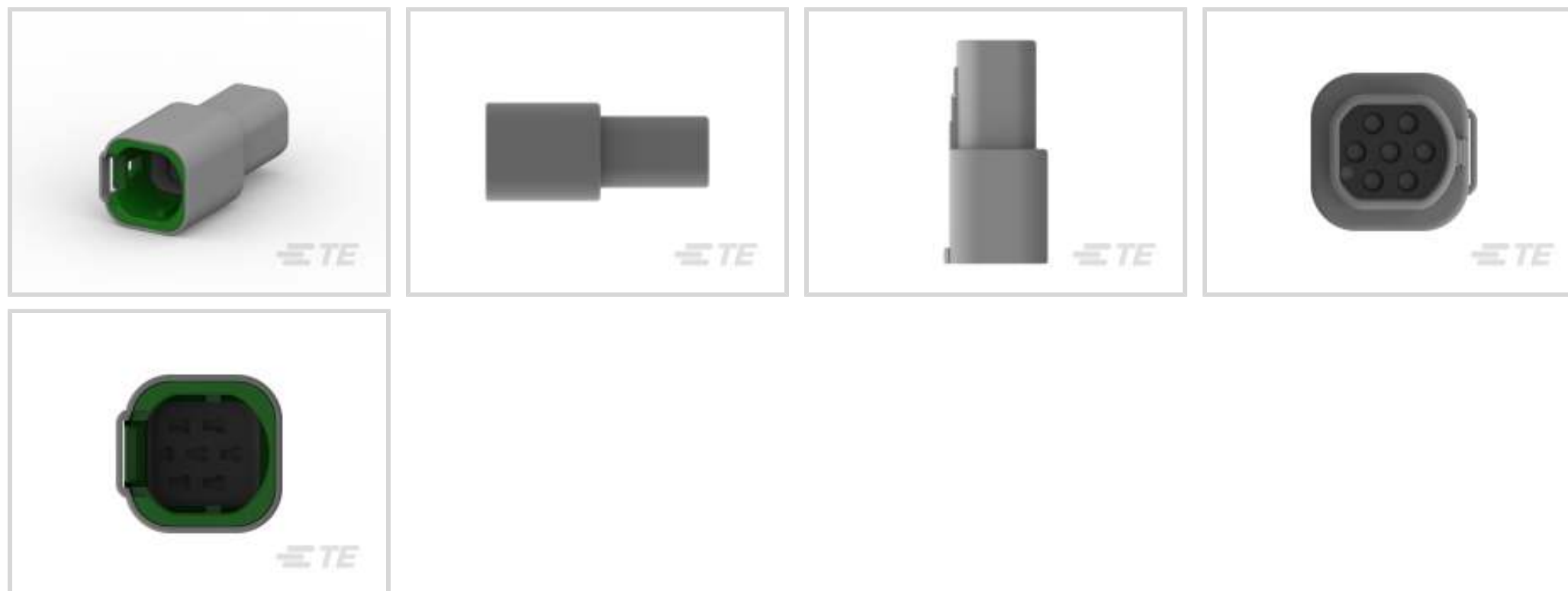
TE Internal #: 2822344-4

Housing for Male Terminals, Wire-to-Wire, 7 Position, .079 in [2 mm] Centerline, Sealable, Gray, Signal, Multilock Connector System

[View on TE.com >](#)



Connectors > Automotive Connectors > Automotive Housings > MULTILOCK, CONNECTOR HOUSING



Connector & Housing Type: **Housing for Male Terminals**

Mating Tab Width: **.8 mm [.031 in]**

Connector System: **Wire-to-Wire**

Number of Positions: **7**

Centerline (Pitch): **2 mm [.079 in]**

[All MULTILOCK, CONNECTOR HOUSING \(567\)](#)

Features

Product Type Features

Connector Shape	Rectangular
Connector & Housing Type	Housing for Male Terminals
Connector System	Wire-to-Wire
Sealable	Yes
Hybrid Connector	No
Primary Locking Feature	Integrated in Housing

Configuration Features

Number of Positions	7
---------------------	---

Body Features

Cable Exit Angle	180°
Primary Product Color	Gray

Contact Features

Contact Size	.8mm
--------------	------



Contact Type	Tab
--------------	-----

Mating Tab Width	.8 mm[.031 in]
------------------	----------------

Mechanical Attachment

Terminal Position Assurance	No
-----------------------------	----

Strain Relief	Without
---------------	---------

Mating Alignment Type	Polarization
-----------------------	--------------

Mating Alignment	With
------------------	------

Connector Mounting Type	Cable Mount (Free-Hanging)
-------------------------	----------------------------

Housing Features

Housing Material	PBT GF
------------------	--------

Centerline (Pitch)	2 mm[.079 in]
--------------------	---------------

Dimensions

Connector Height	24.9 mm[.98 in]
------------------	-----------------

Product Width	7.8 mm[.307 in]
---------------	-----------------

Product Length	11 mm[.433 in]
----------------	----------------

Usage Conditions

Operating Temperature (Max)	70 °C, 75 °C, 80 °C, 85 °C, 90 °C, 100 °C, 105 °C[158 °F][167 °F][176 °F][185 °F][194 °F] [212 °F][221 °F]
-----------------------------	--

Operating Temperature Range	-40 – 105 °C[-40 – 221 °F]
-----------------------------	----------------------------

Operation/Application

Circuit Application	Signal
---------------------	--------

Industry Standards

UL Flammability Rating	UL 94V-2
------------------------	----------

Packaging Features

Packaging Quantity	100
--------------------	-----

Packaging Method	Bag
------------------	-----

Other

Connector Position Assurance Capable	No
--------------------------------------	----

Product Compliance

[For compliance documentation, visit the product page on TE.com>](#)



EU RoHS Directive 2011/65/EU	Compliant
EU ELV Directive 2000/53/EC	Compliant
China RoHS 2 Directive MIIT Order No 32, 2016	No Restricted Materials Above Threshold
EU REACH Regulation (EC) No. 1907/2006	Current ECHA Candidate List: JUNE 2023 (235) Candidate List Declared Against: JAN 2023 (233) Does not contain REACH SVHC
Halogen Content	Low Halogen - Br, Cl, F, I < 900 ppm per homogenous material. Also BFR/CFR/PVC Free
Solder Process Capability	Not applicable for solder process capability

Product Compliance Disclaimer

This information is provided based on reasonable inquiry of our suppliers and represents our current actual knowledge based on the information they provided. This information is subject to change. The part numbers that TE has identified as EU RoHS compliant have a maximum concentration of 0.1% by weight in homogenous materials for lead, hexavalent chromium, mercury, PBB, PBDE, DBP, BBP, DEHP, DIBP, and 0.01% for cadmium, or qualify for an exemption to these limits as defined in the Annexes of Directive 2011/65/EU (RoHS2). Finished electrical and electronic equipment products will be CE marked as required by Directive 2011/65/EU. Components may not be CE marked. Additionally, the part numbers that TE has identified as EU ELV compliant have a maximum concentration of 0.1% by weight in homogenous materials for lead, hexavalent chromium, and mercury, and 0.01% for cadmium, or qualify for an exemption to these limits as defined in the Annexes of Directive 2000/53/EC (ELV). Regarding the REACH Regulation, the information TE provides on SVHC in articles for this part number is based on the latest European Chemicals Agency (ECHA) 'Guidance on requirements for substances in articles' posted at this URL: <https://echa.europa.eu/guidance-documents/guidance-on-reach>

Compatible Parts



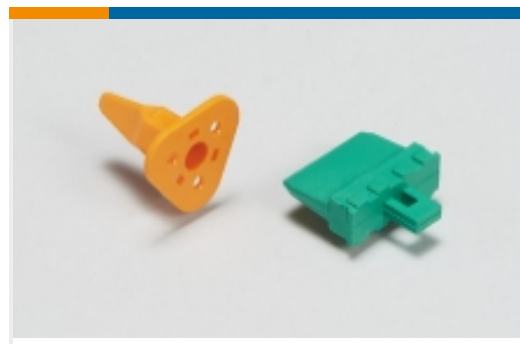
Also in the Series | [Multilock Connector System](#)



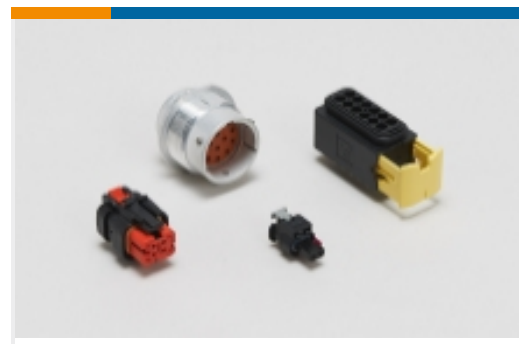
Automotive Connector Caps & Covers (17)



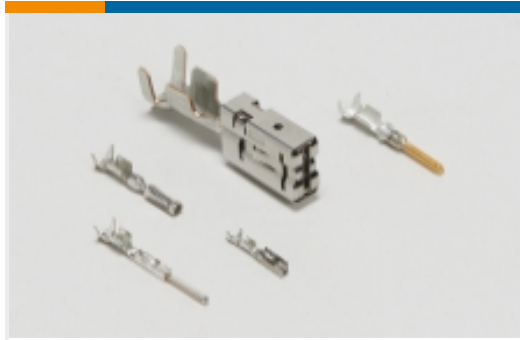
Automotive Connector EMC Shielding (1)



Automotive Connector Locks & Position Assurance(2)



Automotive Housings(603)



Automotive Terminals(141)



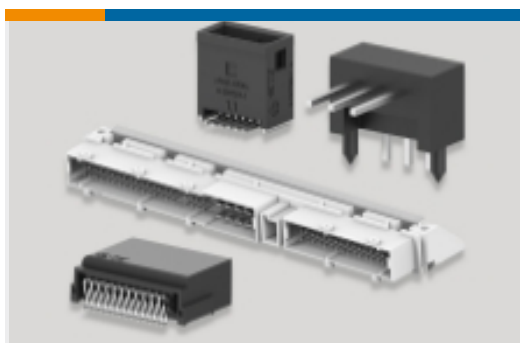
Connector Seals & Cavity Plugs(2)



Insertion & Extraction Tools(6)

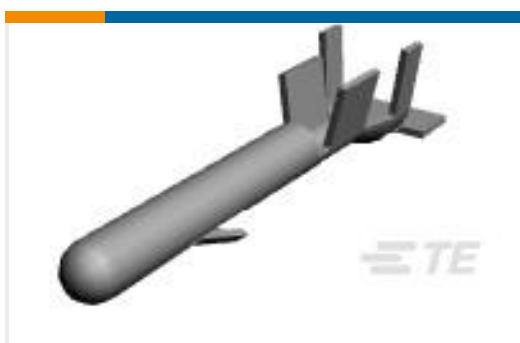


Other Automotive Connector Accessories(14)

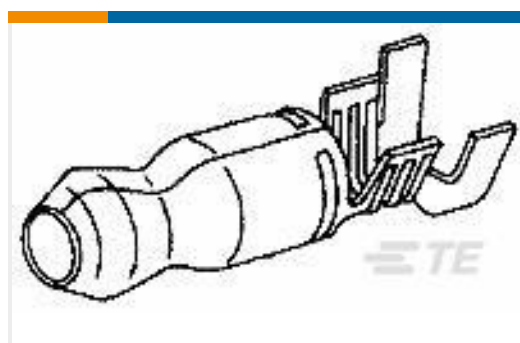


PCB Headers & Receptacles(142)

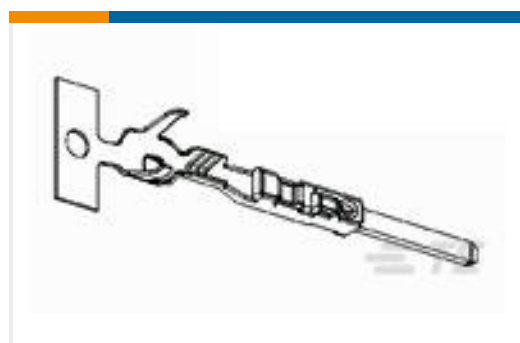
Customers Also Bought



TE Part #61118-1
MNL PIN 20-14 TPBR



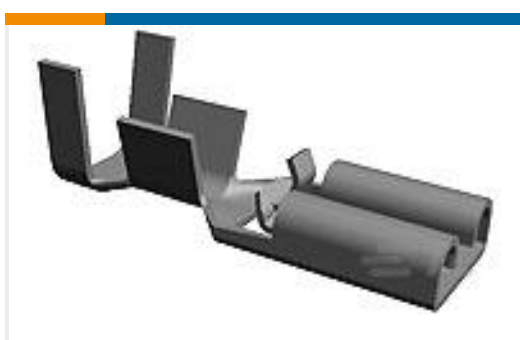
TE Part #60793-1
SHUR PLUG .180 18-14 AWG TPBR



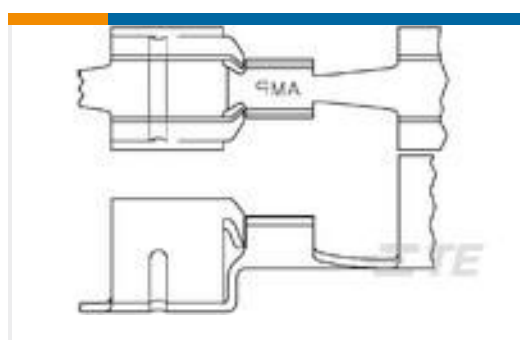
TE Part #2141114-3
MCON 1.2 CB TAB SWS AG



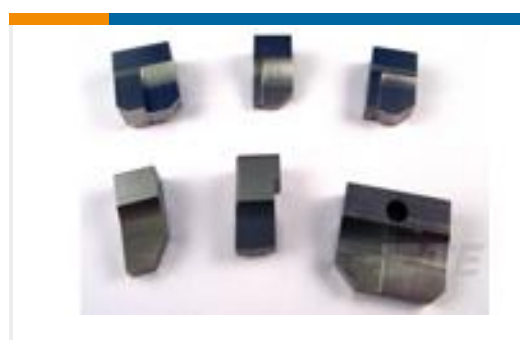
TE Part #1924968-8
CONTACT, MALE 0.64, 0.35SQMM



TE Part #1217097-2
PL 187 TERMINAL REC 22-18 AWG TPBR



TE Part #1217881-1
250 FUSE RCPT 020TPBR



TE Part #1633933-1
ANVIL, COMBINATION



TE Part #2-2150782-2
OCEAN_2.0_Applicator-E-080F110F



Documents

Product Drawings

MINI MLC CAP HSG ASSY 7P

Japanese

CAD Files

3D PDF

3D

Customer View Model

[ENG_CVM_CVM_2822344-4_B.2d_dxf.zip](#)

English

Customer View Model

[ENG_CVM_CVM_2822344-4_B.3d_igs.zip](#)

English

Customer View Model

[ENG_CVM_CVM_2822344-4_B.3d_stp.zip](#)

English

By downloading the CAD file I accept and agree to the [Terms and Conditions](#) of use.

Datasheets & Catalog Pages

MULTILOCK Connector System

English

Product Specifications

Product Specification

Japanese

Instruction Sheets

Mini Multilock Connector

English

Mini Multilock Connector

Japanese