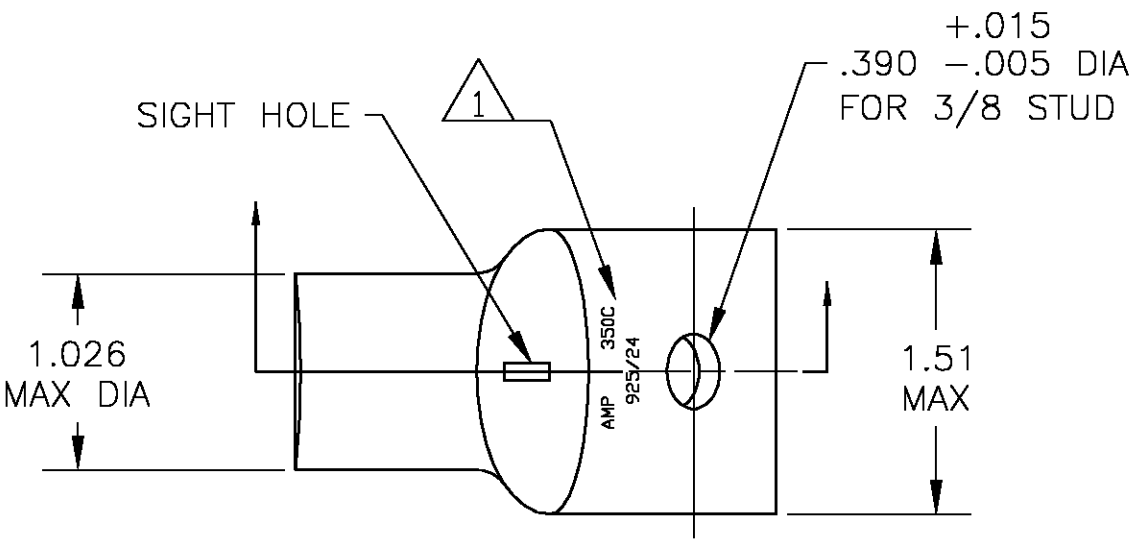
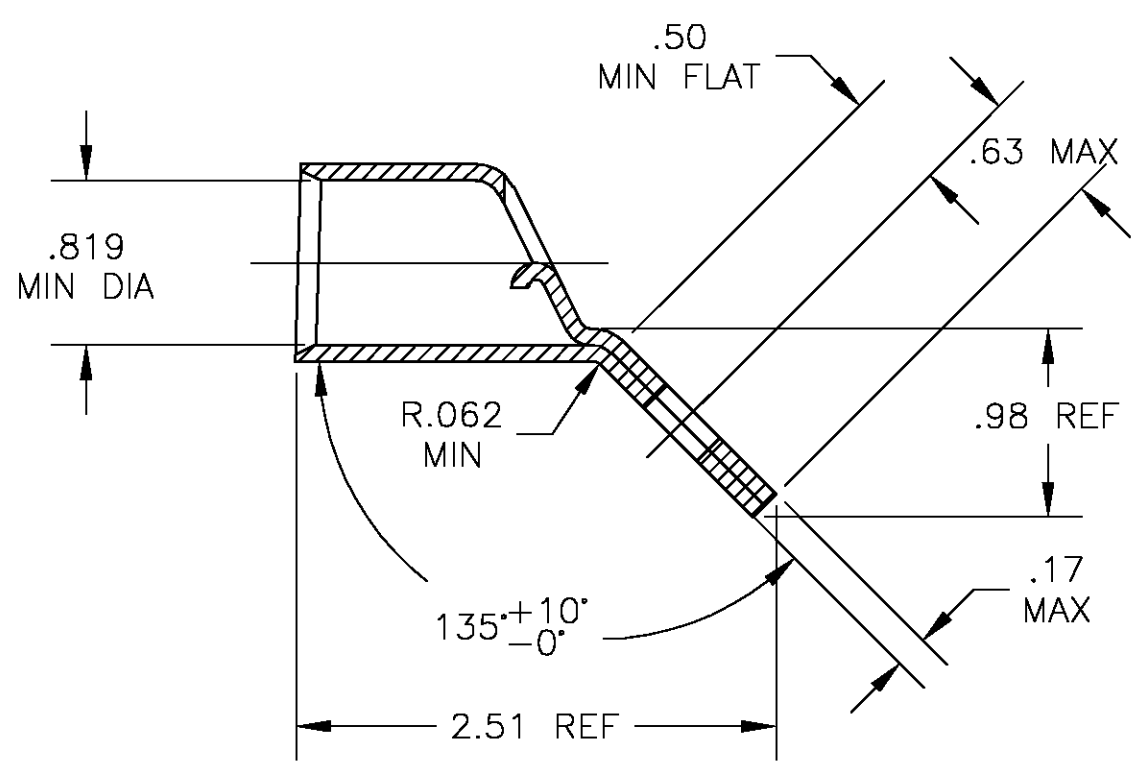


THIS DRAWING IS UNPUBLISHED. RELEASED FOR PUBLICATION
 © COPYRIGHT - BY TYCO ELECTRONICS CORPORATION. ALL RIGHTS RESERVED.

LOC	DIST	REVISIONS					
		P	LTR	DESCRIPTION	DATE	DWN	APVD
G	86		A	REL PER ECR 05-001471	15APR05	JR	MS



- 1 STAMP " AMP 350C 925/24" APPROX AS SHOWN.
- 2 MATERIAL: COPPER PER ASTM B-75, ANNEALED
- 3 FINISH: TIN PLATE .000150 MIN THK PER ASTM B-545



696761-1
 PART NO.

AMP INCORPORATED CUSTOMER SERVICE SYSTEMS	
FOR ADDITIONAL PRODUCT INFORMATION OR COPIES OF DRAWINGS AND TECHNICAL DOCUMENTS	PRODUCT INFORMATION CENTER 1-800-522-6752
FOR APPLICATION TOOLING INFORMATION	TOOLING ASSISTANCE CENTER 1-800-722-1111
FOR ORDER ENTRY	1-800-526-5142

MAX RECOMMENDED OPERATING TEMPERATURE: 170°C MAX
VOLTAGE RATING: N/A
CIRCULAR MIL AREA: 325,000-375,000 STRANDED

THIS DRAWING IS A CONTROLLED DOCUMENT.	
DIMENSIONS: INCHES	TOLERANCES UNLESS OTHERWISE SPECIFIED:
	0 PLC ± -
	1 PLC ± -
	2 PLC ± .02
	3 PLC ± .008
	4 PLC ± -
MATERIAL	ANGLES ± -
- 2	FINISH
	- 3

DWN	jr_ruth	14FEB05
CHK	MJ SPICER	14FEB05
APVD	MJ SPICER	14FEB05
PRODUCT SPEC	-	-
APPLICATION SPEC	-	-
WEIGHT	-	-

tyco Electronics		Tyco Electronics Corporation Harrisburg, Pa 17105-3608	
NAME TERMINAL, AMPPOWER WIRE SIZE: 350 MCM			
SIZE	CAGE CODE	DRAWING NO	RESTRICTED TO
A3	00779	C-696761	-
CUSTOMER DRAWING		SCALE	SHEET
		1:1	1 OF 1
		REV	A