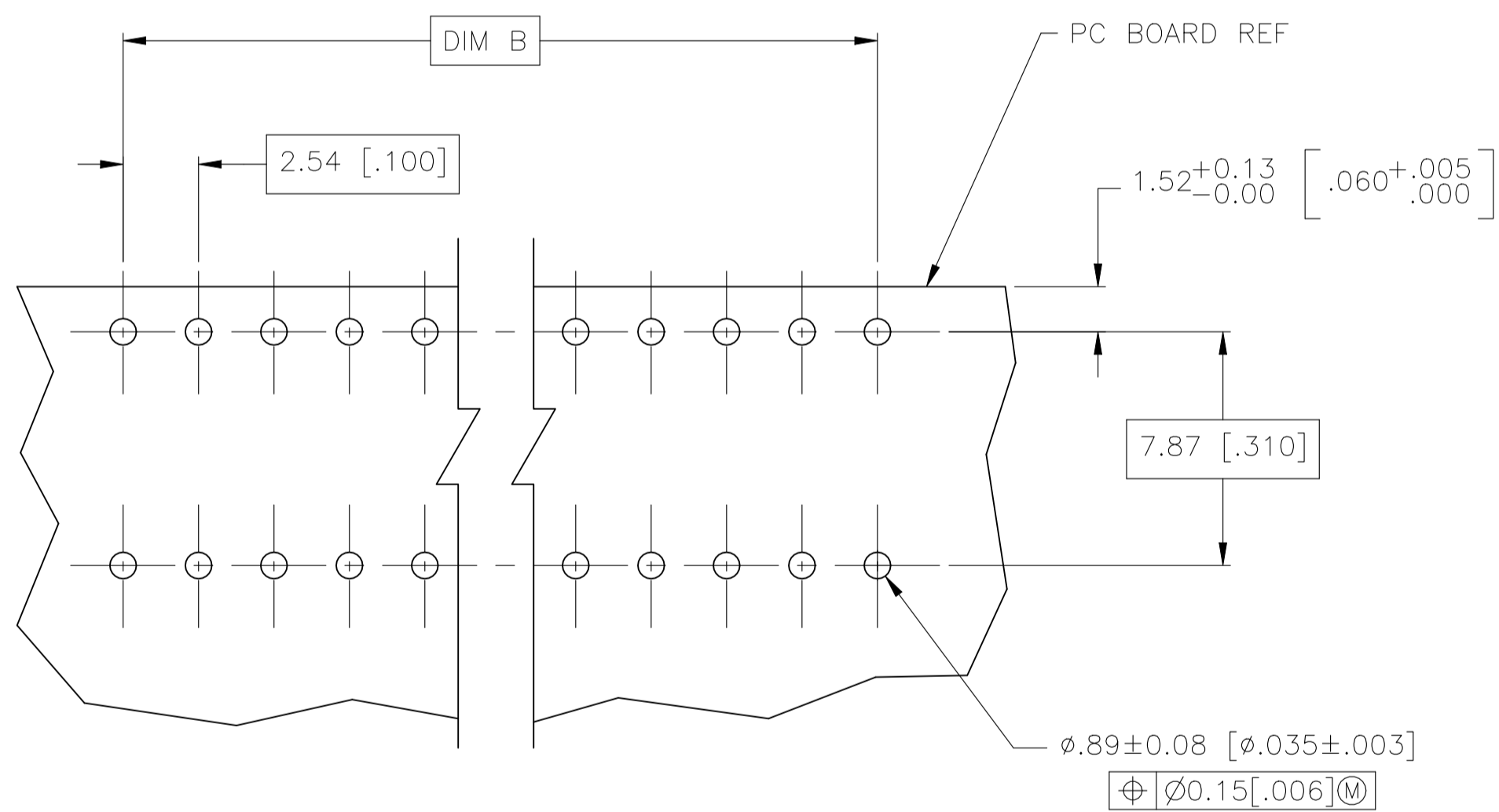
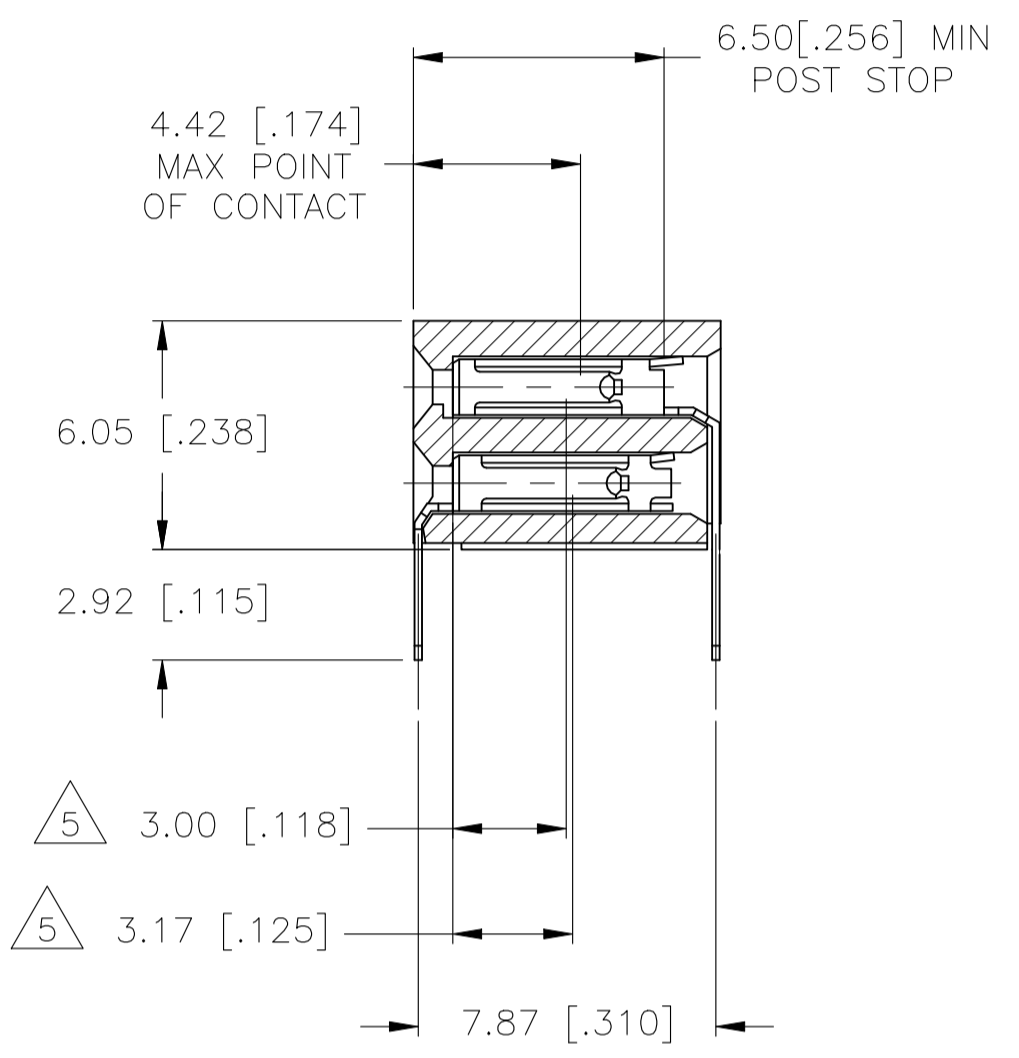
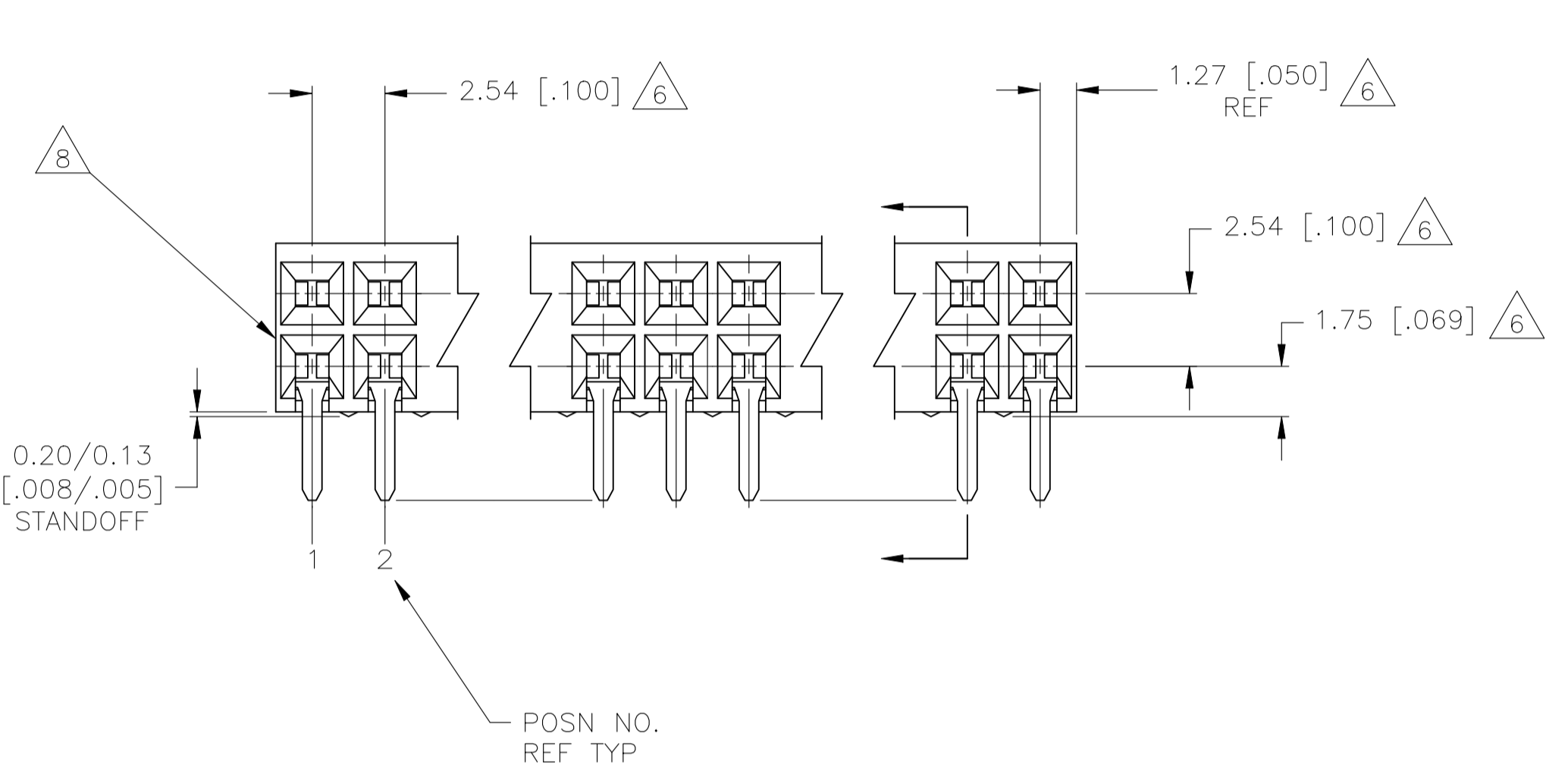
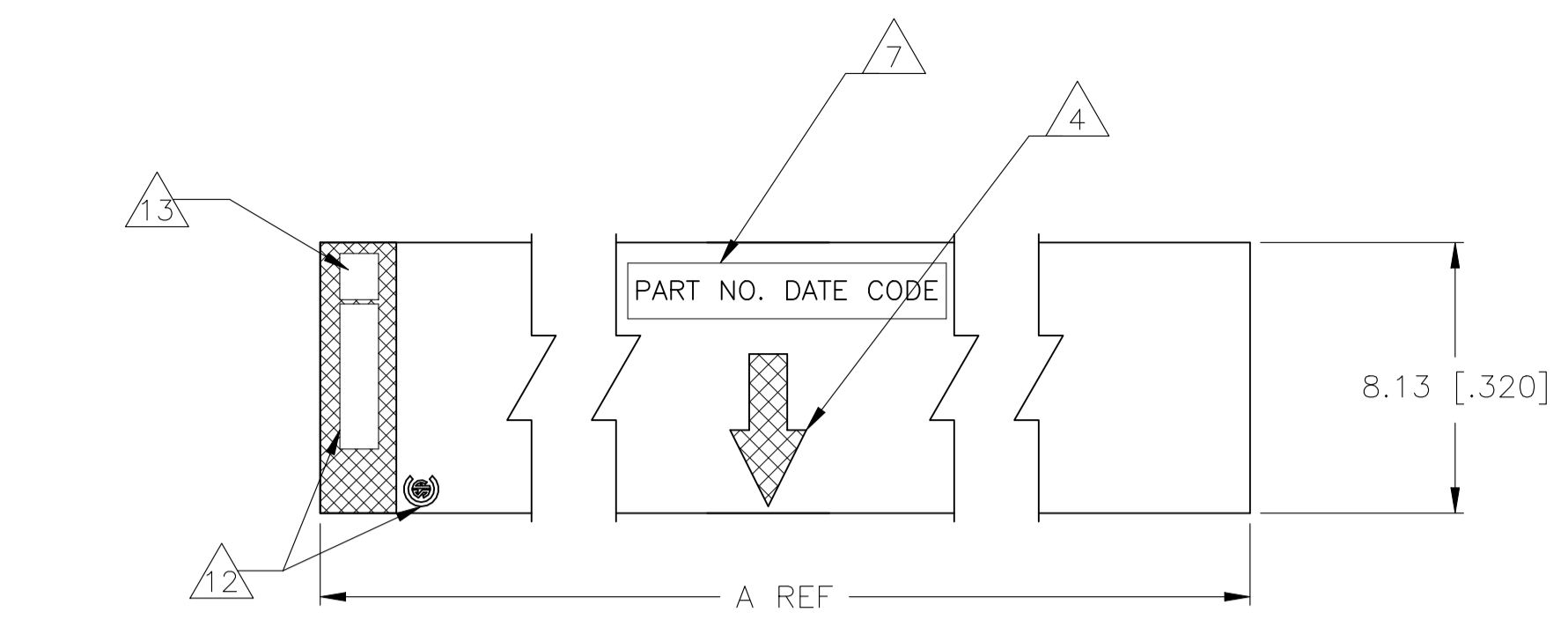


REVISIONS				
REV	DESCRIPTION	DATE	BY	APPV
C	POSITION 1 MARKING SHOWN	14JUL2022	SCB	PS



RECOMMENDED PC BOARD LAYOUT

- 1 HOUSING MATERIAL: GLASS FILLED POLYESTER, COLOR- BLACK
- 2 CONTACT MATERIAL: PHOSPHOR BRONZE
- 3 CONTACT FINISH: .00076(.000030) THK DUPLEX PLATED GOLD ON CONTACT AREA  
3.81-7.62µm(.000150-.000300)MATTE TIN ALL OVER 0.00127(.000050)NICKEL.
- 4 MOLDED IN ARROW DESIGNATES THE MATING FACE OF THE CONNECTOR
- 5 POINT OF MEASUREMENT FOR PLATING THICKNESS OF CONTACT AREA
- 6 DIMENSIONS PERTAIN TO HOUSING CAVITY CENTERLINES
- 7 PART NUMBER AND DATE CODE MARKED IN APPROXIMATE LOCATION SHOWN, EITHER SIDE.
- 8 ALTERNATE LOCATION FOR DATE CODE FOR 4 AND 6 POSITION.
- 9 NO PART NUMBER MARKING REQUIRED ON THIS PART.
- 10 ROHS 2002/95/EC COMPLIANT.
- 12 TE LOGO AND CSA LOGO ARE MOLDED INTO HOUSING, THIS LOCATION
- 13 POSITION #1 MARKING ON THIS LOCATION FOR ALL PART NUMBERS EXCEPT 6-5535512-1

REV	DESCRIPTION	DATE	BY	APPV
9	10.16[.400]	12.70[.500]	10	6-5535512-4
9	7.62[.300]	10.16[.400]	8	6-5535512-3
9	5.08[.200]	7.62[.300]	6	6-5535512-2
9	2.54[.100]	5.08[.200]	4	6-5535512-1
	162.56[6.400]	165.10[6.500]	130	6-5535512-0
	160.02[6.300]	162.56[6.400]	128	5-5535512-9
	157.48[6.200]	160.02[6.300]	126	5-5535512-8
	152.40[6.000]	154.94[6.100]	122	5-5535512-7
	149.86[5.900]	152.40[6.000]	120	5-5535512-6
	147.32[5.800]	149.86[5.900]	118	5-5535512-5
	144.78[5.700]	147.32[5.800]	116	5-5535512-4
	142.24[5.600]	144.78[5.700]	114	5-5535512-3
	139.70[5.500]	142.24[5.600]	112	5-5535512-2
	137.16[5.400]	139.70[5.500]	110	5-5535512-1
	134.62[5.300]	137.16[5.400]	108	5-5535512-0
	132.08[5.200]	134.62[5.300]	106	4-5535512-9
	129.54[5.100]	132.08[5.200]	104	4-5535512-8
	127.00[5.000]	129.54[5.100]	102	4-5535512-7
	124.46[4.900]	127.00[5.000]	100	4-5535512-6
	121.92[4.800]	124.46[4.900]	98	4-5535512-5
	119.38[4.700]	121.92[4.800]	96	4-5535512-4
	116.84[4.600]	119.38[4.700]	94	4-5535512-3
	114.30[4.500]	116.84[4.600]	92	4-5535512-2
	111.76[4.400]	114.30[4.500]	90	4-5535512-1
	109.22[4.300]	111.76[4.400]	88	4-5535512-0
	106.68[4.200]	109.22[4.300]	86	3-5535512-9
	104.14[4.100]	106.68[4.200]	84	3-5535512-8
	101.60[4.000]	104.14[4.100]	82	3-5535512-7
	99.06[3.900]	101.60[4.000]	80	3-5535512-6
	96.52[3.800]	99.06[3.900]	78	3-5535512-5
	93.98[3.700]	96.52[3.800]	76	3-5535512-4
	91.44[3.600]	93.98[3.700]	74	3-5535512-3
	88.90[3.500]	91.44[3.600]	72	3-5535512-2
	86.36[3.400]	88.90[3.500]	70	3-5535512-1
	83.82[3.300]	86.36[3.400]	68	3-5535512-0
	81.28[3.200]	83.82[3.300]	66	3-5535512-9
	78.74[3.100]	81.28[3.200]	64	3-5535512-8
	76.20[3.000]	78.74[3.100]	62	3-5535512-7
	73.66[2.900]	76.20[3.000]	60	3-5535512-6
	71.12[2.800]	73.66[2.900]	58	2-5535512-9
	68.58[2.700]	71.12[2.800]	56	2-5535512-8
	66.04[2.600]	68.58[2.700]	54	2-5535512-7
	63.50[2.500]	66.04[2.600]	52	2-5535512-6
	60.96[2.400]	63.50[2.500]	50	2-5535512-5
	58.42[2.300]	60.96[2.400]	48	2-5535512-4
	55.88[2.200]	58.42[2.300]	46	2-5535512-3
	53.34[2.100]	55.88[2.200]	44	2-5535512-2
	50.80[2.000]	53.34[2.100]	42	2-5535512-1
	48.26[1.900]	50.80[2.000]	40	2-5535512-0
	45.72[1.800]	48.26[1.900]	38	2-5535512-9
	43.18[1.700]	45.72[1.800]	36	2-5535512-8
	40.64[1.600]	43.18[1.700]	34	2-5535512-7
	38.10[1.500]	40.64[1.600]	32	2-5535512-6
	35.56[1.400]	38.10[1.500]	30	2-5535512-5
	33.02[1.300]	35.56[1.400]	28	2-5535512-4
	30.48[1.200]	33.02[1.300]	26	2-5535512-3
	27.94[1.100]	30.48[1.200]	24	2-5535512-2
	25.40[1.000]	27.94[1.100]	22	2-5535512-1
	22.86[.900]	25.40[1.000]	20	2-5535512-0
	20.32[.800]	22.86[.900]	18	1-5535512-9
	17.78[.700]	20.32[.800]	16	1-5535512-8
	15.24[.600]	17.78[.700]	14	1-5535512-7
	12.70[.500]	15.24[.600]	12	1-5535512-6
	10.16[.400]	12.70[.500]	10	1-5535512-5
	7.62[.300]	10.16[.400]	8	1-5535512-4
	5.08[.200]	7.62[.300]	6	1-5535512-3
	2.54[.100]	5.08[.200]	4	1-5535512-2
			2	1-5535512-1
			0	1-5535512-0

THIS DRAWING IS A CONTROLLED DOCUMENT.

DIN: BSV 04NOV04  
 CHK: J OLSON  
 APVD: J OLSON  
 NAME: AMPMODU MOD II RECEPTACLE ASSEMBLY, HORIZONTAL, 100 CL, 2 ROW, CLOSED-ENTRY, SHORT POINT OF CONTACT, END-TO-END STACKABLE

PRODUCT SPEC: 108-25026  
 APPLICATION SPEC: 114-25018

SIZE: A1  
 CAGE CODE: 00779  
 DRAWING NO: 5535512

WEIGHT: -  
 MATERIAL: 1 2  
 FINISH: 3

CUSTOMER DRAWING  
 SCALE: 5:1  
 SHEET: 1 of 1  
 REV: C