

PART NO.	ENGINEERING NO.	FINISHED LENGTH
1300620044	113030A46M010	1.0M (3 FT 3IN)
1300620048	113030A46M030	3.0M (6 FT 7IN)
1300620054	113030A46M100	10.0M (32 FT 10IN)

(B) CABLE LENGTH TOLERANCES

<.3M [1FT]: +19mm-0 [+ .75in-0]

.3 - .9M [1 - 3FT]: +44.5mm-0 [+1.75in-0]

.9 - 1.8M [3 - 6FT]: +55.6mm-0 [+2.19in-0]

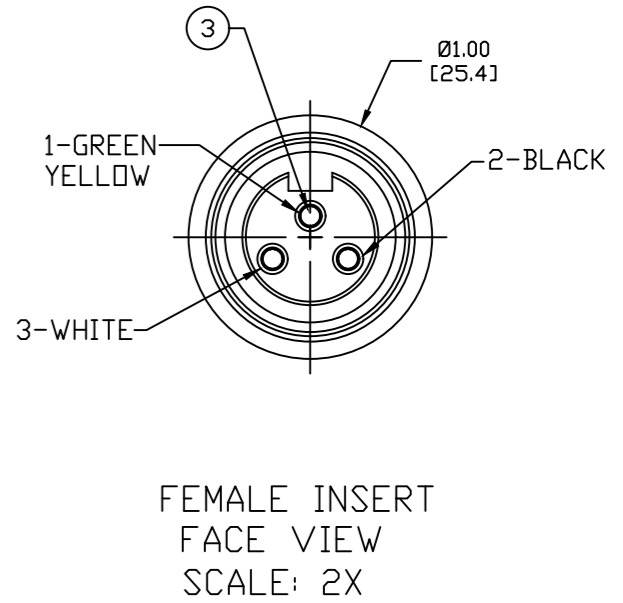
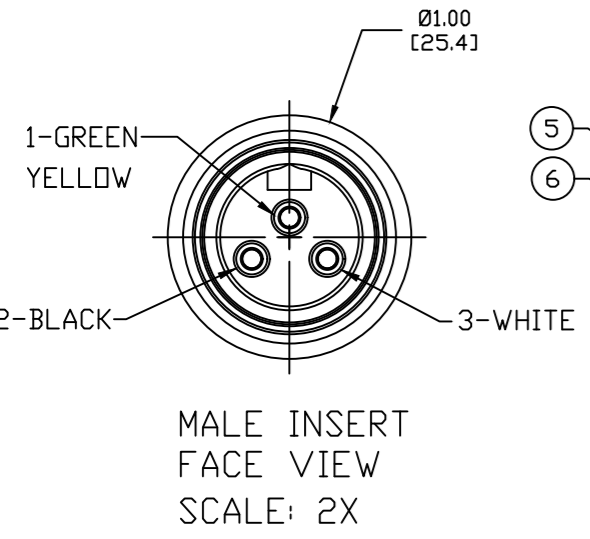
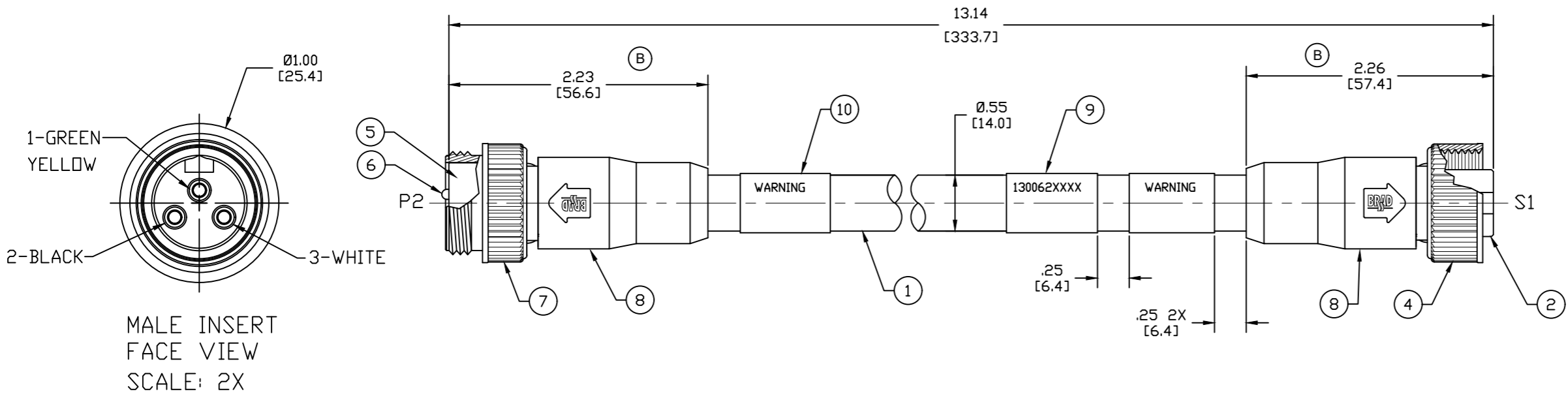
1.8 - 3.7M [6 - 12FT]: +88.9mm-0 [+3.50in-0]

3.7 - 7.3M [12 - 24FT]: +165.1mm-0 [+6.50in-0]

7.3-14.6M [24 - 48FT]: +317.5mm-0 [+12.50in-0]

14.6 - 30.5M [48-100FT]: +622.3mm-0 [+24.50in-0]

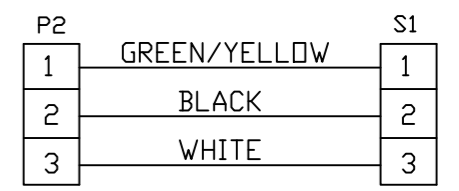
OVER 30M [100FT] +2% OF FINISHED LENGTH



PART NO. LEGEND
113030A46M020

FINISHED LENGTH:
M005= 0.5 METER
M010= 1 METER
M100= 10 METER

- (B) NOTES:**
- MATERIAL: AS NOTED
 - FINISH: AS NOTED
 - ELECTRICAL:
VOLTAGE: 4P: 483V PER IEC60664
600V PER UL2237
CURRENT: 15A
 - TEMP RATING: -20°TO +90°C
 - PROTECTION: IP67 (WHEN MATED)
 - COUPLING THREAD: 7/8-16UN
 - UL LISTED FILE: E258922
 - ALL DIMS ARE FOR REFERENCE UNLESS TOLERANCED OR NOTED OTHERWISE



ITEM	DESCRIPTION	MATERIAL	FINISH
10	WARNING LABEL	VINYL	ORANGE/BLACK
9	WRAP LABEL	VINYL	BLACK/YELLOW
8	OVERMOLDS	TPE	GRAY
7	COUPLING, MALE	ZINC DIE-CAST	BLACK E-COAT
6	CONTACT PIN	COPPER ALLOY	GOLD PLATED
5	MALE INSERT (A-SIZE)	TPE	BLACK
4	COUPLING, FEMALE	ZINC DIE-CAST	BLACK E-COAT
3	CONTACT SOCKET	COPPER ALLOY	GOLD PLATED
2	FEMALE INSERT (A-SIZE)	TPE	BLACK
1	CABLE, 14/4, 90°C, 600V	PVC JACKET	GRAY

PRE-RELEASE
REFERENCE
USE ONLY

FUNCTIONAL SYMBOLS F=0 E=0 P=0	THIS DRAWING CONTAINS INFORMATION THAT IS PROPRIETARY TO MOLEX ELECTRONIC TECHNOLOGIES, LLC AND SHOULD NOT BE USED WITHOUT WRITTEN PERMISSION		<p>molex</p> <p>MINI-CHANGE ASSEMBLY 3 POLE M/MFE #14/3 GRAY PVC</p>	
	DIMENSION UNITS INCH/MM	SCALE 1:1		
DIVISIONAL SYMBOLS	GENERAL TOLERANCES (UNLESS SPECIFIED)		EC NO: ----	
	4 PLACES	±----	±----	DRWN: RSTONE 2020/10/28
DRAFT WHERE APPLICABLE MUST REMAIN WITHIN DIMENSIONS	3 PLACES	±----	±----	CHK'D: MZIELINSKI 2020/10/29
	2 PLACES	±----	±----	APPR: ----
THIRD ANGLE PROJECTION	1 PLACE	±----	±----	INITIAL REVISION:
	0 PLACES	±----	±----	DRWN: EBRACKEN 2013/06/20
DRAWING	ANGULAR TOL ± 0.5°		APPR: BWOODMAN 2013/08/14	
	SERIES		130062	
MATERIAL NUMBER		CUSTOMER		SHEET NUMBER
SEE P/N CHART		GENERAL MARKET		1 OF 1