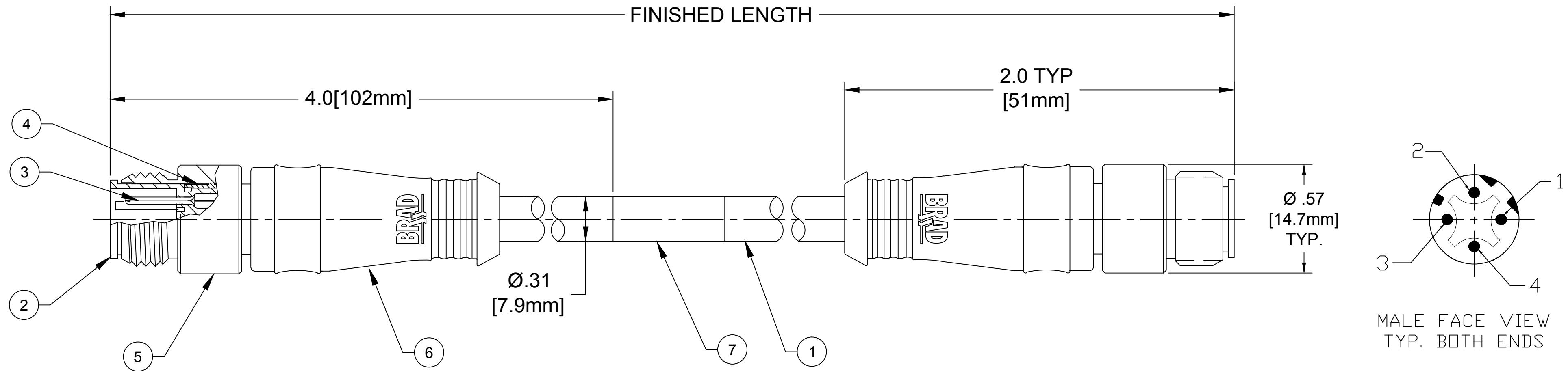


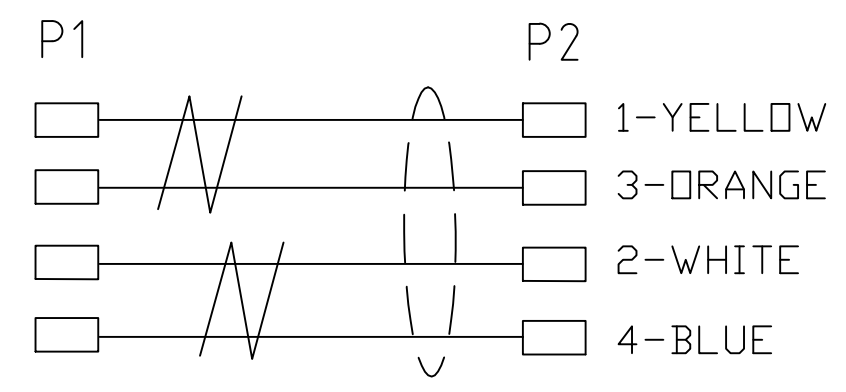
| PART NO.   | ENGINEERING NO. | FINISHED LENGTH |
|------------|-----------------|-----------------|
| 1201080565 | E11A06017M005   | 0.5M [19.7"]    |
| 1201080566 | E11A06017M010   | 1.0M [3'3"]     |
| 1201080573 | E11A06017M100   | 10.0M [32'10"]  |

**(B) CABLE LENGTH TOLERANCES**

>.3M [1FT]: +19mm-0 [+ .75in-0]  
 .3 - .9M [1 - 3FT]: +44.5mm-0 [+1.75in-0]  
 .9 - 1.8M [3 - 6FT]: +55.6mm-0 [+2.19in-0]  
 1.8 - 3.7M [6 - 12FT]: +88.9mm-0 [+3.50in-0]  
 3.7 - 7.3M [12 - 24FT]: +165.1mm-0 [+6.50in-0]  
 7.3-14.6M [24 - 48FT]: +317.5mm-0 [+12.50in-0]  
 14.6 - 30.5M [48-100FT]: +622.3mm-0 [+24.50in-0]  
 OVER 30M [100FT] +2% OF FINISHED LENGTH



- (B) NOTES:**
1. MATERIAL: AS NOTED
  2. FINISH: AS NOTED
  3. ELECTRICAL:  
VOLTAGE: 30V  
CURRENT: 1.5A
  4. TEMP RATING: -20° TO +80°C
  5. PROTECTION: IP67 (WHEN MATED)
  6. COUPLING THREAD: M12 X 1
  7. UL CERTIFIED FILE: E200650
  8. ALL DIMS ARE FOR REFERENCE UNLESS NOTED OTHERWISE



**(B) WIRING DIAGRAM**

**(B) PART NUMBER LEGEND**

E11A06017M005

FINISHED LENGTH:  
 M005= 0.5 METER  
 M010= 1 METER  
 M100= 10 METER

REF. THIS DRAWING SUPERSEDES CO-CREATE DOC SD-120108-091 REV-A

| ITEM | DESCRIPTION                | MATERIAL     | FINISH        |
|------|----------------------------|--------------|---------------|
| 7    | WRAP LABEL                 | VINYL        | BLACK/YELLOW  |
| 6    | OVERMOLD                   | PBT          | GRAY          |
| 5    | COUPLING NUT               | BRASS        | NICKEL PLATED |
| 4    | SHIELD HOUSING             | BRASS        | NICKEL PLATED |
| 3    | CONTACT PIN                | COPPER ALLOY | GOLD PLATED   |
| 2    | MALE INSERT, D-CODE        | PUR          | BLACK         |
| 1    | CABLE, 2 PAIR, 26AWG, SHLD | TPE JACKET   | GREEN         |

|                           |                     |                         |                            |                           |             |
|---------------------------|---------------------|-------------------------|----------------------------|---------------------------|-------------|
| REV D PER LATEST DOC STD. | EC NO: IPG2019-0171 | DRWN: RSTONE 2018/10/15 | CH'KD: C CHRAST 2018/10/22 | APPR: BWOODMAN 2018/11/05 | DESCRIPTION |
| QUALITY SYMBOL            | ▼=0                 | ▽=0                     |                            |                           |             |

| GENERAL TOLERANCES (UNLESS SPECIFIED)                | DIMENSION STYLE IN/MM |      |
|--|-----------------------|------|
|  | mm                    | INCH |
| 4 PLACES   | ±---                  | ±--- |
| 3 PLACES   | ±---                  | ±--- |
| 2 PLACES   | ±---                  | ±--- |
| 1 PLACE  | ±---                  | ±--- |
| ANGULAR ±---°  |                       |      |
| DRAFT WHERE APPLICABLE MUST REMAIN WITHIN DIMENSIONS |                       |      |

| DRAWN BY | DATE       | CHECKED BY | DATE       | APPROVED BY | DATE       |
|----------|------------|------------|------------|-------------|------------|
| RSTONE   | 2018/10/15 | C CHRAST   | 2018/10/22 | BWOODMAN    | 2018/11/05 |

| SCALE   | DESIGN UNITS | THIRD ANGLE PROJECTION     | TITLE  |
|---|--------------|----------------------------|--|
| ---   | INCH         |                            | M12 D-CODE CABLE ASSY<br>PROFI-NET MALE/MALE |
| MOLEX INCORPORATED  |              | MATERIAL NO. SEE P/N CHART |  |
| DOCUMENT NO. SD-120108-091  |              | SHEET NO. 1 OF 1           |  |
| THIS DRAWING CONTAINS INFORMATION THAT IS PROPRIETARY TO MOLEX INCORPORATED AND SHOULD NOT BE USED WITHOUT WRITTEN PERMISSION |              |                            |  |