

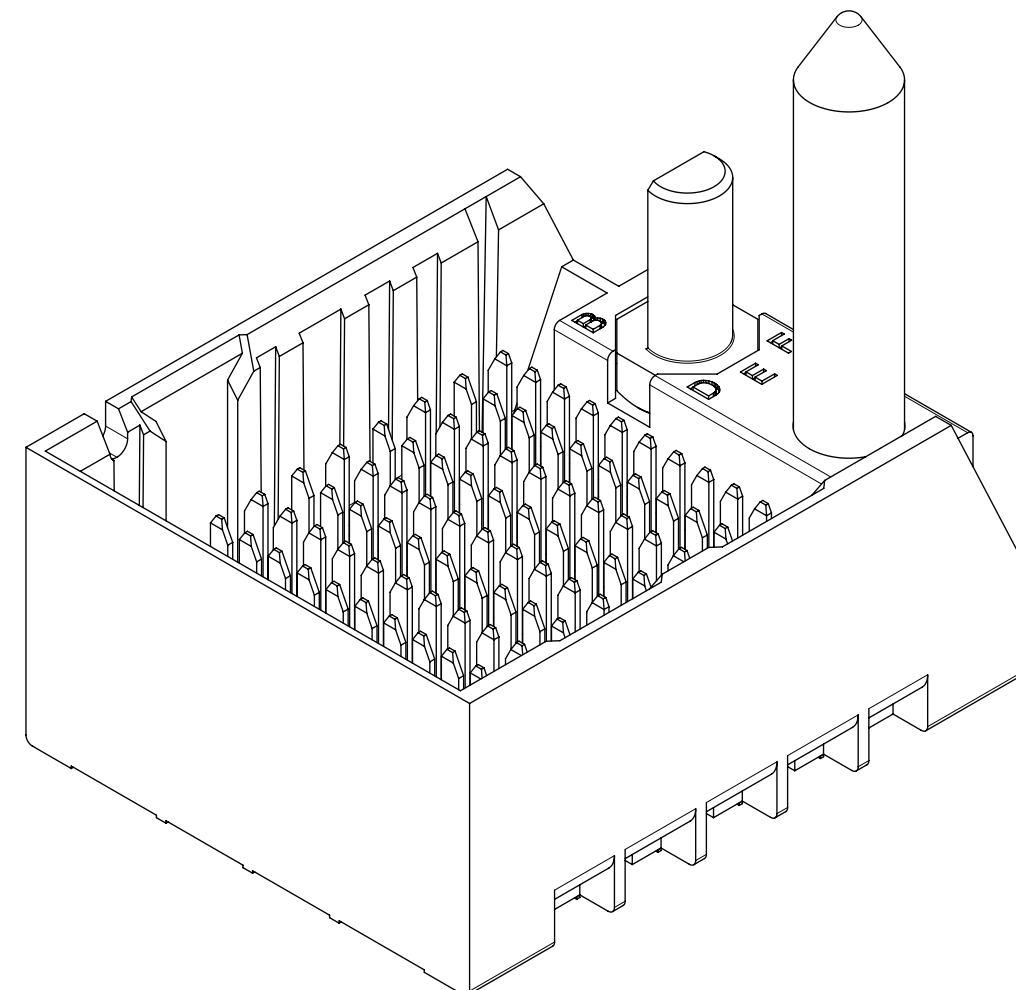
- NOTES:
1. MATERIALS: HOUSING - LIQUID CRYSTAL POLYMER (LCP) GLASS-FILLED, UL94V-0  
TERMINALS - HIGH PERFORMANCE COPPER ALLOY
  2. FINISH: 30µ INCH MIN GOLD IN CONTACT AREA.  
SELECTIVE MATTE TIN ON PCB TAILS, NICKEL OVERALL.
  3. REFER TO MOLEX PRODUCT SPECIFICATION PS-170540-999 FOR PERFORMANCE SPECIFICATIONS AND ADDITIONAL PCB INFORMATION.
  4. REFER TO MOLEX PCB ROUTING GUIDE AS-76060-990 FOR ANTIPAD AND ROUTING RECOMMENDATIONS.
  5. CONNECTORS SUPPLIED WITH A 2-56 UNC-2A SCREW.
  6. "THESE DIMENSIONS REPRESENT THE AREA NEEDED TO ACCOMMODATE CONNECTOR INSERTION AND REPAIR ON THE PC BOARD. THIS IS REFERRED TO AS THE "CONNECTOR KEEP OUT ZONE" AND DOES NOT REPRESENT THE ACTUAL PERIMETER OF THE CONNECTOR. WHEN LAYING OUT THE PC BOARD FOR CONNECTORS STACKED TOGETHER, USE A 1.9mm PROGRESSION."
  7. THIS PART CONFORMS TO MOLEX COSMETIC SPEC PS-45499-002 CLASS B.
  8. PARTS PACKAGED PER PK-70873-757.
  9. SEE SHEETS 2 & 3 FOR PART NUMBERS AND BOARD RELATIONSHIPS.
  10. FOR GROUNDED GUIDE PINS USE Ø 3.56 +/-0.08 (PTH), Ø 3.66 (DRILL) & Ø 6.5 (PAD).
  11. KEEP OUT ZONE FOR BP HOUSING LENGTH INCLUDES AN ADDITIONAL 1.0MM TO ACCOMMODATE FOR SPACE REQUIRED BY DC FRONT HOUSING.
  12. MINIMUM CIRCUIT BOARD THICKNESS: 1.0mm

SYMBOLS		THIS DRAWING CONTAINS INFORMATION THAT IS PROPRIETARY TO MOLEX ELECTRONIC TECHNOLOGIES, LLC AND SHOULD NOT BE USED WITHOUT WRITTEN PERMISSION	
▽ = 0	mm	SCALE	4:1
▽ = 0	GENERAL TOLERANCES (UNLESS SPECIFIED)		
▽ = 0	ANGULAR TOL	±	0.5°
▽ = 0	4 PLACES	±	
▽ = 0	3 PLACES	±	
▽ = 0	2 PLACES	±	0.13
▽ = 0	1 PLACE	±	0.25
▽ = 0	0 PLACES	±	
▽ = 0	DRAFT WHERE APPLICABLE MUST REMAIN WITHIN DIMENSIONS		
CURRENT REV		DESC: MIGRATED TO NX	
EC NO: 172491		2018/02/19	
DRWN: VK10		2018/02/20	
CHK'D: DVARVARA		2018/02/22	
APPR: TELO			
INITIAL REVISION:			
DRWN: JBINGHAM		2012/11/13	
APPR: JLAURX		2012/11/16	
THIRD ANGLE PROJECTION		DRAWING SERIES	
C-SIZE		170335	
MATERIAL NUMBER		CUSTOMER	
SEE CHART		GENERAL MARKET	
DOCUMENT NUMBER		DOC TYPE   DOC PART   REVISION	
SD-170335-0003		PSD   001   E1	
SHEET NUMBER		1 OF 3	

DOCUMENT STATUS	P1	RELEASE DATE	2018/02/22	16:21:50
-----------------	----	--------------	------------	----------

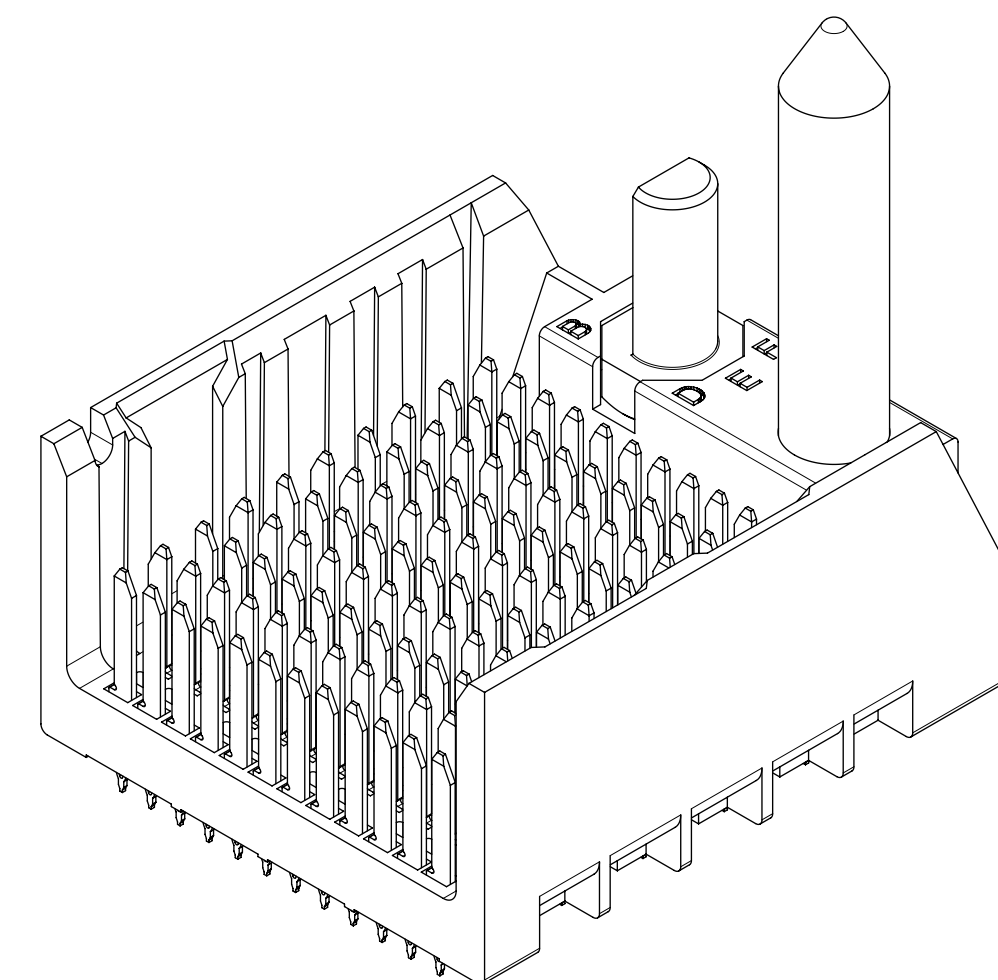
# PART NUMBER CHART

MATERIAL NUMBER	# OF COLUMNS	# OF DIFF PAIR	DIM "A"	DIM "B"	GUIDE RIGHT END WALL OPTION
170335-93**	6	24	19.3	9.50	
170335-98**	8	32	23.1	13.30	
170335-91**	10	40	26.9	17.10	
170335-92**	12	48	30.7	20.90	
170335-94**	14	56	34.5	24.70	
170335-96**	16	64	38.3	28.50	



GUIDE RIGHT  
END WALL  
OPTION

MATERIAL NUMBER	# OF COLUMNS	# OF DIFF PAIR	DIM "A"	DIM "B"	GUIDE RIGHT OPEN WALL OPTION
170335-53**	6	24	17.9	9.50	
170335-58**	8	32	21.7	13.30	
170335-51**	10	40	25.5	17.10	
170335-52**	12	48	29.3	20.90	
170335-54**	14	56	33.1	24.70	
170335-56**	16	64	36.9	28.50	



GUIDE RIGHT  
OPEN WALL  
OPTION

## PART NUMBER LOGIC 170335-\*\*\*\*

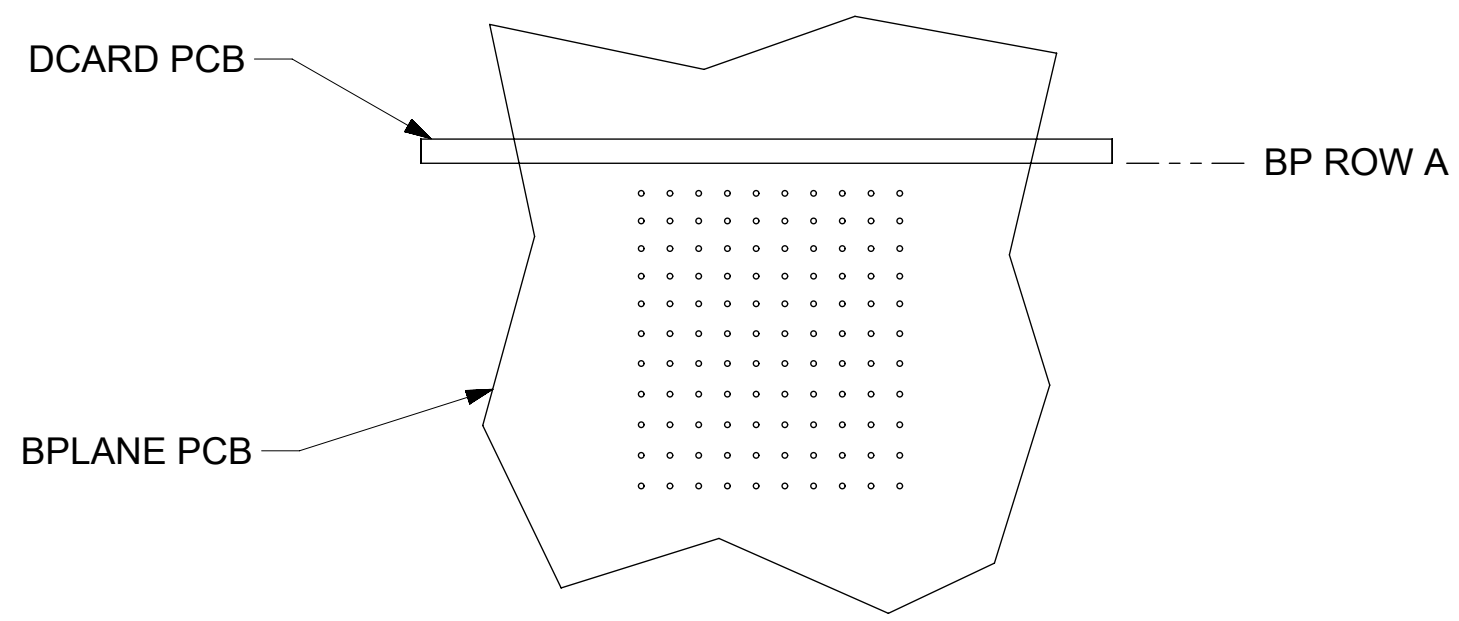
MODULE TYPE  
5 = GUIDE RIGHT, MATTE TIN  
9 = GUIDE RIGHT END WALL, METTA TIN

# OF COLUMNS  
1 = 10 COL  
2 = 12 COL  
3 = 6 COL  
4 = 14 COL  
6 = 16 COL  
8 = 8 COL

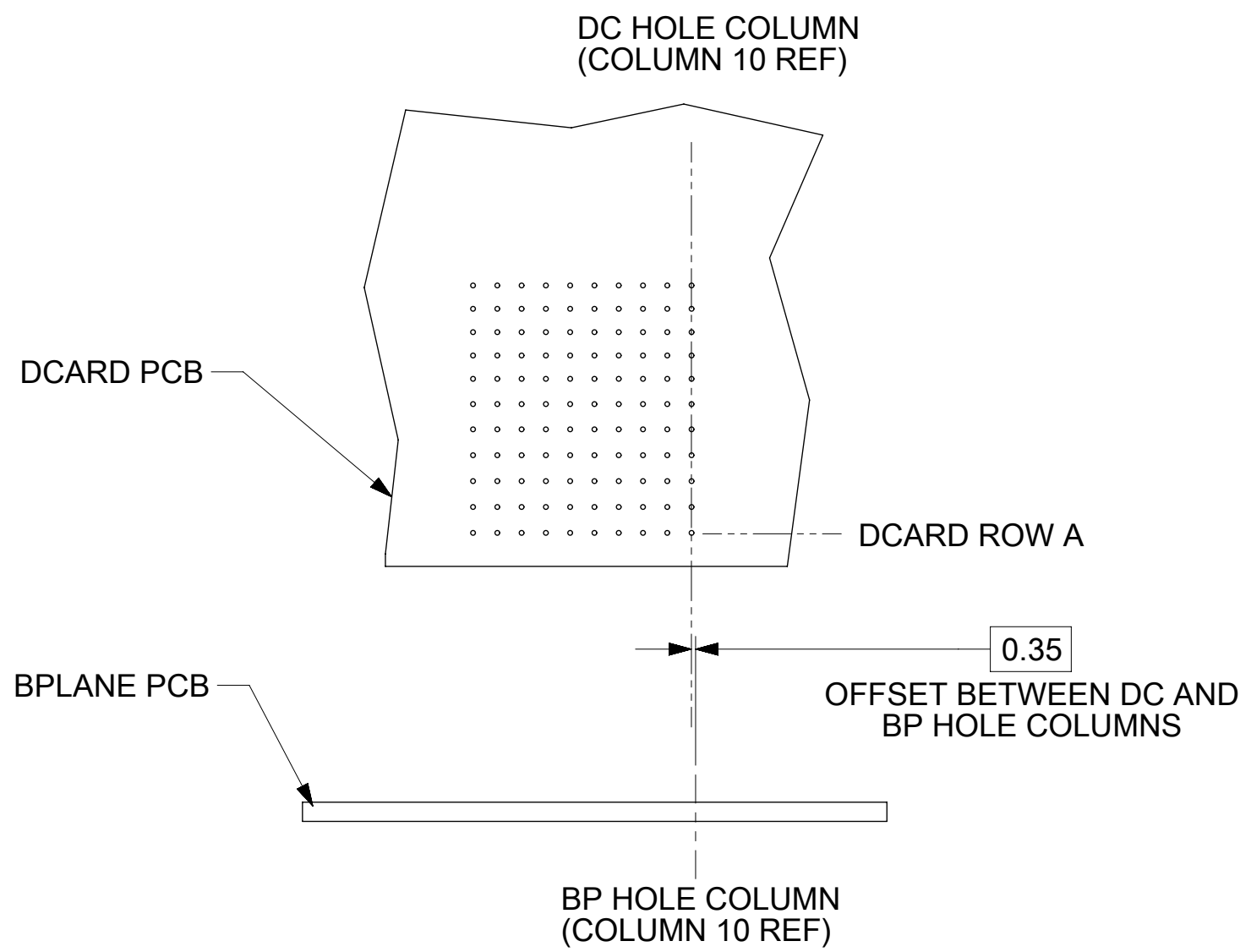
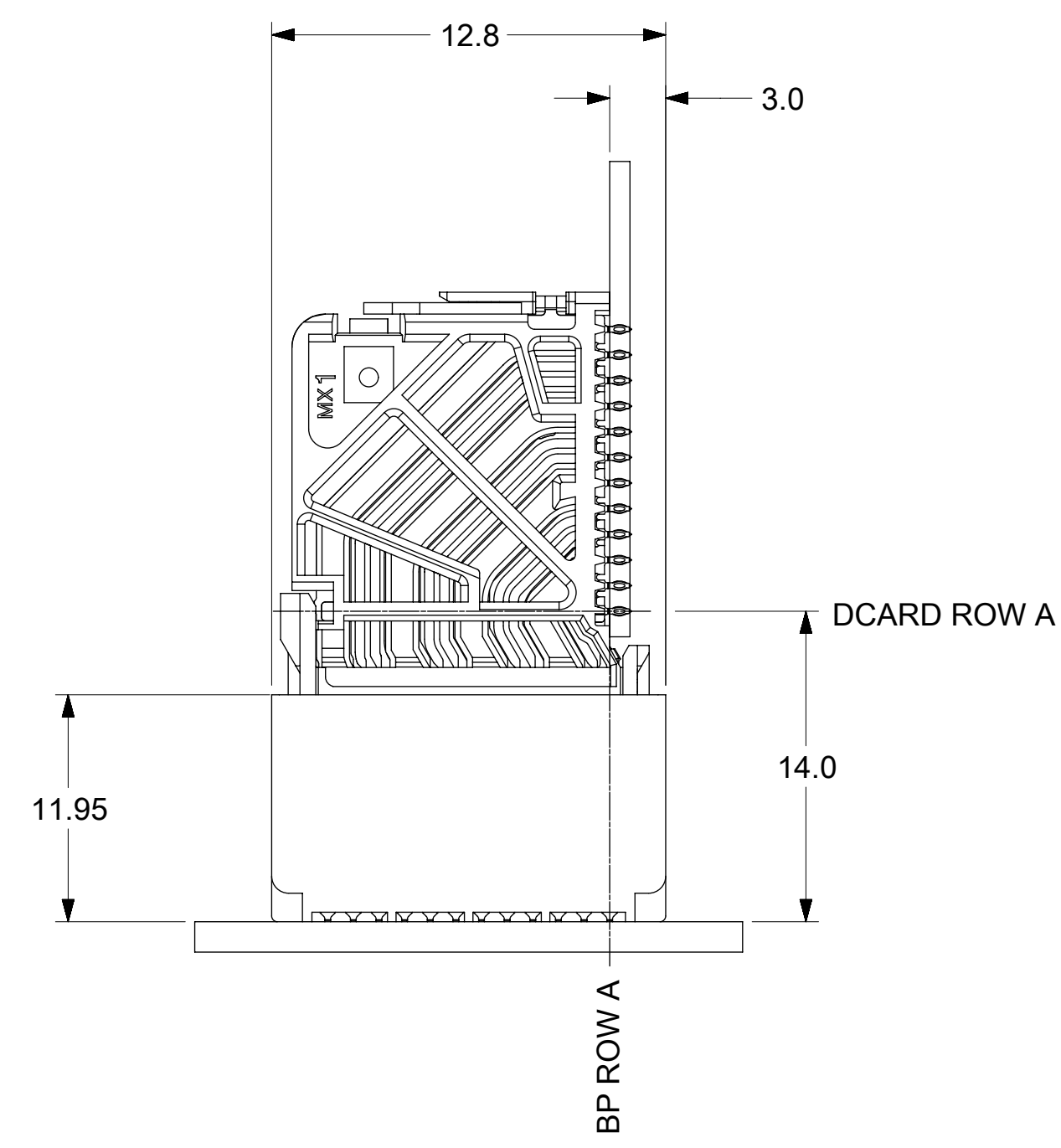
PIN LENGTH (P)  
3 = 4.50 (SHORT COMPLIANT, 0.46±0.05 PTH)  
4 = 4.90 (SHORT COMPLIANT, 0.46±0.05 PTH)  
5 = 5.50 (SHORT COMPLIANT, 0.46±0.05 PTH)  
6 = 4.50 (MICRO COMPLIANT, 0.39±0.05 PTH)  
7 = 4.90 (MICRO COMPLIANT, 0.39±0.05 PTH)  
8 = 5.50 (MICRO COMPLIANT, 0.39±0.05 PTH)

KEY ORIENTATION  
0 = NO KEY  
1 = A  
2 = B  
3 = C  
4 = D  
5 = E  
6 = F  
7 = G  
8 = H

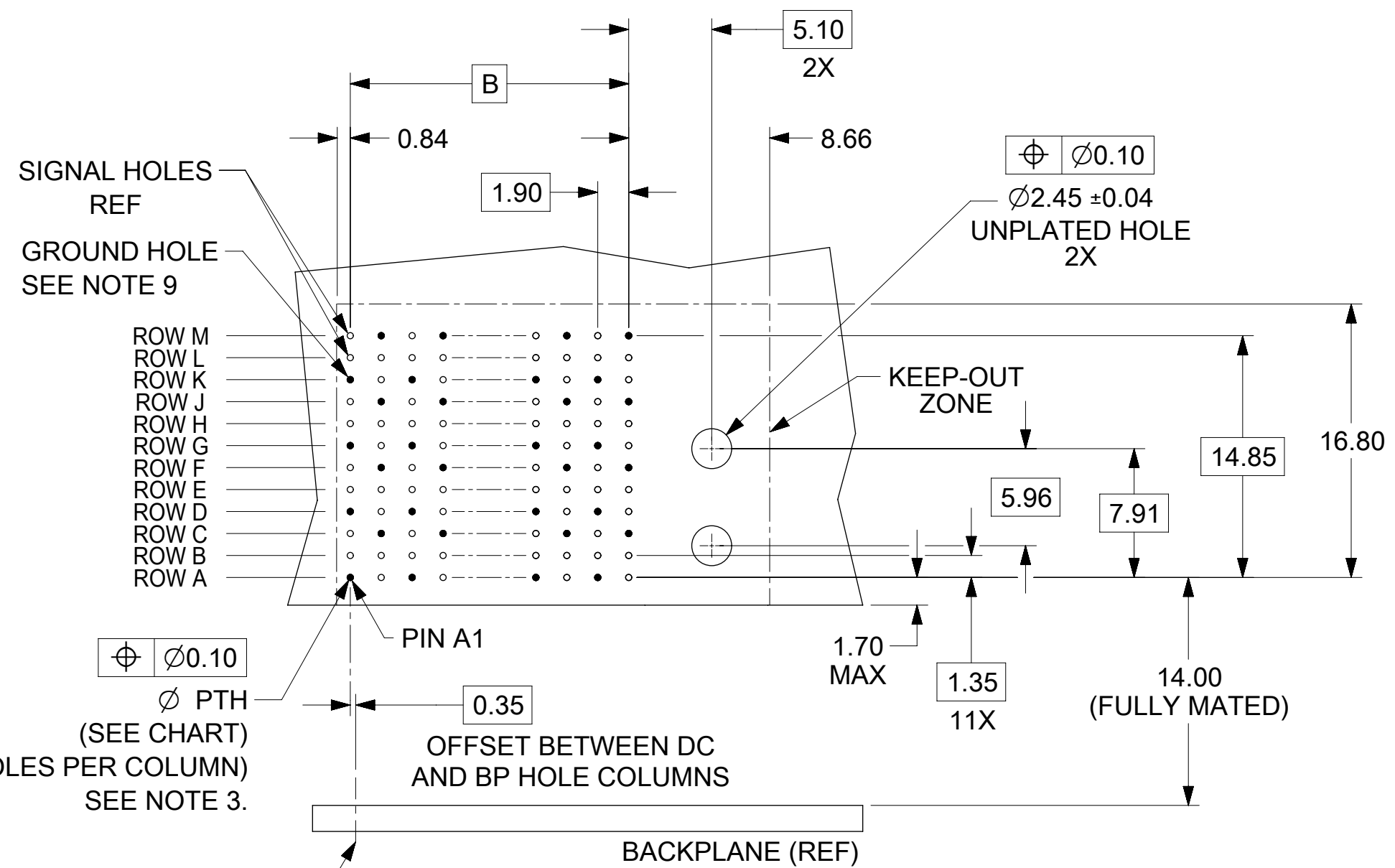
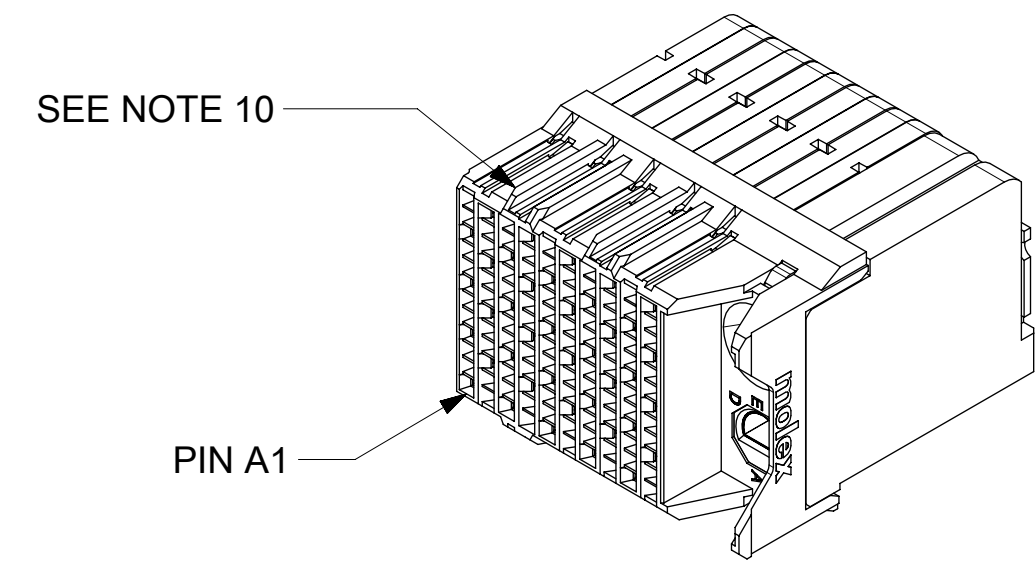
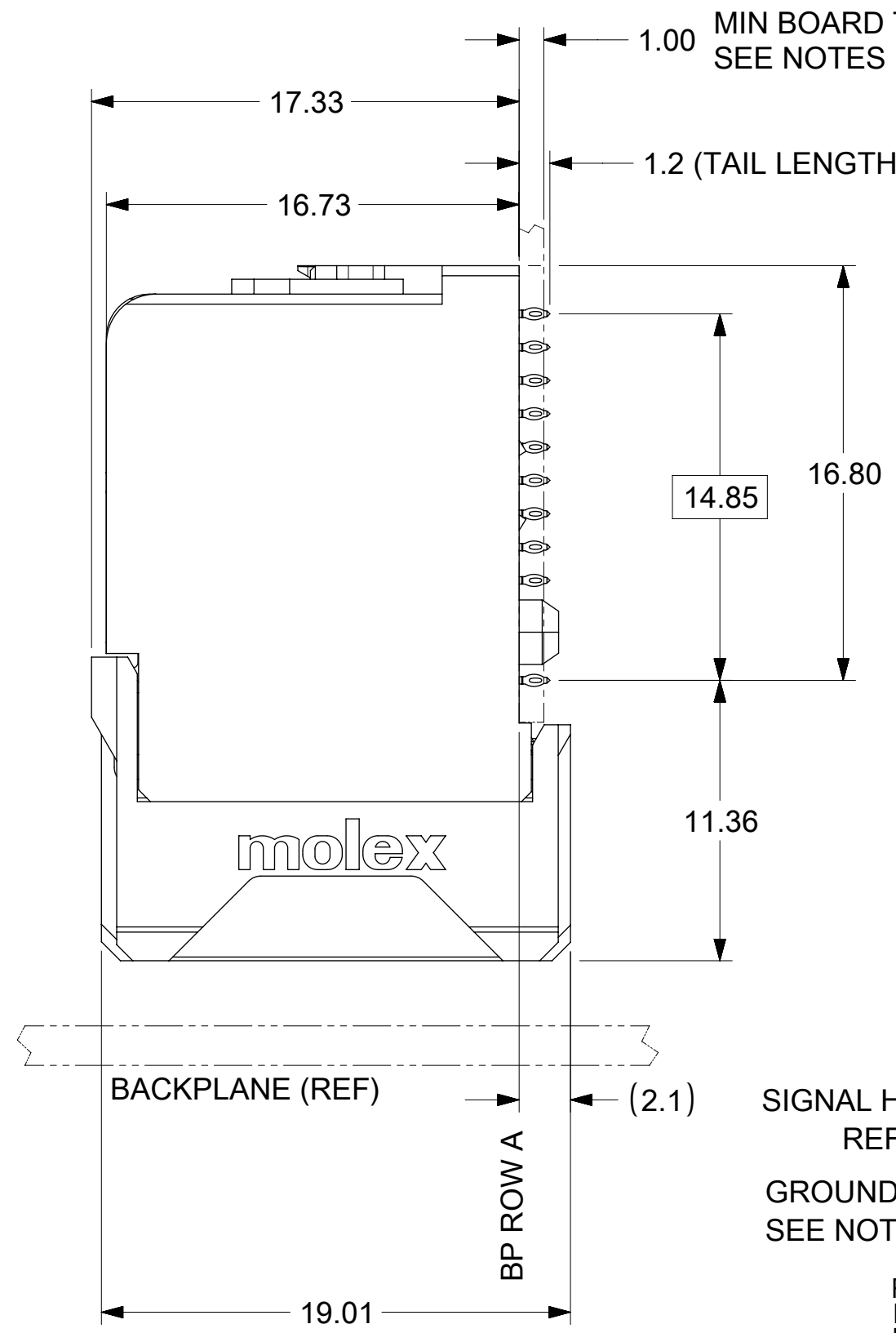
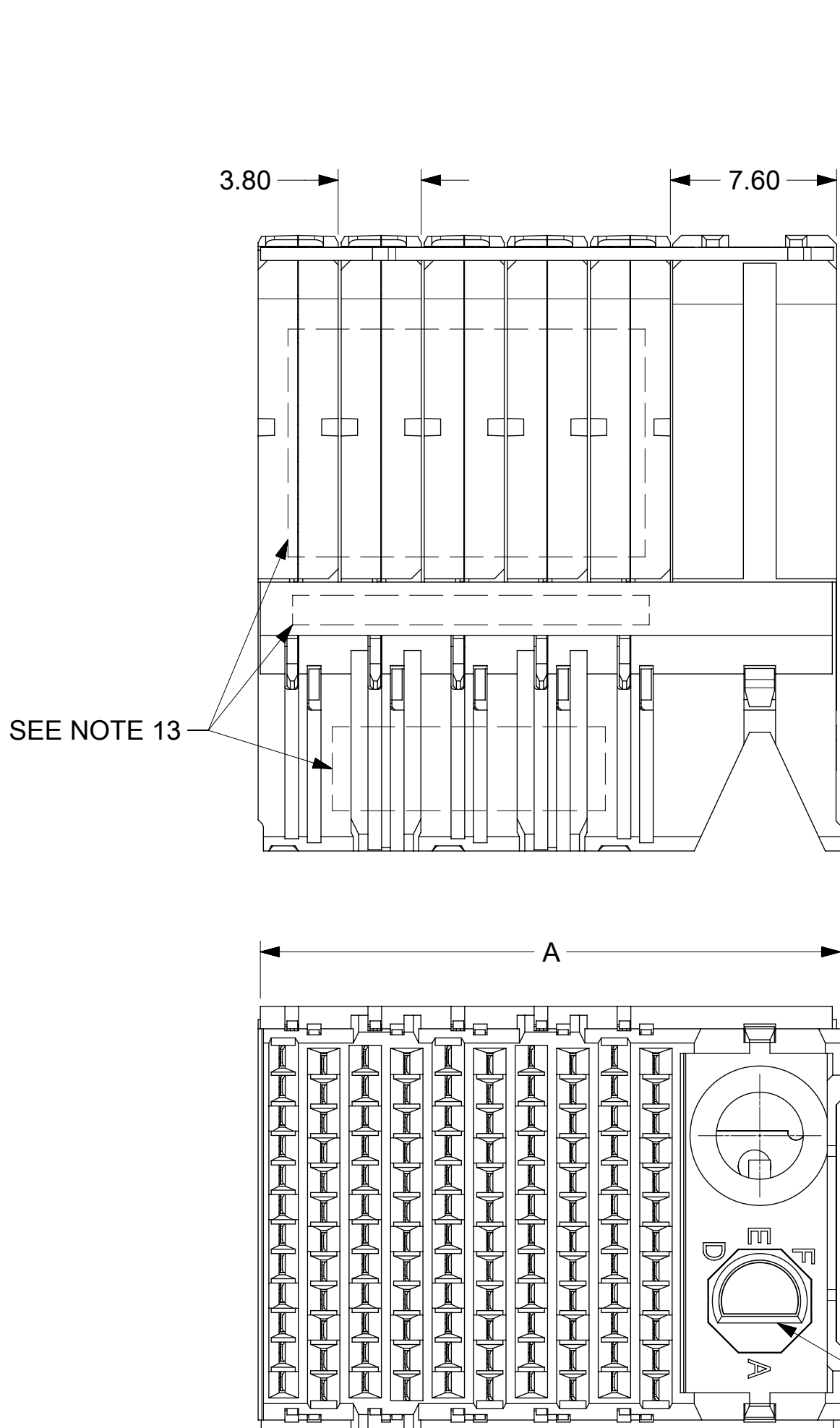
THIS DRAWING CONTAINS INFORMATION THAT IS PROPRIETARY TO MOLEX ELECTRONIC TECHNOLOGIES, LLC AND SHOULD NOT BE USED WITHOUT WRITTEN PERMISSION									
SYMBOLS		DIMENSION UNITS		SCALE		CURRENT REV DESC: MIGRATED TO NX			
▽ = 0		mm		4:1		molex			
▽ = 0		GENERAL TOLERANCES (UNLESS SPECIFIED)				IMPACT 4-PAIR 85-OHM RIGHT GUIDED BACKPLANE SALES ASSEMBLY DRAWING			
▽ = 0		ANGULAR TOL ± 0.5°				PRODUCT CUSTOMER DRAWING			
▽ = 0		4 PLACES ±		EC NO: 172491		DOCUMENT NUMBER			
▽ = 0		3 PLACES ±		DRWN: VK10 2018/02/19		DOC TYPE		DOC PART	
▽ = 0		2 PLACES ± 0.13		CHK'D: DVARVARA 2018/02/20		PSD		001	
▽ = 0		1 PLACE ± 0.25		APPR: TELO 2018/02/22		E1		REVISION	
☒ = 0		0 PLACES ±		INITIAL REVISION:		SD-170335-0003			
■ = 0		DRAFT WHERE APPLICABLE MUST REMAIN WITHIN DIMENSIONS		THIRD ANGLE PROJECTION		SERIES		SHEET NUMBER	
▽ = 0				DRAWING		MATERIAL NUMBER		CUSTOMER	
				C-SIZE		170335		SEE CHART	
						GENERAL MARKET		2 OF 3	



**IMPACT 4 PAIR BOARD RELATIONSHIPS**



THIS DRAWING CONTAINS INFORMATION THAT IS PROPRIETARY TO MOLEX ELECTRONIC TECHNOLOGIES, LLC AND SHOULD NOT BE USED WITHOUT WRITTEN PERMISSION										
SYMBOLS		DIMENSION UNITS		SCALE		CURRENT REV DESC: MIGRATED TO NX				
▽ = 0	mm	2:1		EC NO: 172491 DRWN: VK10 2018/02/19 CHK'D: DVARVARA 2018/02/20 APPR: TELO 2018/02/22 INITIAL REVISION: DRWN: JBINGHAM 2012/11/13 APPR: JLAURX 2012/11/16						
▽ = 0	GENERAL TOLERANCES (UNLESS SPECIFIED)									
▽ = 0	ANGULAR TOL ± 0.5°									
▽ = 0	4 PLACES ±									
▽ = 0	3 PLACES ±									
▽ = 0	2 PLACES ± 0.13			PRODUCT CUSTOMER DRAWING						
▽ = 0	1 PLACE ± 0.25			DOCUMENT NUMBER		DOC TYPE		DOC PART		REVISION
▽ = 0	0 PLACES ±			SD-170335-0003		PSD		001	E1	
▽ = 0	DRAFT WHERE APPLICABLE MUST REMAIN WITHIN DIMENSIONS			THIRD ANGLE PROJECTION		DRAWING		SERIES		SHEET NUMBER
▽ = 0				C-SIZE		170335		SEE CHART		GENERAL MARKET
DOCUMENT STATUS		P1		RELEASE DATE		2018/02/22		16:21:50		3 OF 3



- NOTES:**
1. MATERIALS: HOUSING - GRAY LIQUID CRYSTAL POLYMER (LCP), GLASS-FILLED, UL94V-0  
TERMINALS - HIGH PERFORMANCE COPPER ALLOY
  2. FINISH: 30µIN MIN SELECTIVE GOLD IN CONTACT AREA, SELECTIVE TIN  
ON PCB TAILS. NICKEL OVERALL.
  3. REFER TO MOLEX PRODUCT SPEC PS-170540-999 FOR PERFORMANCE SPECIFICATIONS  
AND ADDITIONAL PCB INFORMATION.
  4. EACH SIGNAL WAFER CONTAINS 2 COLUMNS OF TERMINALS.
  5. PRODUCT IS PACKAGED PER PK-70873-610.
  6. THIS PART CONFORMS TO CLASS B REQUIREMENTS OF COSMETIC SPEC PS-45499-002.
  7. REFER TO MOLEX SALES DRAWING SD-170335-0003 FOR THE MATING HEADERS.
  8. REFER TO MOLEX PCB ROUTING GUIDE AS-76060-990 FOR THE ANTIPAD AND ROUTING  
RECOMMENDATIONS.
  9. GROUND PATHS ARE NOT DISCRETE CIRCUITS WITHIN CONNECTOR DUE TO PRESENCE  
OF PLUS CLIP.
  10. PART NUMBER 170340-5120 SHOWN ON DRAWING. KEYING FEATURES WILL CHANGE  
WITH COLUMN SIZE.
  11. MINIMUM BOARD THICKNESS IS 1.00 mm FOR COMPLIANT PIN FUNCTIONALITY.
  12. WHEN USING MOLEX SUPPLIED #2-32 SCREW 73726-0000, THE MAXIMUM BOARD  
THICKNESS IS 4.4 mm.
  13. MARKING: LOCATED APPROXIMATELY AS SHOWN. PART NUMBER AND DATE CODE.

**DAUGHTERCARD HOLE PATTERN  
(CONNECTOR SIDE)**

THIS DRAWING CONTAINS INFORMATION THAT IS PROPRIETARY TO MOLEX ELECTRONIC TECHNOLOGIES, LLC AND SHOULD NOT BE USED WITHOUT WRITTEN PERMISSION									
DIMENSION UNITS		SCALE		CURRENT REV DESC: UPDATED PN SCHEME AS RIGHT ON SHEET 2					
mm		NTS		<p>IMPACT 4-PAIR 85-OHM DAUGHTERCARD SIGNAL GUIDE RIGHT SALES DWG</p> <p>PRODUCT CUSTOMER DRAWING</p> <p>DOCUMENT NUMBER: SD-170340-0004   DOC TYPE: PSD   DOC PART: 001   REVISION: B6</p> <p>MATERIAL NUMBER: SEE CHART   CUSTOMER: GENERAL MARKET   SHEET NUMBER: 1 OF 2</p>					
GENERAL TOLERANCES (UNLESS SPECIFIED)									
ANGULAR TOL ± 0.5°									
4 PLACES ±									
3 PLACES ±									
2 PLACES ± 0.13									
1 PLACE ± 0.25									
0 PLACES ±				INITIAL REVISION:		2010/05/12		2011/01/25	
DRAFT WHERE APPLICABLE MUST REMAIN WITHIN DIMENSIONS		THIRD ANGLE PROJECTION		DRAWING		SERIES		MATERIAL NUMBER	
				C-SIZE		170340		SEE CHART	

MATERIAL NUMBER	# OF COLUMNS	# OF DIFF PAIR	DIM "A" MAX	DIM "B"	PTH $\phi$
170340-5*06	6	24	19.00	9.50	0.46 $\pm 0.05$
170340-5*08	8	32	22.80	13.30	
170340-5*10	10	40	26.60	17.10	
170340-5*12	12	48	30.40	20.90	
170340-5*14	14	56	34.20	24.70	
170340-5*16	16	64	38.00	28.50	
170340-5*36	6	24	19.00	9.50	0.39 $\pm 0.05$
170340-5*38	8	32	22.80	13.30	
170340-5*20	10	40	26.60	17.10	
170340-5*22	12	48	30.40	20.90	
170340-5*24	14	56	34.20	24.70	
170340-5*26	16	64	38.00	28.50	

170340-\*\*\*\*

MODULE & TAIL PLATING TYPE  
5 = RIGHT GUIDED LEAD-FREE

POLARIZATION KEY ORIENTATION  
0 = NO KEY  
1 = A    5 = E  
2 = B    6 = F  
3 = C    7 = G  
4 = D    8 = H

# OF COLUMNS  
06 = 6 COL 0.46 PTH  
08 = 8 COL 0.46 PTH  
10 = 10 COL 0.46 PTH  
12 = 12 COL 0.46 PTH  
14 = 14 COL 0.46 PTH  
16 = 16 COL 0.46 PTH  
20 = 10 COL 0.39 PTH  
22 = 12 COL 0.39 PTH  
24 = 14 COL 0.39 PTH  
26 = 16 COL 0.39 PTH  
36 = 6 COL 0.39 PTH  
38 = 8 COL 0.39 PTH

THIS DRAWING CONTAINS INFORMATION THAT IS PROPRIETARY TO MOLEX ELECTRONIC TECHNOLOGIES, LLC AND SHOULD NOT BE USED WITHOUT WRITTEN PERMISSION									
DIMENSION UNITS	SCALE	CURRENT REV DESC: UPDATED PN SCHEME AS RIGHT ON SHEET 2			<b>molex</b>				
mm	NTS								
GENERAL TOLERANCES (UNLESS SPECIFIED)		EC NO: 668643			IMPACT 4-PAIR 85-OHM DAUGHTERCARD SIGNAL GUIDE RIGHT SALES DWG				
ANGULAR TOL	$\pm 0.5^\circ$	DRWN: CD 2021/06/25			PRODUCT CUSTOMER DRAWING				
4 PLACES	$\pm$	CHK'D: SHONG 2021/07/16			DOCUMENT NUMBER				
3 PLACES	$\pm$	APPR: SHONG 2021/07/16			SD-170340-0004				
2 PLACES	$\pm 0.13$	INITIAL REVISION:			DOC TYPE				
1 PLACE	$\pm 0.25$	DRWN: TELO 2010/05/12			PSD				
0 PLACES	$\pm$	APPR: TELO 2011/01/25			DOC PART				
DRAFT WHERE APPLICABLE MUST REMAIN WITHIN DIMENSIONS		THIRD ANGLE PROJECTION	DRAWING	SERIES	MATERIAL NUMBER	CUSTOMER	REVISION		
			C-SIZE	170340	SEE CHART	GENERAL MARKET	001	B6	
								SHEET NUMBER	
								2 OF 2	

DOCUMENT STATUS	P1	RELEASE DATE	2021/07/16	03:06:11
-----------------	----	--------------	------------	----------