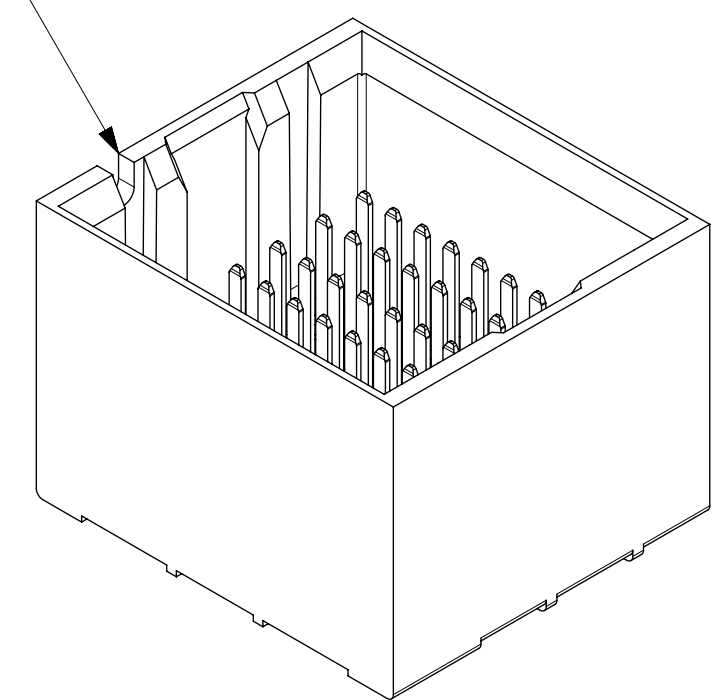


NOTCH DESIGNATES ROW A



(DUAL ENDWALL SHOWN)

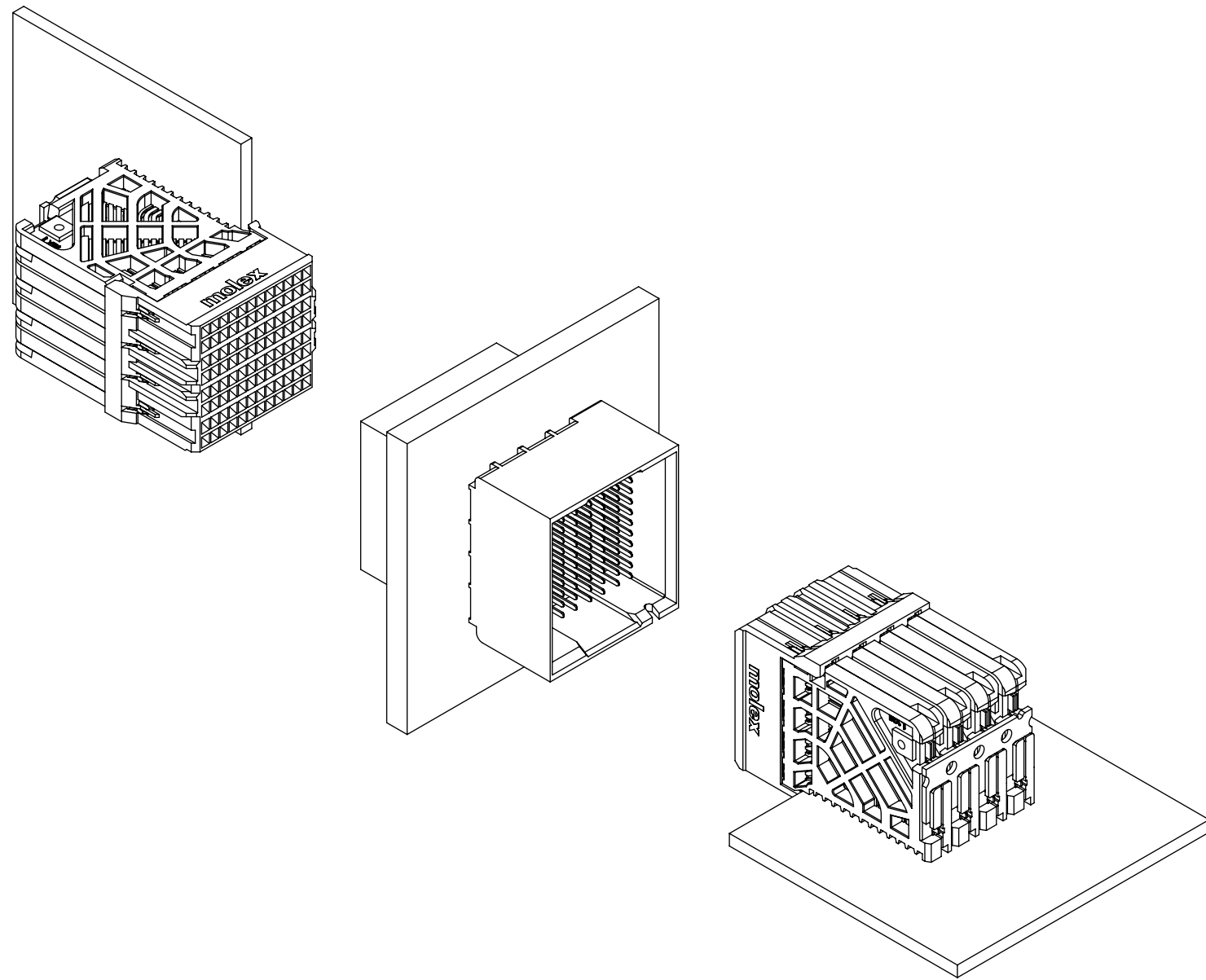
NOTES:

1. MATERIALS: HOUSING - LIQUID CRYSTAL POLYMER (LCP) GLASS-FILLED, UL94V-0
TERMINALS - HIGH PERFORMANCE COPPER ALLOY
2. FINISH: 30 μ MIN GOLD IN CONTACT AREA.
SELECTIVE TIN OR TIN-LEAD ON PCB TAILS.
NICKEL OVERALL.
3. REFER TO MOLEX PRODUCT SPECIFICATION PS-76060-999 FOR PERFORMANCE SPECIFICATIONS AND ADDITIONAL PCB INFORMATION.
4. THIS PART CONFORMS TO CLASS B REQUIREMENTS OF COSMETIC SPEC PS-45499-002.
5. PRODUCT IS PACKAGED PER PK-70873-7705.
6. SEE SHEETS 2 AND 3 FOR PART NUMBERS AND ORTHOGONAL PIN MAPPING.
7. REFER TO MOLEX SALES DRAWING SD-76860-001 FOR THE MATING RECEPTACLES.
8. REFER TO MOLEX ROUTING GUIDE AS-76850-990 FOR ADDITIONAL PCB LAYOUT AND ROUTING RECOMMENDATIONS.
9. "THESE DIMENSIONS REPRESENT THE AREA NEEDED TO ACCOMODATE CONNECTOR INSERTION AND REPAIR ON THE PC BOARD. THIS DOES NOT REPRESENT THE ACTUAL PERIMETER OF THE CONNECTOR."

QUALITY SYMBOLS	THIS DRAWING CONTAINS INFORMATION THAT IS PROPRIETARY TO MOLEX ELECTRONIC TECHNOLOGIES, LLC AND SHOULD NOT BE USED WITHOUT WRITTEN PERMISSION		DIMENSION UNITS	SCALE	
▽ = 0	EC NO: 123283 DRWN: ABN CHKD: ABN APPR: PRAMASWAMY MIGRATED TO NX	GENERAL TOLERANCES (UNLESS SPECIFIED)	mm	4:1	
▽ = 0		ANGULAR TOL ± 0.5 °	DRWN BY	DATE	
▽ = 0		4 PLACES ±	ARIZVI01	2013/04/01	
▽ = 0		3 PLACES ±	CHKD BY	DATE	
▽ = 0	2 PLACES ± 0.13	PRAMASWAMY	2017/10/13	PRODUCT CUSTOMER DRAWING SERIES MATERIAL NUMBER CUSTOMER 76855 SEE CHART GENERAL MARKET	
▽ = 0	1 PLACE ± 0.25	APPR BY	DATE		
▽ = 0	0 PLACES ±	TELO	2015/03/24	DOCUMENT NUMBER DOC TYPE DOC PART SHEET NUMBER SD-76855-001 PSD 001 1 OF 3	
▽ = 0	DRAFT WHERE APPLICABLE MUST REMAIN WITHIN DIMENSIONS	DRAWING SIZE	THIRD ANGLE PROJECTION		
▽ = 0	F3	C			

ORTHO OPTION 270

NEAR SIDE PIN A1 MAPS
TO FAR SIDE PIN A1



MATERIAL NUMBER	# OF COLUMNS	# OF DIFF PAIR	DIM A	DIM B	DIM C
76855-*60*	6	18	12.0	10.00	10.40
76855-*62*	6	18	14.8	10.00	10.40
76855-*80*	8	24	16.1	14.05	14.45
76855-*82*	8	24	18.9	14.05	14.45

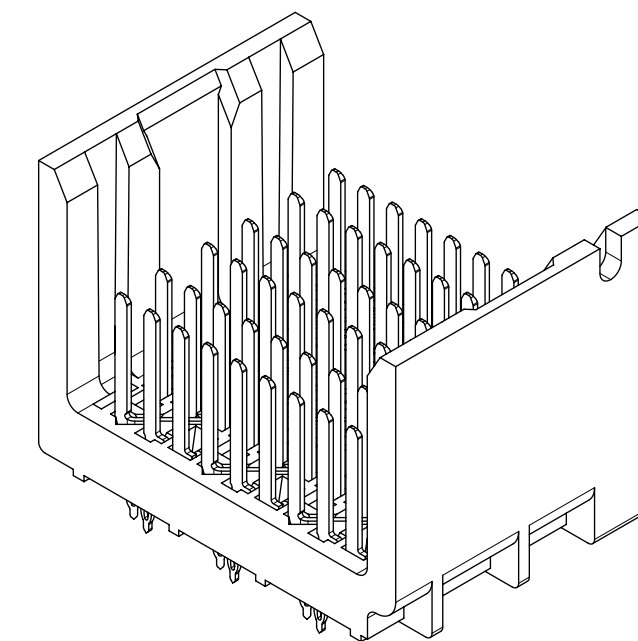
76855- * * * *

MODULE & TAIL PLATING TYPE
0 = UNGUIDED, TIN/LEAD
1 = UNGUIDED, TIN

OF COLUMNS
6 = 6 COLUMNS
8 = 8 COLUMNS

PIN LENGTH (P)
4 = 4.90 (0.46 PTH)
5 = 5.50 (0.46 PTH)
7 = 4.90 (0.39 PTH)
8 = 5.50 (0.39 PTH)

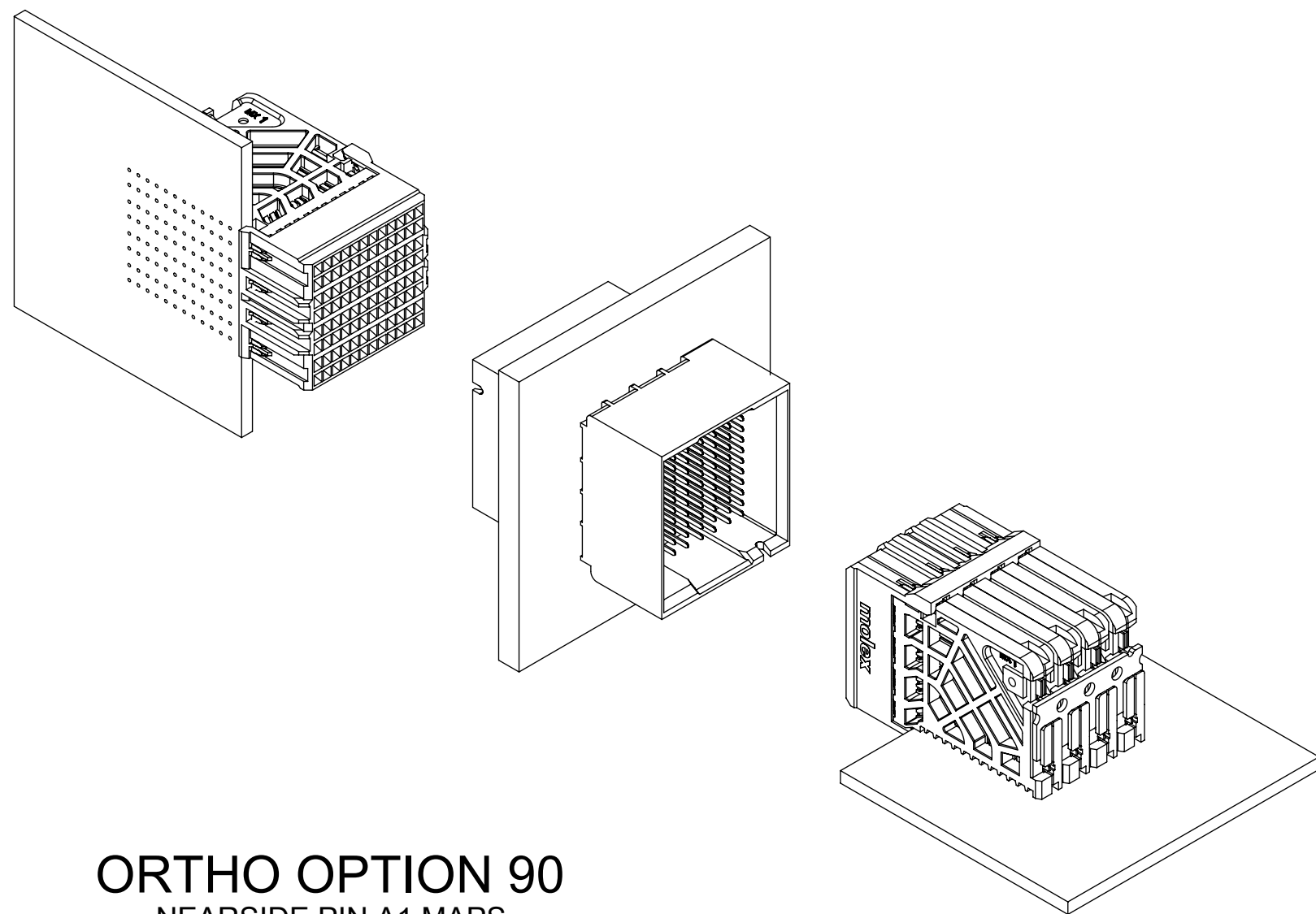
ENDWALL OPTIONS
0 = OPEN ENDS
2 = DUAL ENDWALL



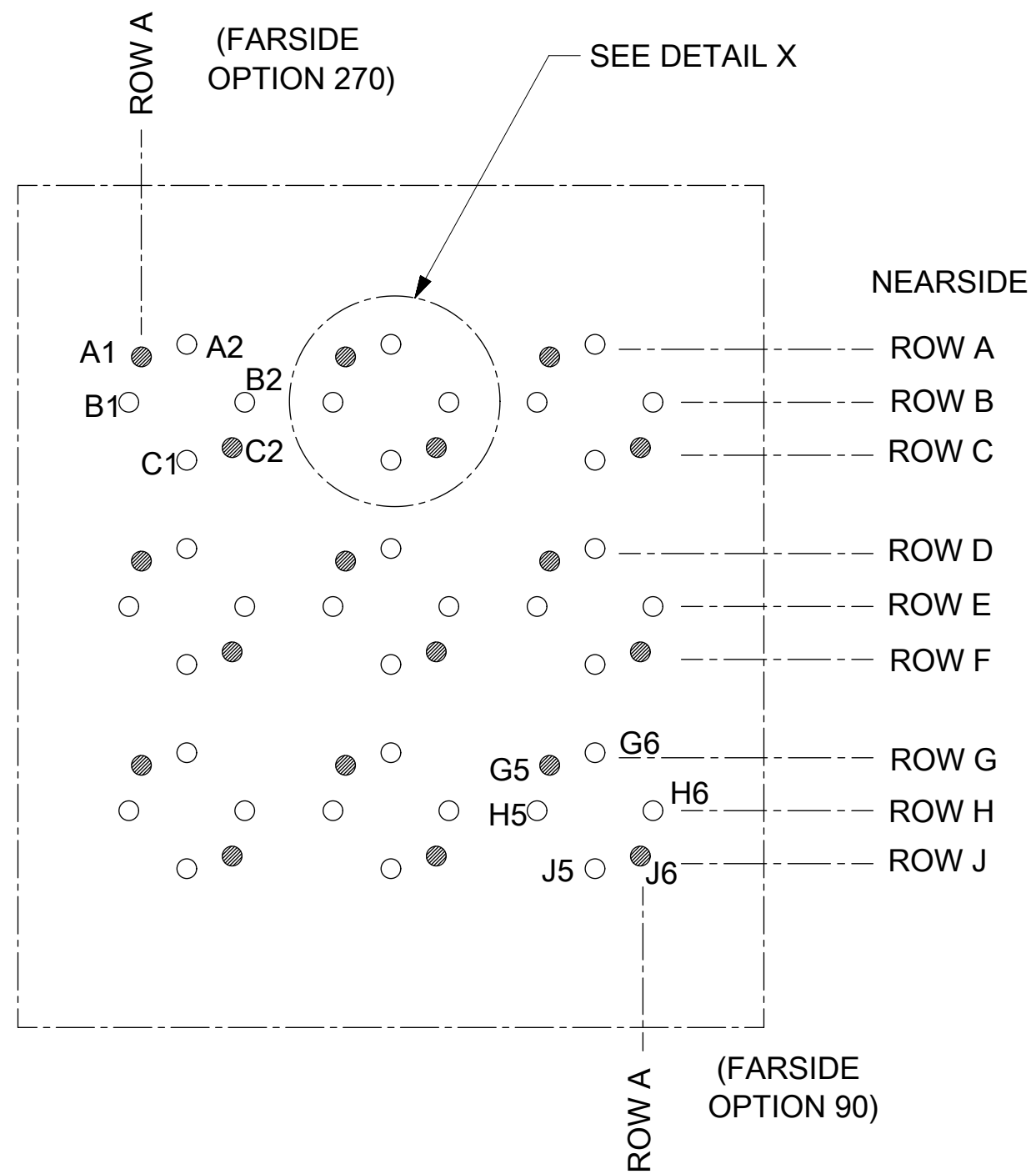
OPEN END OPTION

ORTHO OPTION 90

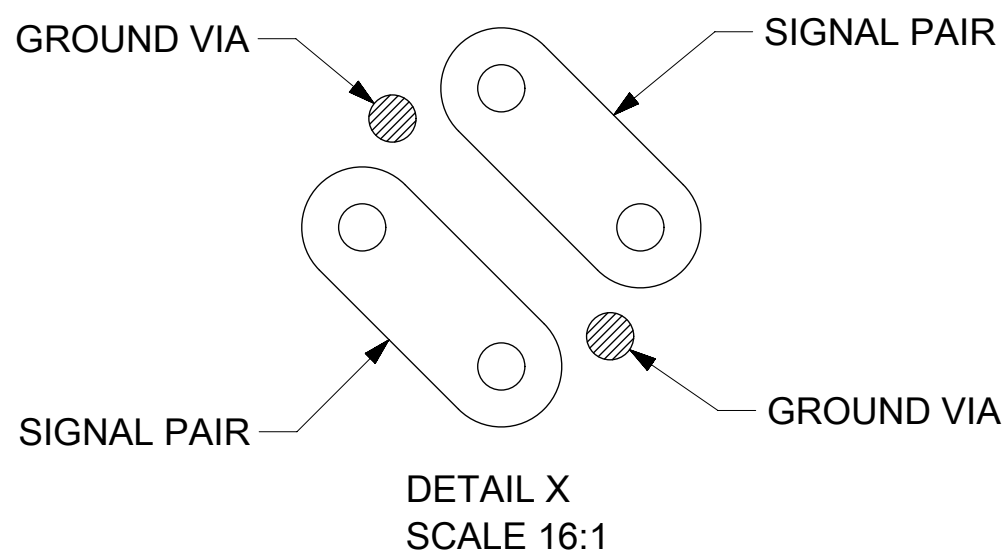
NEAR SIDE PIN A1 MAPS
TO FAR SIDE PIN J6
(FOR SQUARE PATTERN)



QUALITY SYMBOLS ▽ = 0 ▽ = 0 ▽ = 0 ▽ = 0 ▽ = 0 ▽ = 0 ▽ = 0 ▽ = 0 ▽ = 0 ▽ = 0	THIS DRAWING CONTAINS INFORMATION THAT IS PROPRIETARY TO MOLEX ELECTRONIC TECHNOLOGIES, LLC AND SHOULD NOT BE USED WITHOUT WRITTEN PERMISSION													
	MIGRATED TO NX		2017/10/17		2017/10/17		2017/10/18		GENERAL TOLERANCES (UNLESS SPECIFIED)		DIMENSION UNITS		SCALE	
	EC NO: 123283		DRWN: ABN		CHKD: ABN		APPR: PRAMASWAMY		ANGULAR TOL ± 0.5 °		mm		4:1	
	4 PLACES ±		3 PLACES ±		2 PLACES ± 0.13		1 PLACE ± 0.25		0 PLACES ±		DRWN BY		DATE	
	DRAFT WHERE APPLICABLE MUST REMAIN WITHIN DIMENSIONS		C		THIRD ANGLE PROJECTION		ARIZVI01		2013/04/01		CHKD BY		DATE	
	TELO		2015/03/24		PRAMASWAMY		2017/10/13		APPR BY		DATE		PRODUCT CUSTOMER DRAWING	
	SERIES		MATERIAL NUMBER		CUSTOMER		76855		SEE CHART		GENERAL MARKET			
	DOCUMENT NUMBER		DOC TYPE		DOC PART		SHEET NUMBER		SD-76855-001		PSD		001 2 OF 3	
	RELEASE STATUS		P1		RELEASE DATE		18.10.2017		06:14:21					



MIDPLANE PCB LAYOUT



ORTHO PIN MAPPING					
OPTION 270 (NEARSIDE - FARSIDE)					
A1-A1	A2-B1	A3-D1	A4-E1	A5-G1	A6-H1
B1-A2	B2-C1	B3-D2	B4-F1	B5-G2	B6-J1
C1-B2	C2-C2	C3-E2	C4-F2	C5-H2	C6-J2
D1-A3	D2-B3	D3-D3	D4-E3	D5-G3	D6-H3
E1-A4	E2-C3	E3-D4	E4-F3	E5-G4	E6-J3
F1-B4	F2-C4	F3-E4	F4-F4	F5-H4	F6-J4
G1-A5	G2-B5	G3-D5	G4-E5	G5-G5	G6-H5
H1-A6	H2-C5	H3-D6	H4-F5	H5-G6	H6-J5
J1-B6	J2-C6	J3-E6	J4-F6	J5-H6	J6-J6

ORTHO PIN MAPPING					
OPTION 90 (NEARSIDE - FARSIDE)					
A1-J6	A2-H6	A3-F6	A4-E6	A5-C6	A6-B6
B1-J5	B2-G6	B3-F5	B4-D6	B5-C5	B6-A6
C1-H5	C2-G5	C3-E5	C4-D5	C5-B5	C6-A5
D1-J4	D2-H4	D3-F4	D4-E4	D5-C4	D6-B4
E1-J3	E2-G4	E3-F3	E4-D4	E5-C3	E6-A4
F1-H3	F2-G3	F3-E3	F4-D3	F5-B3	F6-A3
G1-J2	G2-H2	G3-F2	G4-E2	G5-C2	G6-B2
H1-J1	H2-G2	H3-F1	H4-D2	H5-C1	H6-A2
J1-H1	J2-G1	J3-E1	J4-D1	J5-B1	J6-A1

NOTE: PINOUTS SHOWN IN BALLOONS ARE GROUNDS.
PINOUTS SHOWN ARE FOR SQUARE (6 COLUMN) PATTERN ONLY.

QUALITY SYMBOLS	THIS DRAWING CONTAINS INFORMATION THAT IS PROPRIETARY TO MOLEX ELECTRONIC TECHNOLOGIES, LLC AND SHOULD NOT BE USED WITHOUT WRITTEN PERMISSION					
▽ = 0	EC NO: 123283 DRWN: ABN CHKD: ABN APPR: PRAMASWAMY MIGRATED TO NX 2017/10/17 2017/10/17 2017/10/18	GENERAL TOLERANCES (UNLESS SPECIFIED)		DIMENSION UNITS	SCALE	
▽ = 0		ANGULAR TOL ± 0.5 °		mm	1:1	
▽ = 0		4 PLACES ±	DRWN BY		DATE	
▽ = 0		3 PLACES ±	ARIZVI01	2013/04/01		
▽ = 0		2 PLACES ± 0.13	CHKD BY		DATE	
▽ = 0		1 PLACE ± 0.25	PRAMASWAMY	2017/10/13		
▽ = 0		0 PLACES ±	APPR BY		DATE	
▽ = 0		DRAFT WHERE APPLICABLE MUST REMAIN WITHIN DIMENSIONS		TELO	2015/03/24	
▽ = 0				DRAWING SIZE	THIRD ANGLE PROJECTION	
▽ = 0				C		
					IMPACT 3 PAIR HEADER ORTHOGONAL ASSEMBLY UNGUIDED SALES DRAWING	
			PRODUCT CUSTOMER DRAWING		SERIES: 76855 MATERIAL NUMBER: SEE CHART CUSTOMER: GENERAL MARKET	
			DOCUMENT NUMBER: SD-76855-001 DOC TYPE: PSD DOC PART: 001 SHEET NUMBER: 3 OF 3			