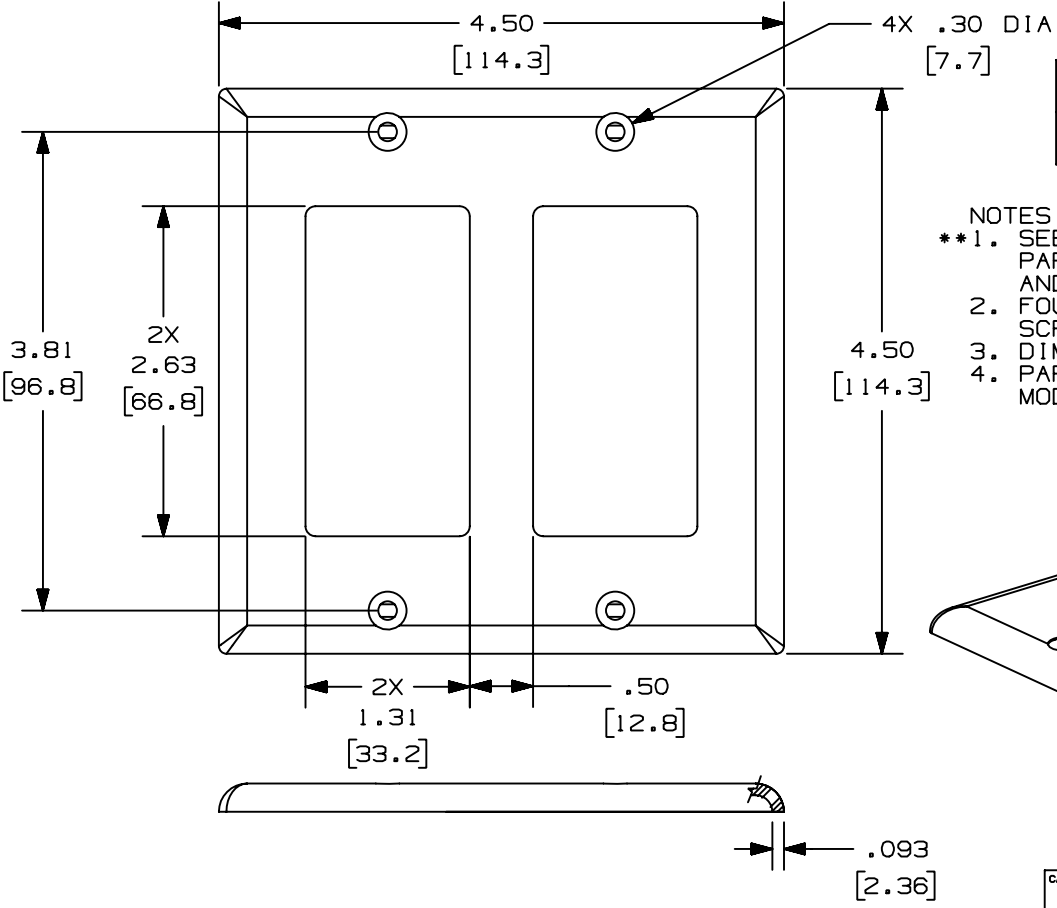
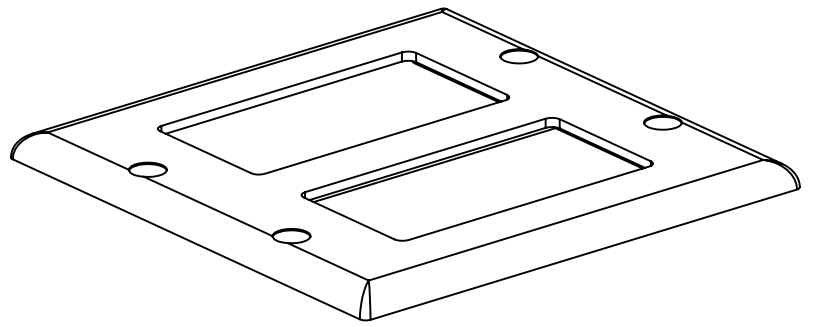


THIS COPY IS PROVIDED ON A RESTRICTED BASIS AND IS NOT TO BE USED IN ANY WAY DETRIMENTAL TO THE INTERESTS OF PANDUIT CORP.



PANDUIT P/N	WEIGHT
CPG***-2G	.494 LB/10 PCS (224.7 g/10 PCS)

- NOTES:
- **1. SEE CURRENT CATALOG FOR ADDITIONAL PART NUMBER SUFFIXES TO INDICATE COLOR AND OR PACKAGE QUANTITY.
 2. FOUR (4) #6-32 X 1/4" SLOTTED OVAL HEAD SCREWS ARE INCLUDED WITH THIS PART.
 3. DIMENSIONS IN PARENTHESES ARE IN METRIC.
 4. PART ACCEPTS TWO (2) OF THE 3 TYPES OF GFCI MODULE FRAMES, CFG1, CFG2, AND CFG4.



CAD FILENAME/LAYERS (9736402) M00123BA_DC_00B.PRT

PANDUIT CORP. TINLEY PARK, ILLINOIS
 CLASSIC SERIES "GFCI" DOUBLE GANG FACEPLATE (CPG***-2G)
 CUSTOMER DRAWING

UNLESS OTHERWISE SPECIFIED, DIMENSIONAL TOLERANCES ARE:
 (.X) ± (.XXX) ±.010(.3)
 (.XX) ±.03(.8) ANGLES ±

UNLESS OTHERWISE SPECIFIED, ALL DIMENSIONS ARE GIVEN IN INCHES, THIRD ANGLE PROJECTION.

REV	DATE	BY	CHK	DESCRIPTION	ECN	CHK	CUST	SUP
1	06-28-99	DW	HIW	A. REVISED TITLE NAME	00123-02	HIW	HIW	
R	08-29-97	RCA	CEF	RELEASED TO PRODUCTION	00123-02	CEF	CEF	

DRAWN BY RCA	MAT'L: ABS	SCALE NONE
DATE 08-29-97		DRAWING NO. 00123-02
CHECKED BY CEF		DWG A SIZE