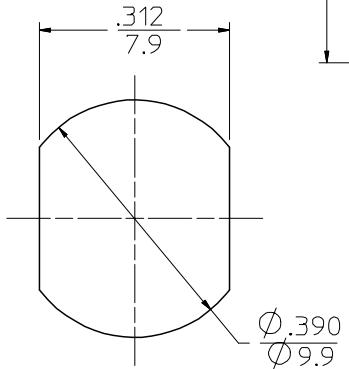
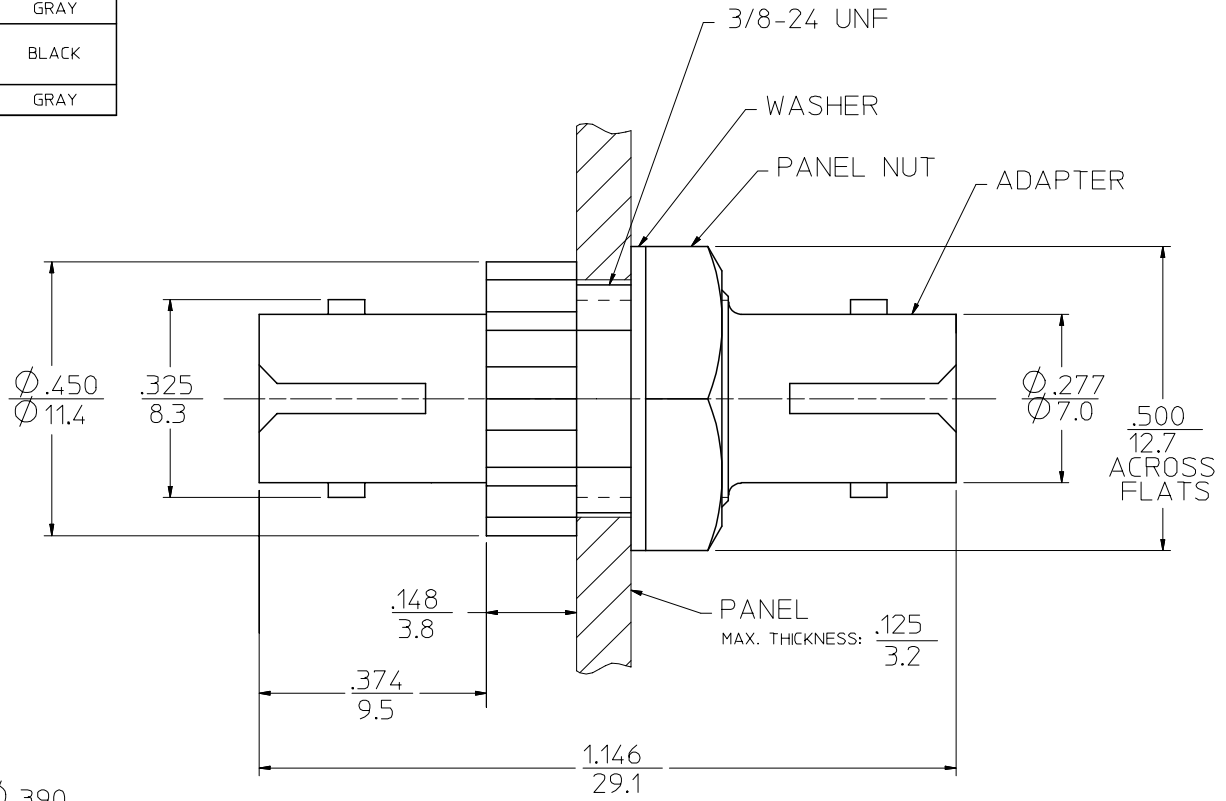
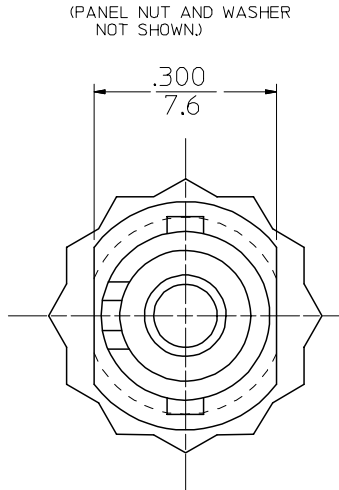


P/N of ADAPTER	MATERIAL of SLEEVE	COLOR of DUST CAP	COLOR of BODY
106110-0000	CERAMIC	BLACK	BLACK
106196-0430		RED	BLACK
106110-0040		BLACK	YELLOW
106110-0090			GRAY
106112-0000	PHOSPHOR BRONZE	RED	BLACK
106113-0000	PLASTIC		BLACK
106113-0090			GRAY



RECOMMENDED MOUNTING HOLE



(PANEL NUT AND WASHER NOT SHOWN)

ENTER DESCRIPTION EC NO: MF2007-0165 DRWNG: DRWNGKPEVZNER CHKD: 2006/09/07 APPR: IGUMIN 2006/09/11 REV B1	QUALITY SYMBOLS ▽=0 ▽=0	GENERAL TOLERANCES (UNLESS SPECIFIED) <table border="1"> <thead> <tr> <th></th> <th>mm</th> <th>INCH</th> </tr> </thead> <tbody> <tr> <td>4 PLACES</td> <td>± .005</td> <td>± .0004</td> </tr> <tr> <td>3 PLACES</td> <td>± .004</td> <td>± .0003</td> </tr> <tr> <td>2 PLACES</td> <td>± .003</td> <td>± .0002</td> </tr> <tr> <td>1 PLACE</td> <td>± .002</td> <td>± .0001</td> </tr> </tbody> </table>		mm	INCH	4 PLACES	± .005	± .0004	3 PLACES	± .004	± .0003	2 PLACES	± .003	± .0002	1 PLACE	± .002	± .0001	DIMENSION STYLE IN/MM DRAWN BY PGIBL IN DATE 2005/10/18 CHECKED BY DATE APPROVED BY DATE	SCALE 4:1 DESIGN UNITS INCH THIRD ANGLE PROJECTION	TITLE ST TYPE ADAPTER
		mm	INCH																	
	4 PLACES	± .005	± .0004																	
	3 PLACES	± .004	± .0003																	
2 PLACES	± .003	± .0002																		
1 PLACE	± .002	± .0001																		
DRAFT WHERE APPLICABLE MUST REMAIN WITHIN DIMENSIONS	MATERIAL NO. SEE TABLE SIZE B	DOCUMENT NO. SD-10611X-00X0 SHEET NO. 1 OF 1	MOLEX INCORPORATED THIS DRAWING CONTAINS INFORMATION THAT IS PROPRIETARY TO MOLEX INCORPORATED AND SHOULD NOT BE USED WITHOUT WRITTEN PERMISSION																	