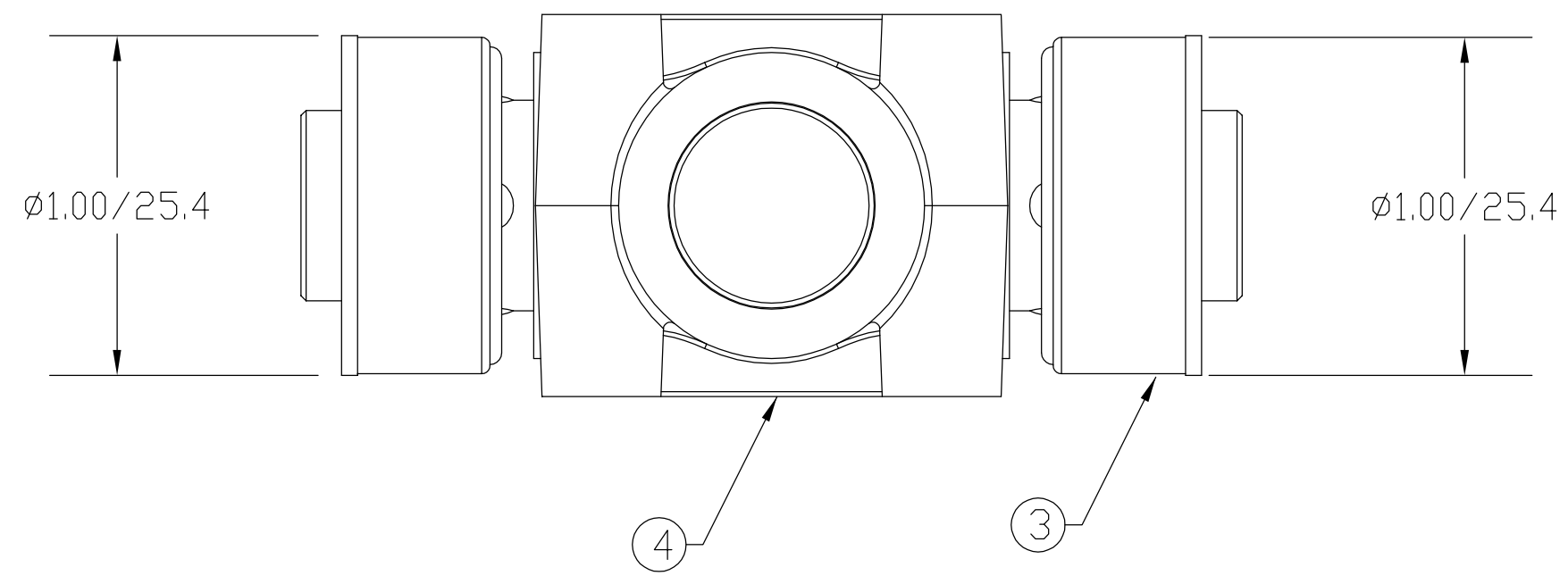
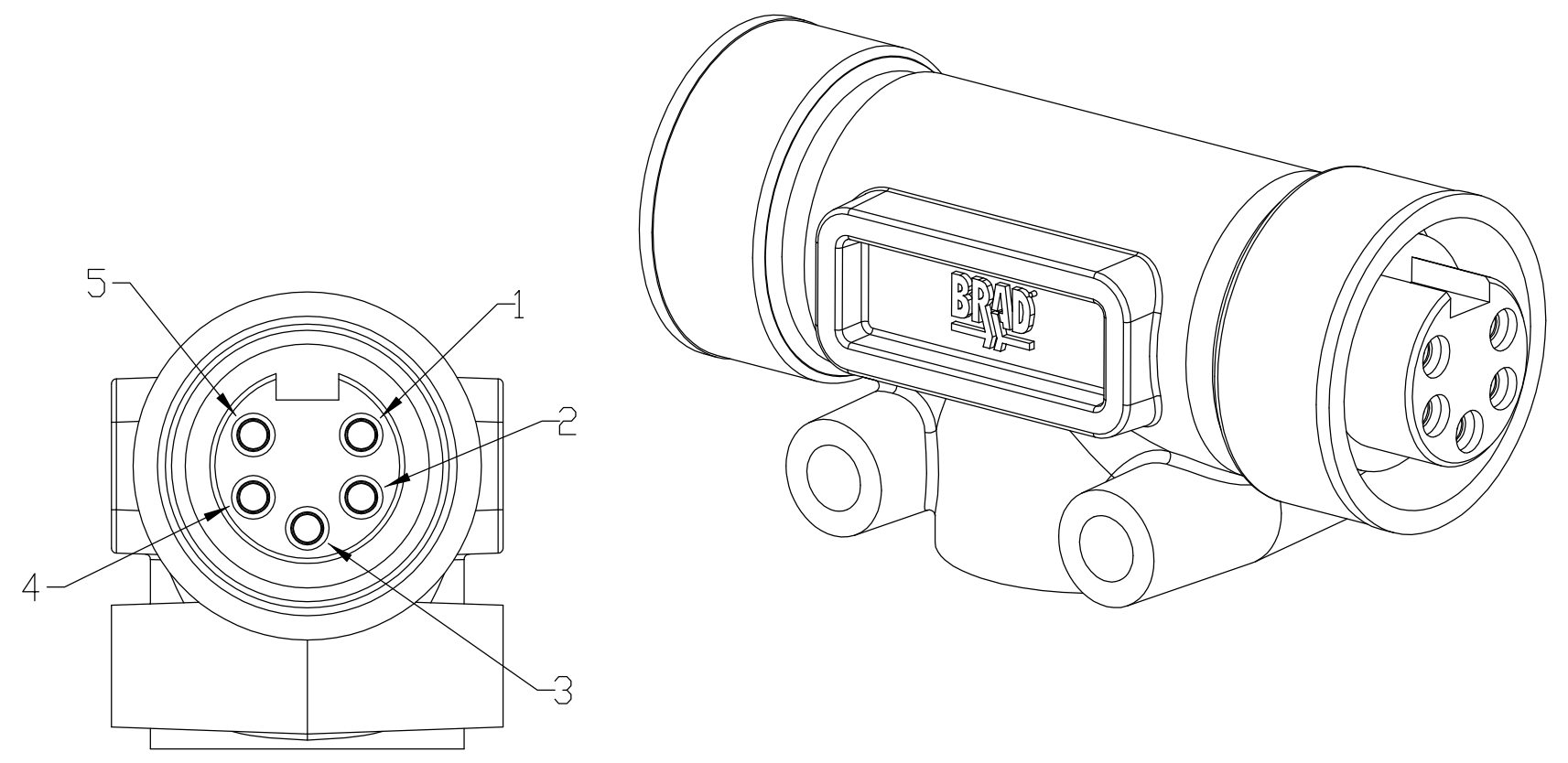
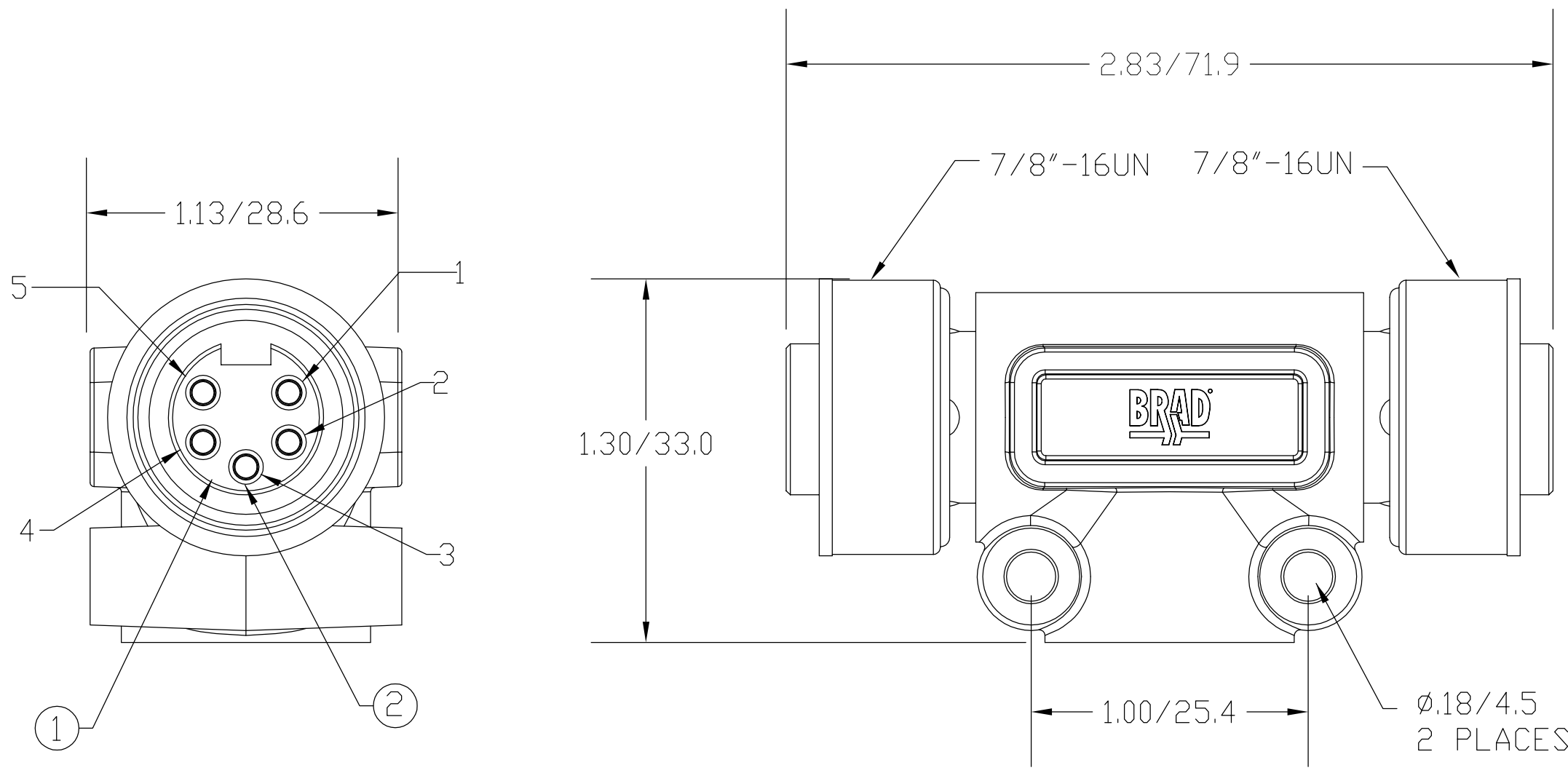


MATERIAL NUMBER	OLD PART NUMBER
130039-0351	115010A



SCHMATIC



VOLTAGE RATING	600 VAC/VDC
AMPERAGE RATING	8 AMPS
PROTECTION	IP67
OPERATING TEMPERATURE	-20°C TO 80°C
UL CERTIFICATIONS	UL RECOGNIZED, FILE NO. E152210
CSA CERTIFICATIONS	CSA CERTIFIED, FILE NO. LR6837

ITEM	COMPONENT	MATERIAL	FINISH
1	INSERT	TPE	GRAY
2	CONTACT SOCKET	COPPER ALLOY	GOLD OVER NICKEL
3	COUPLING NUT	ZINC DIE CAST	BLACK E-COATED
4	OVERMOLD	TPE	GRAY

RLSO DRAWING
 EC NO: WNA2010-0120
 DRWN: BWOODMAN 8/20/09
 CH'KD: KJ
 APPR: JFMURPHY 2009/08/27
 REV A

QUALITY SYMBOL
 ▽=0
 ◻=0
GENERAL TOLERANCES (UNLESS SPECIFIED)

	mm	INCH
4 PLACES	±----	±----
3 PLACES	±----	±----
2 PLACES	±----	±.01
1 PLACE	±0.3	±----

 ANGULAR ±----°
 DRAFT WHERE APPLICABLE MUST REMAIN WITHIN DIMENSIONS

DIMENSION STYLE
 IN/MM
 DRAWN BY: BW DATE: 2009/08/20
 CHECKED BY: JM DATE: 2009/08/20
 APPROVED BY: JFMURPHY DATE: 2009/08/26
 MATERIAL NO.: SEE CHART
 SIZE: C

SCALE: ----
 DESIGN UNITS: ----
 THIRD ANGLE PROJECTION
TITLE
 MC 5P FEMALE GENDER CHANGE
 MOLEX INCORPORATED
 DOCUMENT NO.: SD-130039-009
 SHEET NO.: 1 OF 1
 THIS DRAWING CONTAINS INFORMATION THAT IS PROPRIETARY TO MOLEX INCORPORATED AND SHOULD NOT BE USED WITHOUT WRITTEN PERMISSION