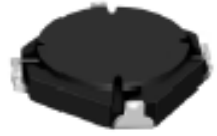


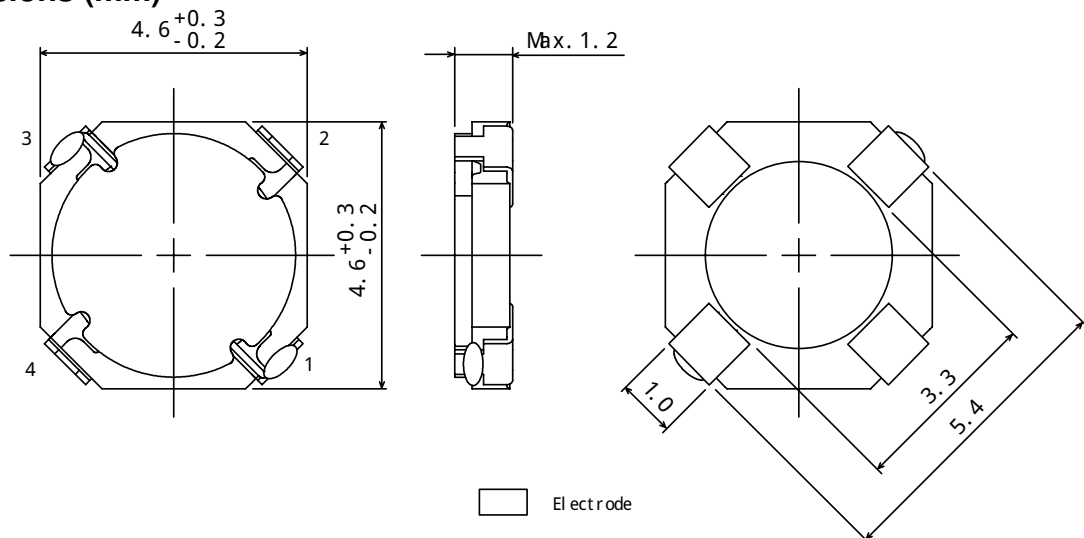
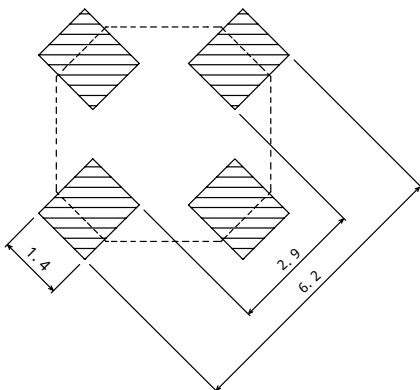
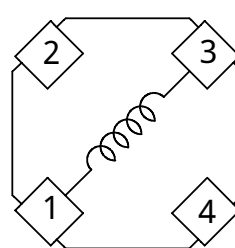
Type: CLS4D11

◆ Product Description

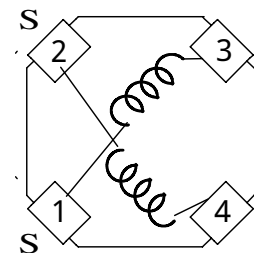
- 4.9× 4.9mm Max.(L× W), 1.2mm Max. Height.
- 4 Terminal pins' type gives a flexible design as inductors or transformers (SEPIC,ZETA circuit).
- Custom design is available.


◆ Feature

- Max. Operating frequency 1MHz, Max.
- Ideally used in portable devices such as Mobilephone,DSC/DVC,MP3,PDA, etc as DC-DC Converter inductors, specially suitable for White LED drive.
- It is possible to output high voltage and get sufficient accuracy which is hard to obtain with an ordinary inductor.
- RoHS Compliance

◆ Dimensions (mm)

◆ Land Pattern (mm)

◆ Schematics (Bottom)


For Inductor



For 2 in 1 Transformer

Type: CLS4D11

◆ Specification (For Inductor)

Part No. ※	Stamp	Inductance [within] (at 100kHz)	D.C.R.(mΩ) Max.(Typ.) (at 20°C)	Rated current (mA)※ 1
CLS4D11- 3R3N□	3R3	3.3μ H± 30%	120(95)	1000
CLS4D11- 4R7N□	4R7	4.7μ H± 30%	180(140)	800
CLS4D11- 6R8N□	6R8	6.8μ H± 30%	220(170)	700
CLS4D11- 100N□	100	10μ H± 30%	310(240)	600
CLS4D11- 150N□	150	15μ H± 30%	480(370)	500
CLS4D11- 220N□	220	22μ H± 30%	710(550)	400
CLS4D11- 330N□	330	33μ H± 30%	1100(870)	300

※ Description of part name

CLS4D11- 3R3N□

- B Box
- C Carrier Tape

※ 1. Rated current: The D.C. current at which the inductance decreases to 65% of it's nominal value or when $\Delta t=40^{\circ}\text{C}$, whichever is lower($T_a=20^{\circ}\text{C}$).

◆ Specification (For 2 in 1 Transformer)

Sample No.	Inductance (at 100kHz)	D.C.R.(mΩ) Max. (at 20°C)	Rated current (mA)※
5365-T007	4.7μ H± 30%	380	500

※ Rated current: The DC current at which the inductance decreases to 90 % of it's initial value or when $\Delta t=40^{\circ}\text{C}$, whichever is lower($T_a=20^{\circ}\text{C}$).