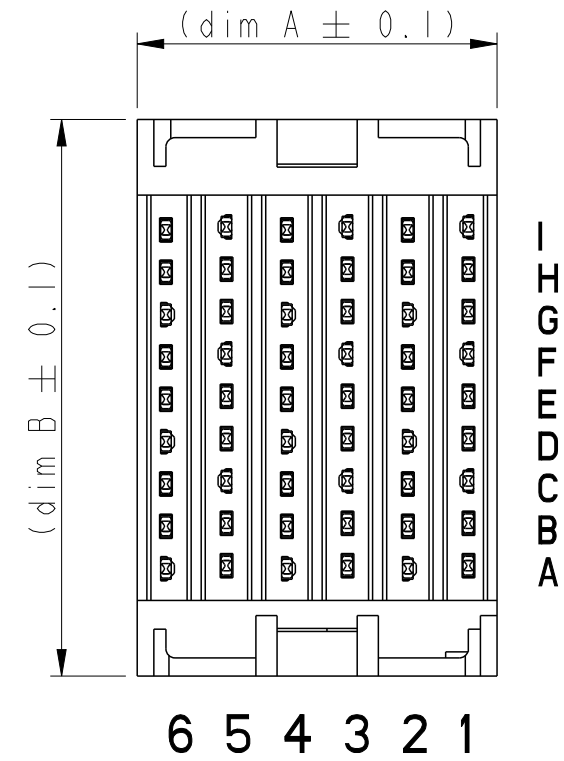
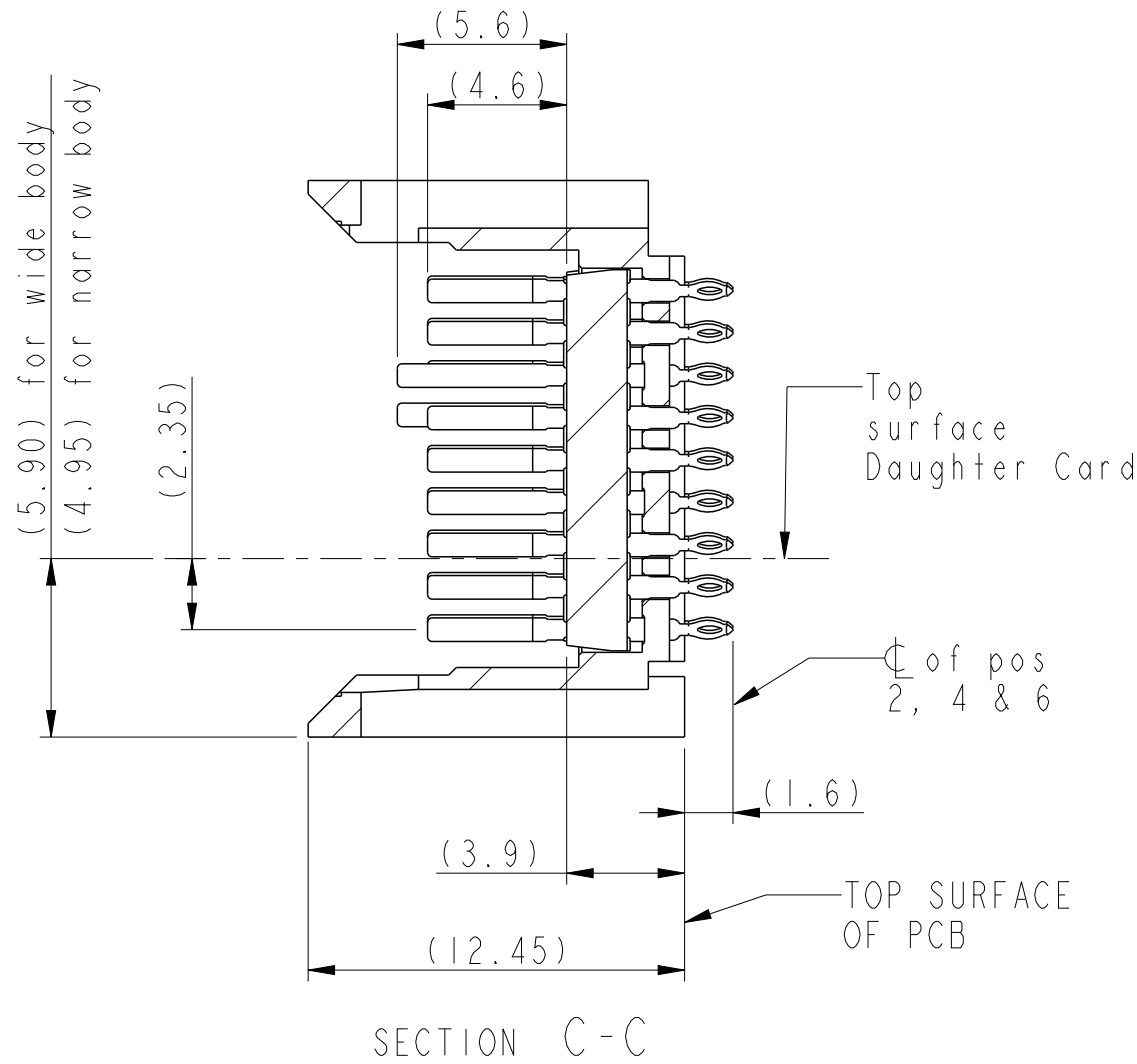
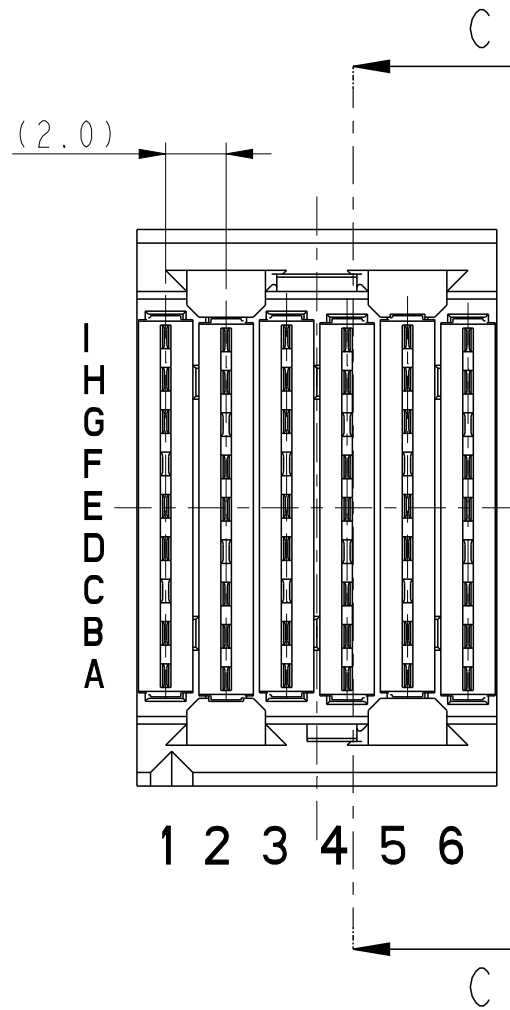


VIEWS WITHOUT PROTECTION COVER



For housing types and dim A and B see sheet 4

Part number:  
10056101-IYZABCILF

X = PLATING

- 1 = TELCORDIA CO (see note 2 sheet 5)
- 5 = TELCORDIA UE

YZ = HOUSING TYPE

- 01 = 2 wall narrow body
- 04 = 4 wall narrow body
- 05 = 2 wall wide body (STANDARD VERSION)
- 08 = 4 wall wide body

ABC = PINLAYOUT

- 001 = standard layout (no detect pin)
- xxx = other versions see sheet 2

LF = Lead Free

- LF = Lead free product (see note 8 sheet 5)
- no suffix = Non lead free: available upon special request

2 WALL WIDE BODY VERSION AS SHOWN



spec ref	RELEASE	dr	P.K.Ramesh	2005-09-23	projection	mm	size	A3	scale	2:1
tolerance std	TOLERANCES UNLESS OTHERWISE SPECIFIED	eng	R.de Blicck	2005-09-23		←→	ecn no	ELX-S-14797	rel level	Released
ISO 406		chr	M. Cheong	2013-05-21						
ISO 1101		appr	C H Tan	2013-05-21						
surface	linear	0.X	±		AirMax VS VERTICAL HEADER	dwg no	10056101	rev	F	
ISO 1302		0.XX	±							
	angular	0°	±°							
		www.fci.com	cat. no.	-	Product - Customer Drw		sheet 1 of 5			

\* Detection pin of 3.9mm possible on standard positions H3.  
For other detection pin and options please consult FCI.

Partnumber \ Pin layout	5.6mm Longpins (typ gnd)	3.9mm * Short pin (typ detect)	4.6mm Otherpins (typ sign)
10056101-XYZ0011(LF)	F1,F3,F5 G2,G4,G6	-	all other positions
10056101-XYZ0031(LF)	F1,F3,F5 G2,G4,G6	H3	all other positions

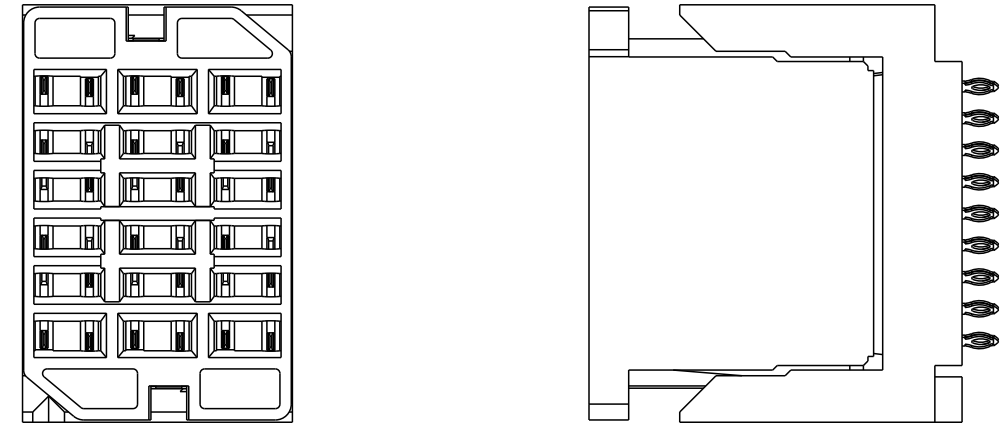
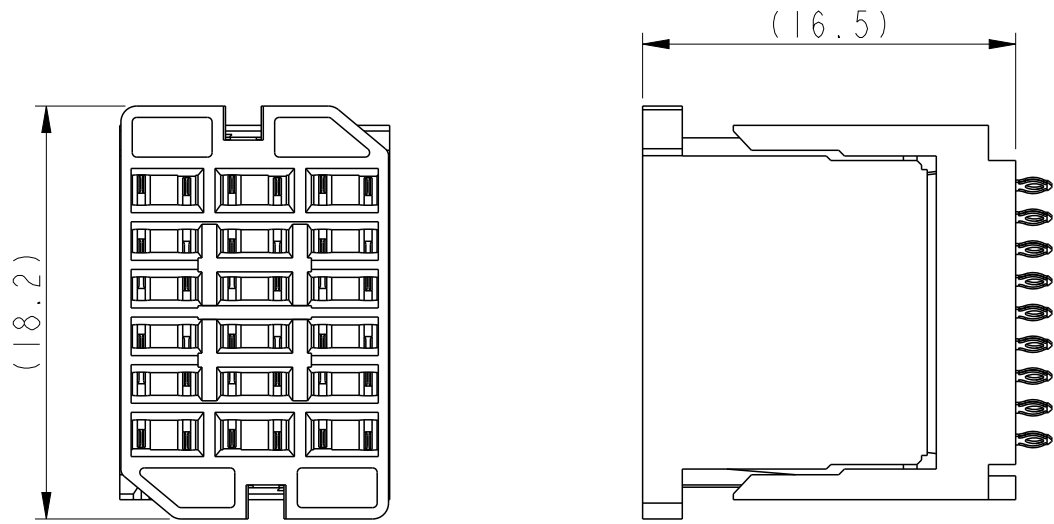


Copyright FCI.

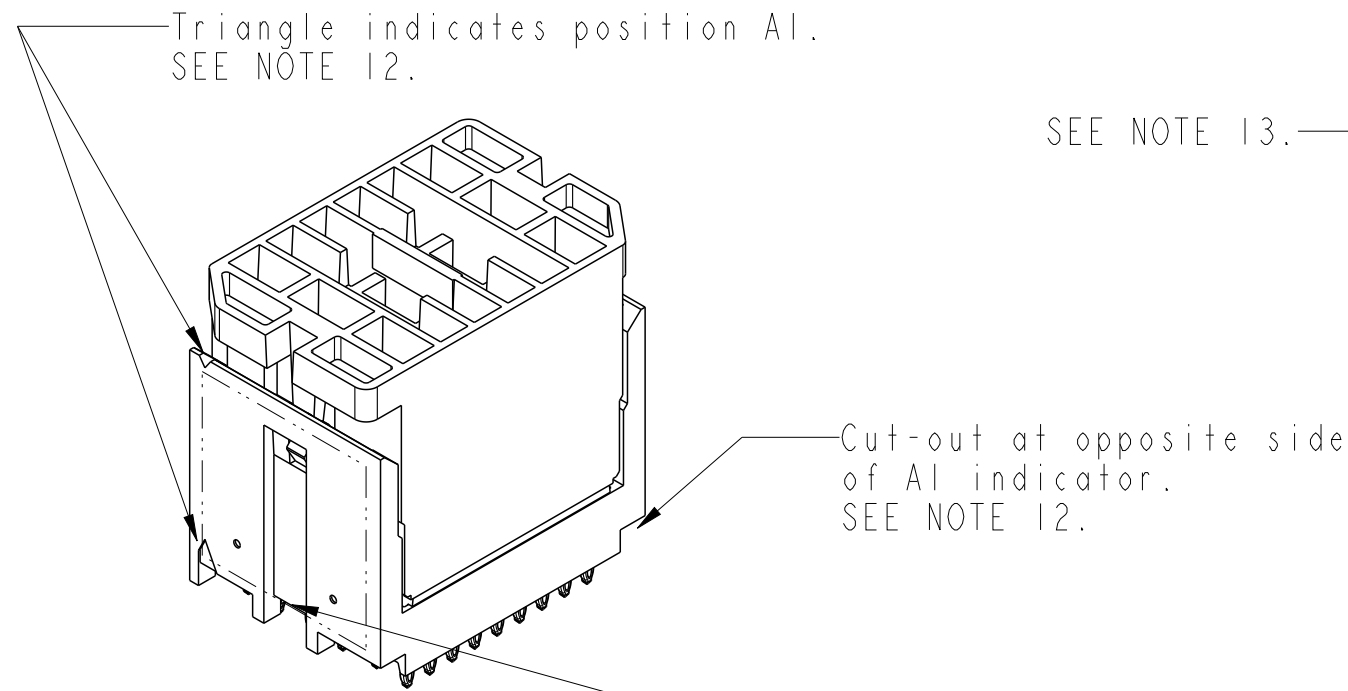
spec ref	RELEASE			dr	P.K.Ramesh	2005-09-23	projection 	mm 	size	A3	scale	2:1		
tolerance std	TOLERANCES UNLESS OTHERWISE SPECIFIED			eng	R.de Blicck	2005-09-23			ecn no	ELX-S-14797				
ISO 406 ISO 1101				chr	M. Cheong	2013-05-21			product family	AirMax VS				
surface	linear	0.X	±	www.fci.com	AirMax VS VERTICAL HEADER	3 pair, 54 pos, 2mm, 6 IMLA	dwg no	10056101	rev	F	rel level		Released	
ISO 1302		0.XX	±								cat. no.	-	Product - Customer Drw	sheet 2 of 5
		0.XXX	±											
	angular	0°	±°											

NARROW BODY

WIDE BODY



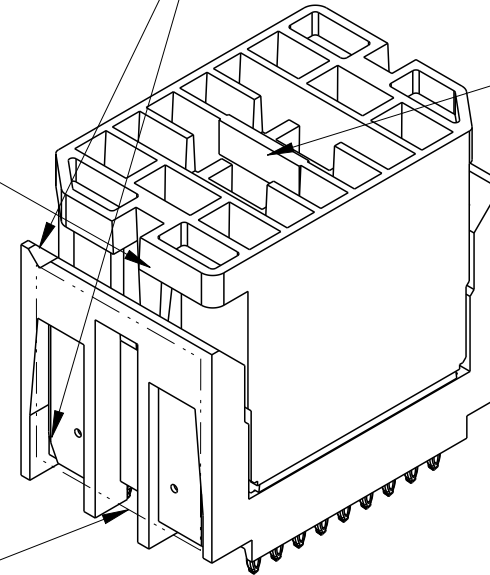
SCALE 3:1



SEE NOTE 13.

Triangle indicates position A1. SEE NOTE 12.

SEE NOTE 14.



SCALE 3:1

NOTE 5 & 12

spec ref	RELEASE				dr	P.K.Ramesh	2005-09-23	projection	mm	size	A3	scale	2:1
tolerance std	TOLERANCES UNLESS OTHERWISE SPECIFIED				eng	R.de Blicck	2005-09-23				ecn no	ELX-S-14797	
ISO 406 ISO 1101					chr	M. Cheong	2013-05-21				product family	AirMax VS	rel level
surface		linear	0.X	±		title AirMax VS VERTICAL HEADER 3 pair, 54 pos, 2mm, 6 IMLA			dwg no 10056101	rev F			
ISO 1302			0.XX	±									
		angular	0°	±°									
					www.fci.com	cat. no.	-	Product - Customer Drw			sheet 3 of 5		



Copyright FCI.

1

2

3

4

NARROW BODY

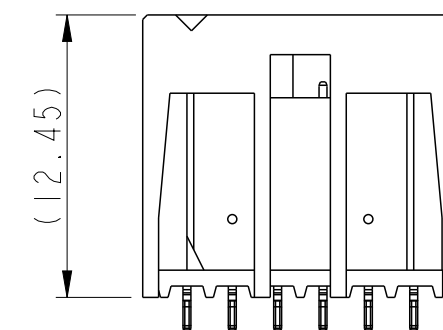
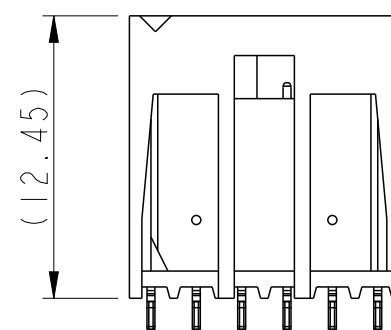
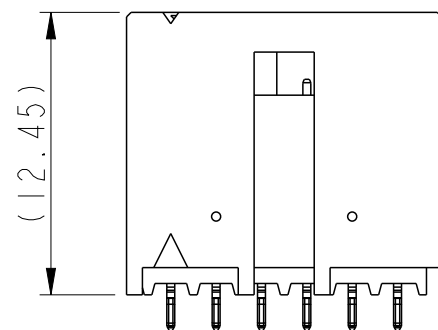
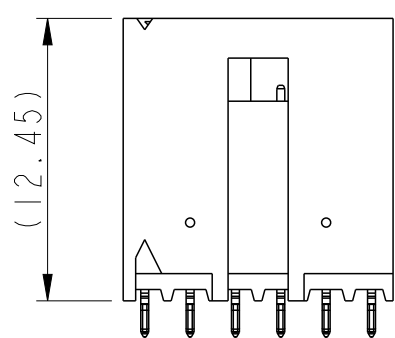
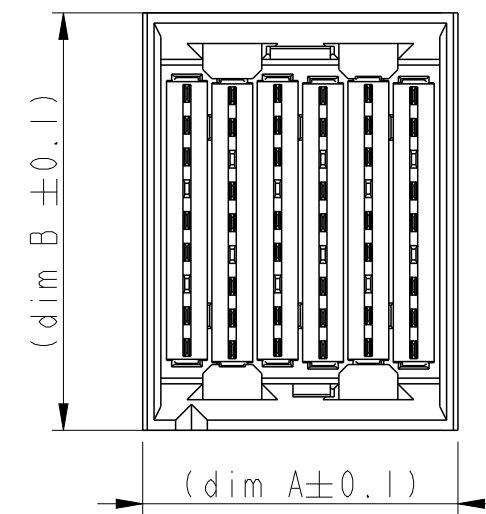
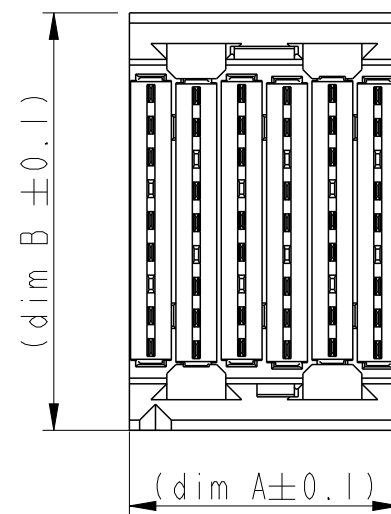
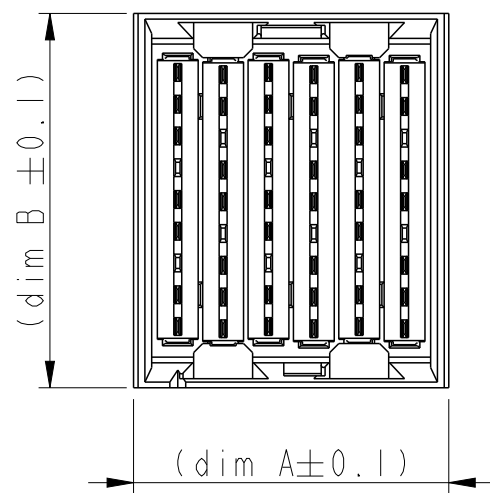
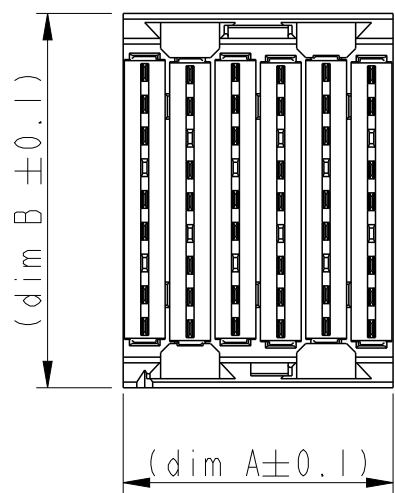
WIDE BODY

10056101 - X01ABC1

10056101 - X04ABC1

10056101 - X05ABC1

10056101 - X08ABC1

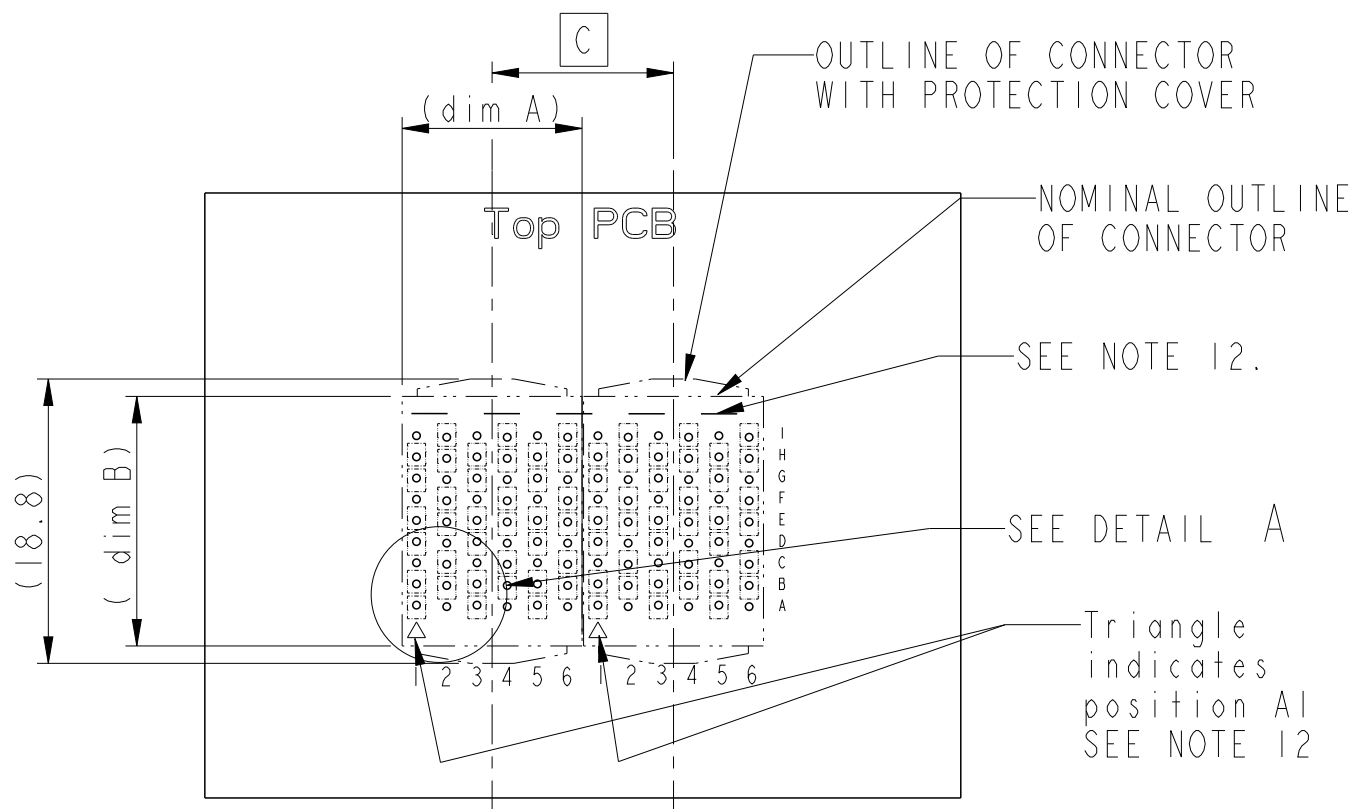


PN / dim	A	B
10056101-X01ABC1(LF)	11.9	16.5
10056101-X04ABC1(LF)	13.9	16.5
10056101-X05ABC1(LF)	11.9	18.4
10056101-X08ABC1(LF)	13.9	18.4

spec ref	RELEASE	dr	P.K.Ramesh	2005-09-23	projection	mm	size	A3	scale	3:1
tolerance std	TOLERANCES UNLESS OTHERWISE SPECIFIED	eng	R.de Blicck	2005-09-23		← →	ecn no	ELX-S-14797		
ISO 406		chr	M. Cheong	2013-05-21			rel level	Released		
ISO 1101		appr	C H Tan	2013-05-21			product family	AirMax VS		
surface	✓	linear	0.X	±		title	AirMax VS VERTICAL HEADER	dwg no	10056101	rev
ISO 1302			0.XX	±						
	angular	0°	±°							

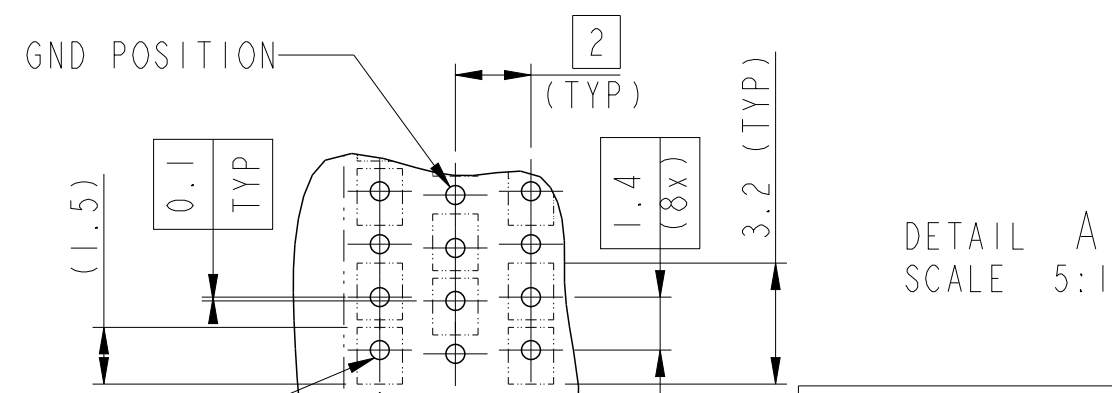


Copyright FCI.



RECOMMENDED PCB LAYOUT FOR DIFFERENTIAL APPLICATIONS COMPONENT SIDE (TWO ADJACENT FOOTPRINTS SHOWN)

PN / dim	A	B	C
10056101-X01ABCI(LF)	11.9	16.5	12
10056101-X04ABCI(LF)	13.9	16.5	14
10056101-X05ABCI(LF)	11.9	18.4	12
10056101-X08ABCI(LF)	13.9	18.4	14



SEE NOTE 7  
 ⊕ ⊘0.1  
 ALL HOLES

ANTIPAD WIDTH  
 2.0 -(TRACE+SPACE+TRACE)

NOTES:

- CONNECTOR MATERIALS:  
 HOUSING : HIGH TEMP THERMOPLASTIC, NATURAL, UL94V-0  
 PROTECTION COVER : HIGH TEMP THERMOPLASTIC, BLACK, UL94V-0  
 IMLA PLASTIC: HIGH TEMP THERMOPLASTIC, BLACK UL94V-0  
 CONTACT: COPPER ALLOY
- CONTACT PLATING:  
 SEPARABLE INTERFACE: PERFORMANCE-BASED PLATING, QUALIFIED TO MEET THE REQUIREMENTS OF FCI PRODUCT SPECIFICATION GS-12-239, INCLUDING TELCORDIA GR-1217-CORE (NOV 1995) TEST SEQUENCE.  
 PRESS-FIT TAILS: TIN-LEAD (NON LEAD FREE) OR TIN OVER NICKEL (LEAD FREE)
- PRODUCT SPECIFICATION: GS-12-239.
- APPLICATION SPECIFICATION: GS-20-035. FLATROCK INSERTION INTO PCB BY PUSHING ON TOP OF SURFACE PROTECTION COVER
- PRODUCT MARKING, (PARTNUMBER & LOTCODE).
- PROTECTION COVER MUST BE REMOVED BEFORE MATING WITH RECEPTACLE CONNECTOR
- SEE CUSTOMER DRAWING 10045979 FOR INFORMATION ON PCB HOLE DIAMETER AND PLATING OPTIONS.
- LEAD FREE PRODUCT MEETS THE EUROPEAN UNION DIRECTIVE & OTHER COUNTRY REGULATIONS AS DESCRIBED IN GS-22-008.
- THE HOUSING SHOULD WITHSTAND EXPOSURE TO 260°C PEAK TEMPERATURE FOR 40 SECONDS IN A CONVECTION, INFRA-RED OR VAPOR PHASE REFLOW OVEN.
- PACKAGE PER GS-14-1086 AND GS-14-920 LEAD FREE LABELING SPEC.
- THERE IS NO GROUND BUSSING WITHIN THE CONNECTOR SYSTEM.
- IT IS RECOMMENDED TO PUT THIS VISIBLE LINE AND THE A1 INDICATION (TRIANGLE) ON THE PCB TO INDICATE PROPER ORIENTATION. OTHER VISIBLE POLARIZATION MARKS ARE A1 INDICATOR AND PRINTING SIDE. (SEE SHEET 3)
- GRIPPING FEATURE TO REMOVE PROTECTION COVER BY FINGERS.
- GRIPPING FEATURE TO REMOVE PROTECTION COVER BY STANDARD PLIERS.
- A SYMBOL WILL BE NEXT TO ANY DIMENSION, VIEW OR NOTE WHICH HAS BEEN MODIFIED WITH THE CURRENT DRAWING REVISION.



Copyright FCI.

spec ref	RELEASE	dr	P.K.Ramesh	2005-09-23	projection	mm	size	A3	scale	3:1
tolerance std	TOLERANCES UNLESS OTHERWISE SPECIFIED	eng	R.de Blicck	2005-09-23		←→	ecn no	ELX-S-14797	rel level	Released
ISO 406		chr	M. Cheong	2013-05-21						
ISO 1101		appr	C H Tan	2013-05-21						
surface	linear	0.X	±		AirMax VS VERTICAL HEADER	dwg no	10056101	rev	F	
ISO 1302	0.XX	±								
	angular	0°	±°							
		www.fci.com	cat. no.	Product - Customer Drw		sheet 5 of 5				