

521998-2 ✓ ACTIVE

Ultra-Pod | Ultra-Pod 250

TE Internal #: 521998-2

Quick Disconnects, Receptacle, 18 – 14 AWG Wire Size, .82 – 2.08 mm² Wire Size, Mating Tab Width 6.35 mm [.25 in], Straight, Brass, Ultra-Pod 250

[View on TE.com >](#)



Terminals & Splices > Quick Disconnects > ULTRA POD: Straight, Receptacle Assembly, Tin Plated, 0.25 inch



Quick Disconnect Terminal Type: **Receptacle**

Wire Size: **.82 – 2.08 mm²**

Mating Tab Width: **6.35 mm [.25 in]**

Mating Tab Thickness: **.81 mm [.032 in]**

All ULTRA POD: Straight, Receptacle Assembly, Tin Plated, 0.25 inch (13)

Features

Product Type Features

Insertion Force	Low
-----------------	-----

Configuration Features

Connection Capacity	Single
Compatible With Wire & Cable Type	Discrete Wire

Electrical Characteristics

Voltage Rating	600 V
----------------	-------

Body Features

Insulation Material	Nylon
---------------------	-------

Contact Features

Quick Disconnect Terminal Type	Receptacle
Mating Tab Width	6.35 mm [.25 in]
Mating Tab Thickness	.81 mm [.032 in]
Terminal Orientation	Straight



Contact Base Material	Brass
Terminal Plating Material	Tin
Crimp Type	F-Crimp
Barrel Type	Open

Termination Features

Product Terminates To	Wire & Cable
-----------------------	--------------

Mechanical Attachment

Wire Insulation Support	With
-------------------------	------

Dimensions

Terminal Material Thickness	.41 mm[.016 in]
Product Length	34.86 mm[1.37 in]
Compatible Insulation Diameter Range	2.79 – 4.57 mm[.11 – .18 in]
Wire Size	.82 – 2.08 mm ²

Usage Conditions

Insulation Option	Fully Insulated
Operating Temperature Range	-40 – 150 °C[-40 – 302 °F]

Industry Standards

Agency/Standard	CSA, UL
UL Flammability Rating	UL 94V-2

Packaging Features

Packaging Quantity	2000
Packaging Method	Strip/Reel

Other

Barrel Color	White
Terminals & Splices Comment	Glow Wire Version

Product Compliance

[For compliance documentation, visit the product page on TE.com>](#)

EU RoHS Directive 2011/65/EU	Compliant
EU ELV Directive 2000/53/EC	Compliant
China RoHS 2 Directive MIIT Order No 32, 2016	No Restricted Materials Above Threshold
EU REACH Regulation (EC) No. 1907/2006	



Current ECHA Candidate List: JUNE 2023 (235)
 Candidate List Declared Against: JUNE 2023 (235)
 Does not contain REACH SVHC

Halogen Content	Not Low Halogen - contains Br or Cl > 900 ppm.
Solder Process Capability	Not applicable for solder process capability



Product Compliance Disclaimer

This information is provided based on reasonable inquiry of our suppliers and represents our current actual knowledge based on the information they provided. This information is subject to change. The part numbers that TE has identified as EU RoHS compliant have a maximum concentration of 0.1% by weight in homogenous materials for lead, hexavalent chromium, mercury, PBB, PBDE, DBP, BBP, DEHP, DIBP, and 0.01% for cadmium, or qualify for an exemption to these limits as defined in the Annexes of Directive 2011/65/EU (RoHS2). Finished electrical and electronic equipment products will be CE marked as required by Directive 2011/65/EU. Components may not be CE marked. Additionally, the part numbers that TE has identified as EU ELV compliant have a maximum concentration of 0.1% by weight in homogenous materials for lead, hexavalent chromium, and mercury, and 0.01% for cadmium, or qualify for an exemption to these limits as defined in the Annexes of Directive 2000/53/EC (ELV). Regarding the REACH Regulation, the information TE provides on SVHC in articles for this part number is based on the latest European Chemicals Agency (ECHA) 'Guidance on requirements for substances in articles' posted at this URL: <https://echa.europa.eu/guidance-documents/guidance-on-reach>

Compatible Parts

 <p>TE Part # 1385719-1 UP.250 STRAIGHT SA110F220F LM</p>	 <p>TE Part # 1385719-3 UP.250 STRAIGHT SAPR110F220FG</p>	 <p>TE Part # 1385719-4 UP.250 STRT SAPR110F220F KOMAX</p>
--	--	---

Also in the Series | Ultra-Pod 250

 <p>Insertion & Extraction Tools(2)</p>	 <p>Quick Disconnects(43)</p>
--	--

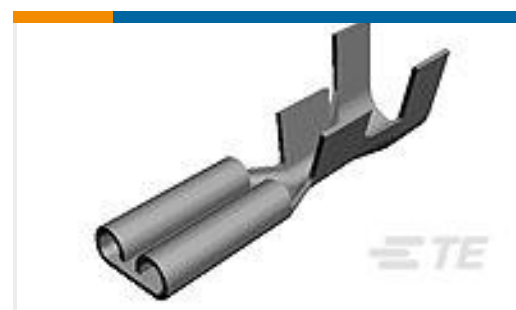
Customers Also Bought



TE Part #1-1971772-3
PTL 1X3 CAP PANEL MT STD TEMP
KEY A NAT



TE Part #1969442-9
EP 2.5 TPA Housing, 9 Pos



TE Part #41771-1
250 FASTON REC 22-18 AWG BR



TE Part #1-2232263-1
PTL 1X2 CAP PANEL MT HOT WIRE
KEY A BLK



TE Part #2337218-6
Power Versa-Lock TPA, 2X3



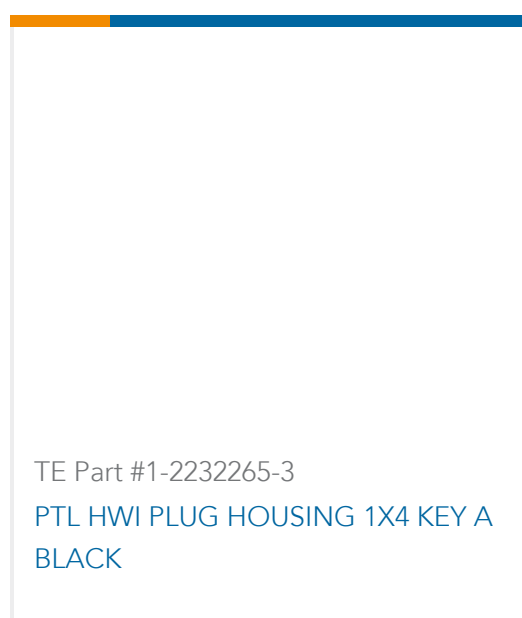
TE Part #2-176498-6
187 HSG. PL MKII REC. 15mm 2P BLUE



TE Part #2238155-1
POS LOCK 250 Rec, MKII, 18-14 TPBR



TE Part #2329906-1
Power Versa-Lock TAB, 18-20, 2X22
AWG



TE Part #1-2232265-3
PTL HWI PLUG HOUSING 1X4 KEY A
BLACK

Documents

Product Drawings

[ULTRA-POD 250 ASSY REC 18-14 AWG TPBR](#)

English

CAD Files

Customer View Model

[ENG_CVM_CVM_521998-2_B.2d_dxf.zip](#)

English

3D PDF

3D

Customer View Model

[ENG_CVM_CVM_521998-2_B.3d_igs.zip](#)

English

Customer View Model

[ENG_CVM_CVM_521998-2_B.3d_stp.zip](#)

English

By downloading the CAD file I accept and agree to the [Terms and Conditions](#) of use.

Datasheets & Catalog Pages



Ultra-Fast and Ultra Fast Plus

English

Product Specifications

Application Specification

English

Product Environmental Compliance

[MD_521998-2_062920151315_dmtec](#)

English

[MD_521998-2_062920151315_dmtec](#)

English