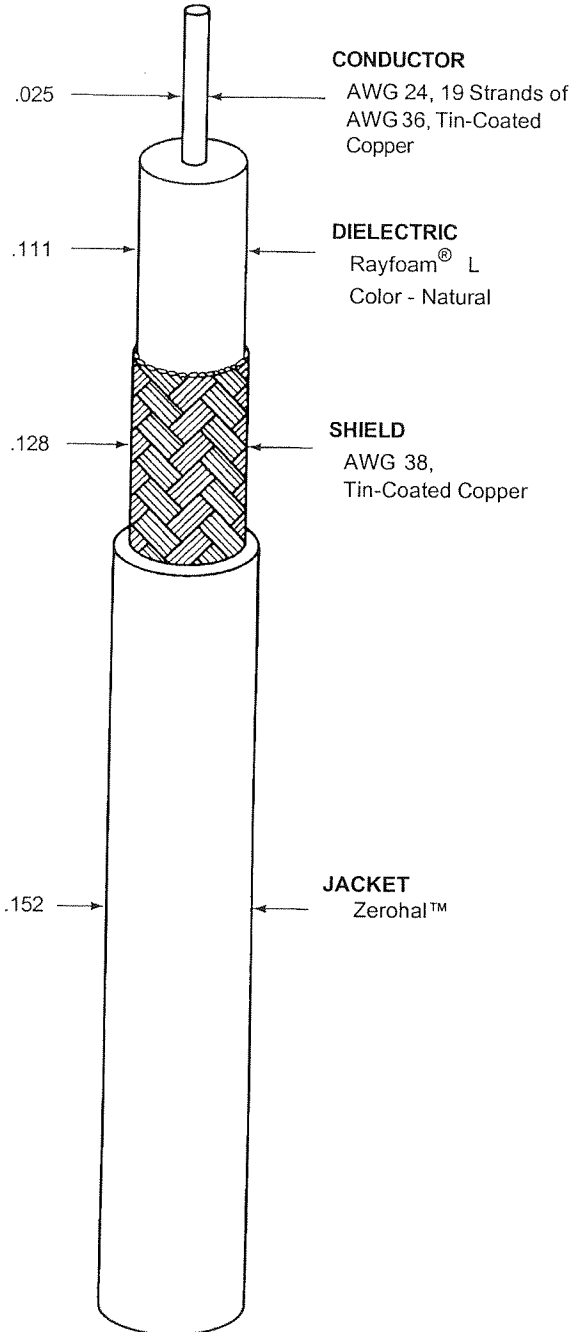


THIS SPECIFICATION SHEET FORMS A PART OF THE LATEST ISSUE OF RAYCHEM SPECIFICATION 1200.

CONSTRUCTION DETAILS

ELECTRICAL CHARACTERISTICS

DIMENSIONS ARE NOMINAL VALUES IN INCHES UNLESS OTHERWISE DESIGNATED.



| | |
|--------------------------|--------------------------------|
| CHARACTERISTIC IMPEDANCE | 75 ± 3 ohms, Method B |
| CAPACITANCE | 17.2 pF/ft. (nominal) at 1 kHz |
| VELOCITY OF PROPAGATION | 79% (nominal) |

ADDITIONAL REQUIREMENTS

ELECTRICAL

| | |
|-----------------------------------|--|
| CONDUCTOR RESISTANCE | 24.8 ohms/1000 ft. (nominal) |
| INSULATION RESISTANCE | 10,000 megohms (minimum) for 1000 ft. |
| JACKET FLAWS | |
| SPARK TEST | 1.0 kV (rms) |
| IMPULSE TEST | 6.0 kV (peak) |
| VOLTAGE WITHSTAND (DIELECTRIC) | 1000 volts (rms), (minimum) |

ENVIRONMENTAL

| | |
|---|----------------------------|
| FLAMMABILITY | Method B |
| HEAT SHOCK | 225°C |
| LOW TEMPERATURE- COLD BEND | -30°C/4.25 inch mandrel |
| VOLTAGE WITHSTAND (POST ENVIRONMENTAL) | 1000 volts (rms), 1 minute |

PHYSICAL

| | |
|-------------------------|------------------------|
| INSULATION (DIELECTRIC) | |
| ELONGATION | 50% (minimum) |
| TENSILE STRENGTH | 800 lbf/in² (minimum) |
| JACKET | |
| ELONGATION | 150% (minimum) |
| TENSILE STRENGTH | 1200 lbf/in² (minimum) |
| JACKET THICKNESS | .012 inch (nominal) |
| SHIELD COVERAGE | 90% (minimum) |

| | |
|--------|-----------------------------|
| WEIGHT | 13.3 lbs/1000 ft. (nominal) |
|--------|-----------------------------|

Outer jacket color will be black (designated by a "0" appended to the part number, e.g., 7524A1811-0) unless otherwise specified.

Designate outer jacket color with a dash number in accordance with MIL-STD-681.