

1

2

3

4

5

6

7

A

B

C

D

E

F

G

H

A

B

C

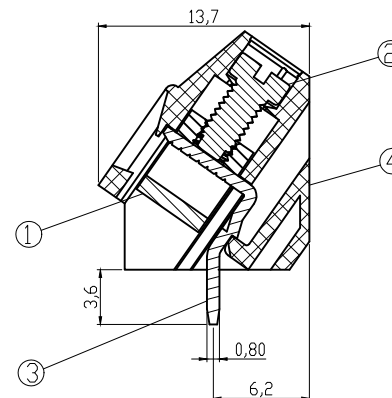
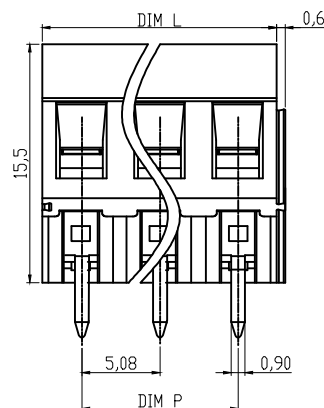
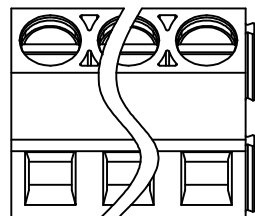
D

E

F

G

H



Material

- ① Clamp: Brass, Ni plated
- ② Terminal screw: Steel Zinc plating "-" slot type
- ③ Wire guard solder pin: Brass, Tin plated
- ④ Terminal housing: Thermoplastic (UL94V-0), GREEN

Electrical UL

Voltage rating: 300VAC  
 Current rating: 10A  
 Wire range:  
 Solid wire(AWG): 12-24  
 Stranded wire(AWG): 12-24  
 Torque(Lb-In): 3.5  
 Screw: M2.5  
 Wire strip length: 6-7mm  
 Withstanding Voltage: 1.6KV  
 Operating temperature: -40°C to +115°C  
 Soldering temperature: 250°C±10°C/5 Sec  
 Safety Approval:

A-TB508-T2xxSBxxx

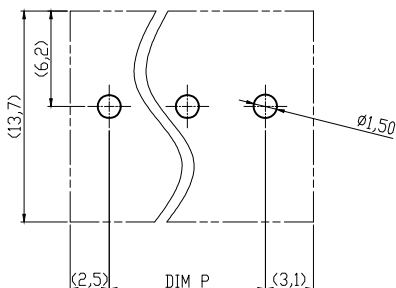
- Blank: Green color
- ② -BK: Black color

DIMENSION

L	Nx5.08
P	(N-1)x5.08

N=Number of poles

Poles	Tolerance
	DIM L&DIM P
4p-8p	±0.15
9p-14p	±0.25
15p-20p	±0.35
21p-24p	±0.40



RECOMMENDER PCB LAYOUT

RoHS compliant



Scale	Free					Date	Name	Customer-No.
TOLERANCE						Drawn	19.04.2010	Alex
X.	±0.50					Approved	24.03.2022	Segal
X.X	±0.30							ASSMANN WSW-No.
X.XX	±0.10	②	Extend the black color	24.03.2022	Segal			A-TB508-T2xxSBxxx
DIM	TOL	①	Add UL File No.	07.04.2016	Winnie			Drawing-No.
X.°	±1°	①	Drawn	19.04.2010	Alex			ASS 4102 CO
		①						rev02
Angle	TOL	Id.	Modification	Date	Name			Replace
								Sheet
								1/1

1

2

3

4

5

6

7