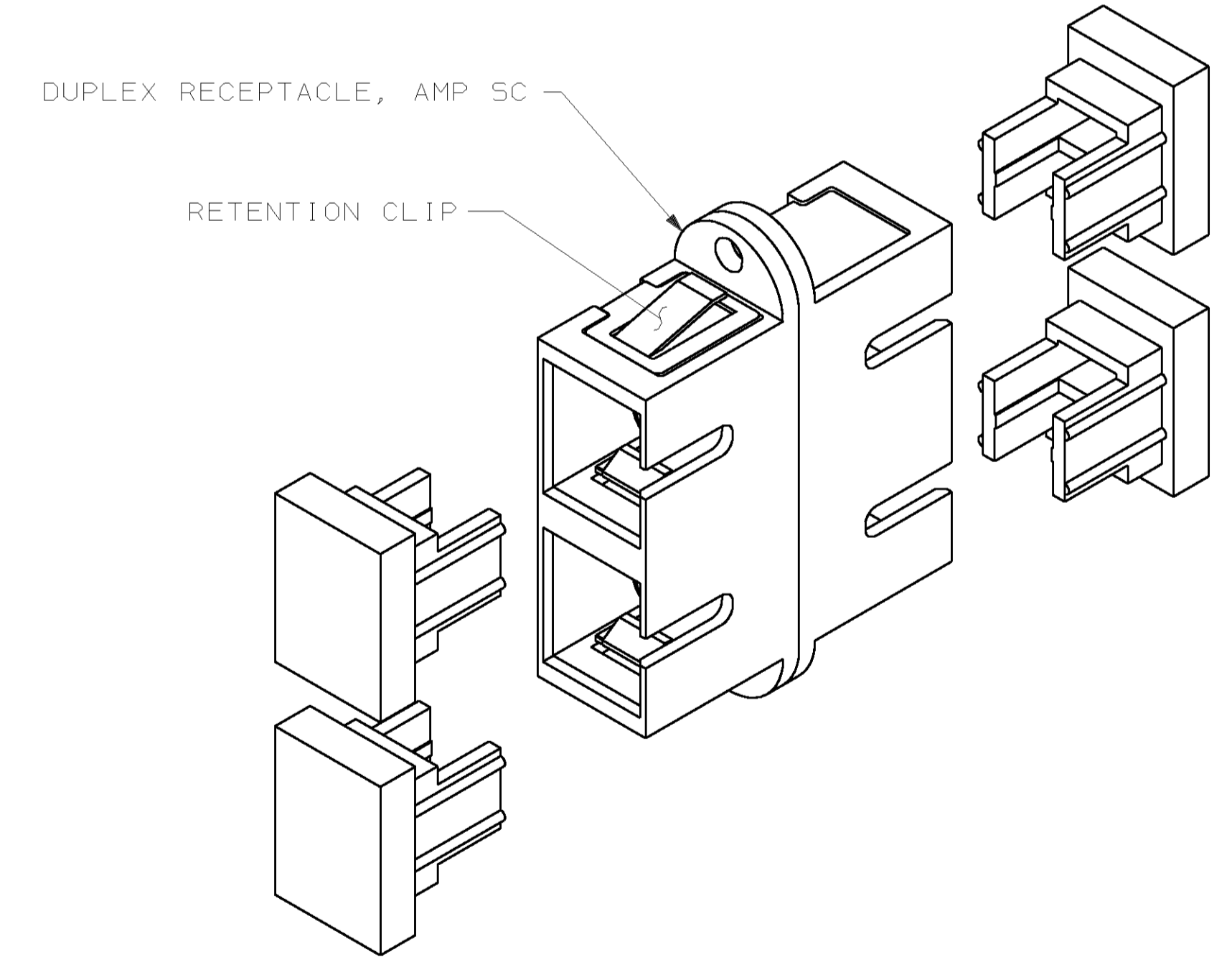
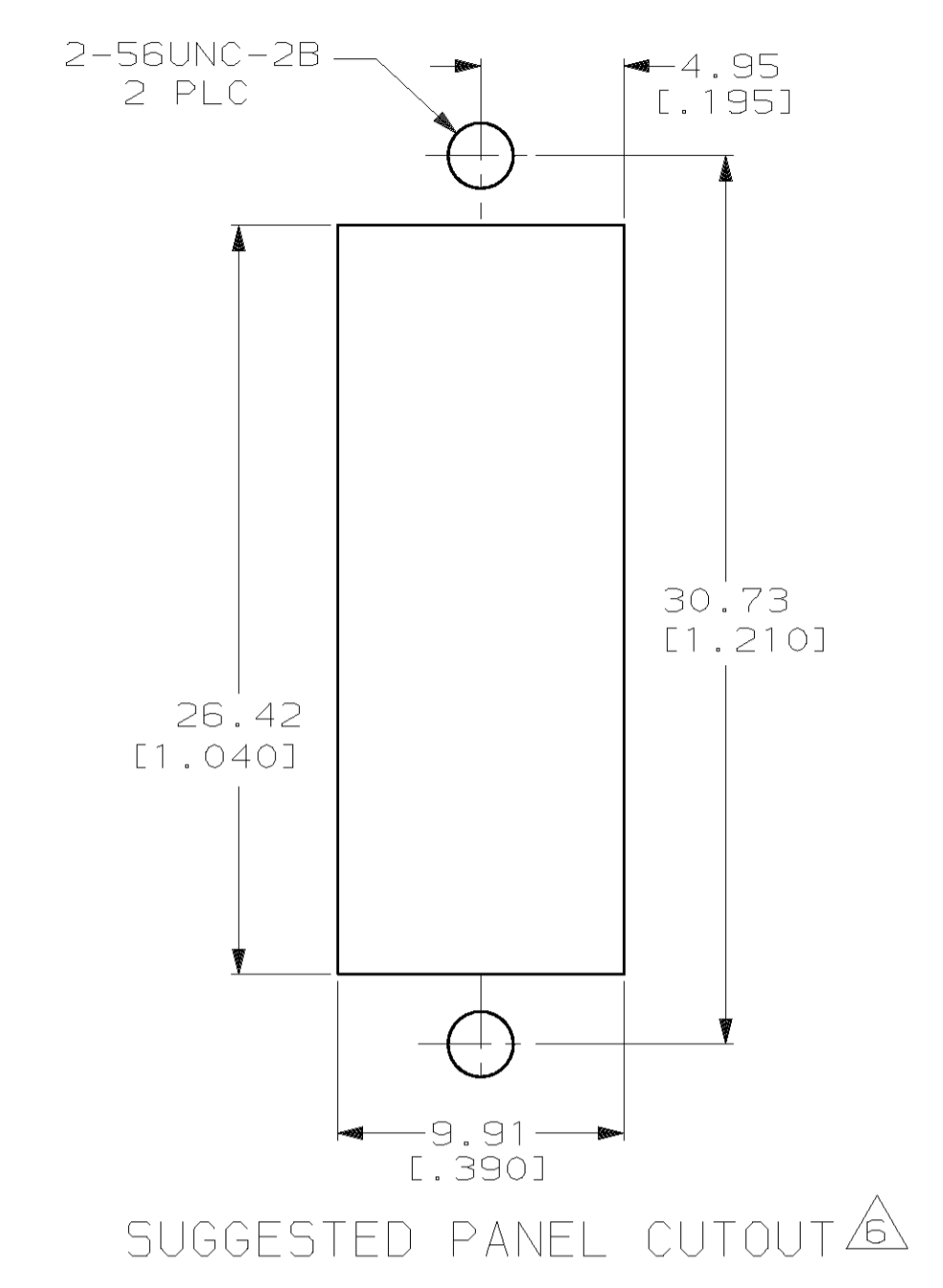
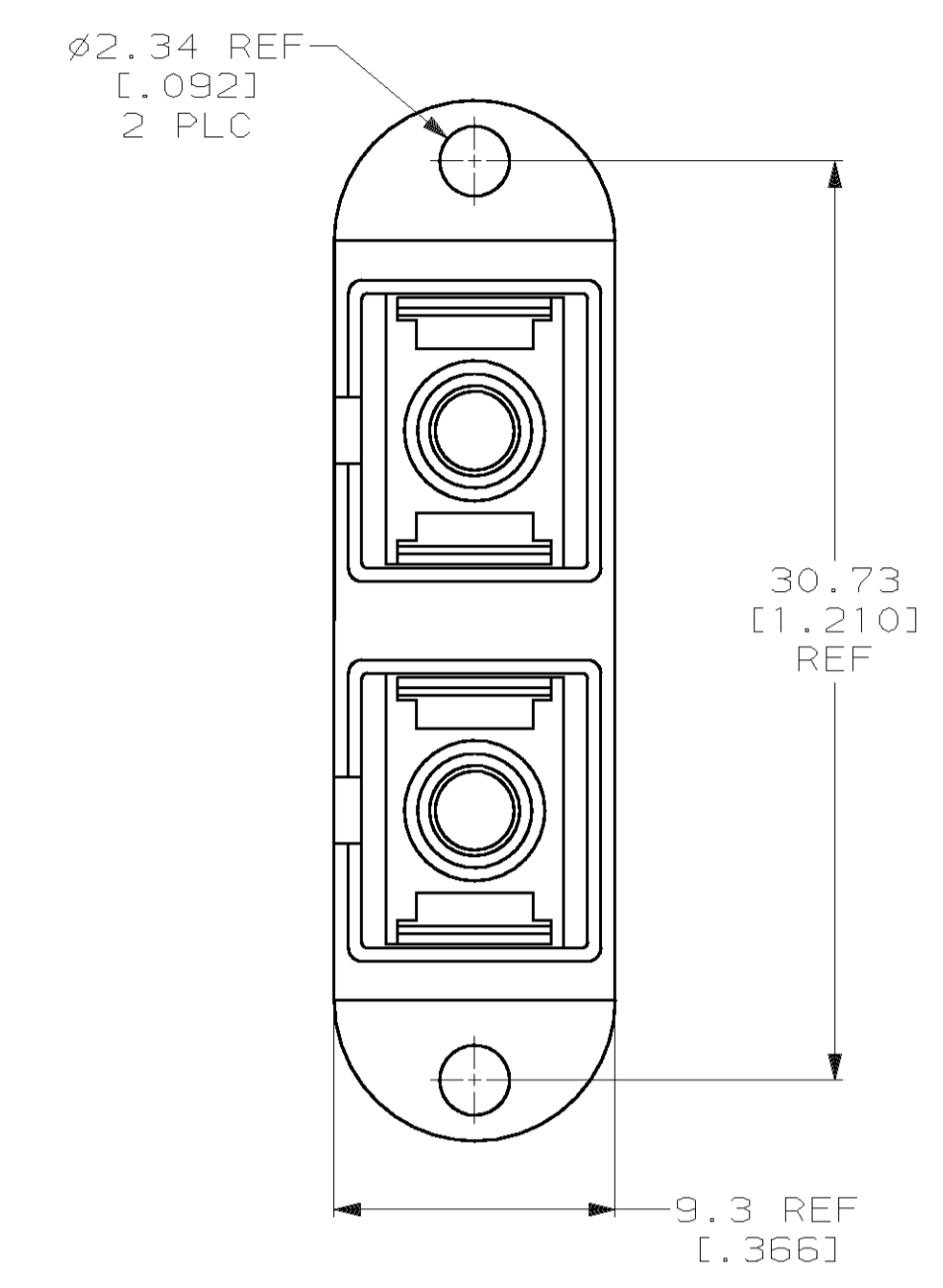
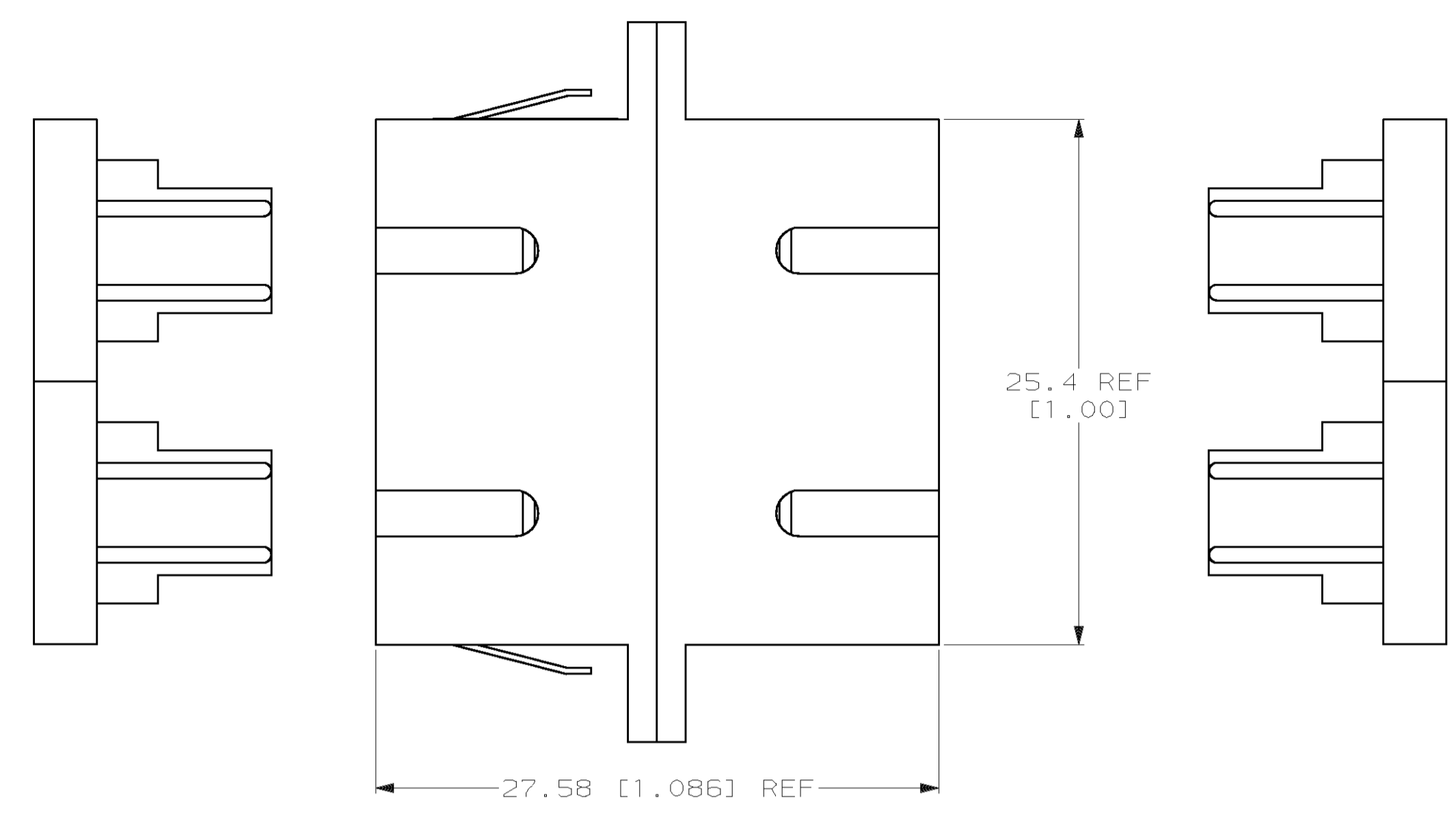


LOC	DIST	REV	DATE	BY	APPV
CE	16	N	22JUN2001	TA	SB



- ⚠ MATERIAL:
 BODY: THERMOPLASTIC
 RETENTION CLIP: STAINLESS STEEL
 SLEEVE: PHOSPHOR BRONZE
 SLEEVE: ZIRCONIA
 DUST COVER: THERMOPLASTIC ELASTOMER
2. DIMENSIONS IN [] ARE IN INCHES.
- ⚠ BULK PACKAGE, 50 PIECES.
- ⚠ BULK PACKAGE, 250 PIECES.
- ⚠ NO LOGO.
- ⚠ RECOMMENDED PANEL THICKNESS 1.60±.10 [.063±.004].

⚠	RETENTION CLIP	BLACK	CERAMIC	2-502776-5
⚠	RETENTION CLIP	GREEN	CERAMIC	2-502776-3
	NONE	GREEN	CERAMIC	2-502776-2
	NONE	LT ALMOND	CERAMIC	2-502776-1
	NONE	LT ALMOND	METAL	2-502776-0
⚠	RETENTION CLIP	BEIGE	METAL	1-502776-9
⚠	RETENTION CLIP	BEIGE	CERAMIC	1-502776-8
⚠	RETENTION CLIP	BLUE	CERAMIC	1-502776-7
⚠	RETENTION CLIP	BLACK	CERAMIC	1-502776-6
⚠	RETENTION CLIP	BEIGE	METAL	1-502776-5
⚠	RETENTION CLIP	BLUE	METAL	1-502776-4
⚠	RETENTION CLIP	BLACK	METAL	1-502776-3
	RETENTION CLIP	BEIGE	CERAMIC	1-502776-2
	RETENTION CLIP	BLUE	CERAMIC	1-502776-1
	RETENTION CLIP	BLACK	CERAMIC	1-502776-0
	RETENTION CLIP	BEIGE	METAL	502776-9
	RETENTION CLIP	BLUE	METAL	502776-8
	RETENTION CLIP	BLACK	METAL	502776-7
	RETENTION CLIP	BEIGE	CERAMIC	502776-6
	RETENTION CLIP	BLUE	CERAMIC	502776-5
	RETENTION CLIP	BLACK	CERAMIC	502776-4
	RETENTION CLIP	BEIGE	METAL	502776-3
	RETENTION CLIP	BLUE	METAL	502776-2
	RETENTION CLIP	BLACK	METAL	502776-1

SUPERSEDED BY 1-502776-2
 SUPERSEDED BY 1-502776-1
 SUPERSEDED BY 1-502776-0
 SUPERSEDED BY 502776-9
 SUPERSEDED BY 502776-8
 SUPERSEDED BY 502776-7

INCLUDED HARDWARE	COLOR	ALIGNMENT SLEEVE	PART NUMBER
THIS DRAWING IS A CONTROLLED DOCUMENT.			
DIMENSIONS: mm		TOLERANCES UNLESS OTHERWISE SPECIFIED:	
0 PLC ±.01		1 PLC ±.02	
2 PLC ±.03		3 PLC ±.04	
4 PLC ±.05		ANGLES ±.5°	
MATERIAL		FINISH	
DWN: I. ALEXANDER 22MAY2001 CHK: - NAME: AMP Incorporated Harrisburg, PA 17105-3608 PRODUCT SPEC: - APPLICATION SPEC: - SIZE: A1 CAGE CODE: 00779 DRAWING NO: 502776 WEIGHT: - CUSTOMER DRAWING SCALE: 4:1 SHEET 1 OF 1 REV N			