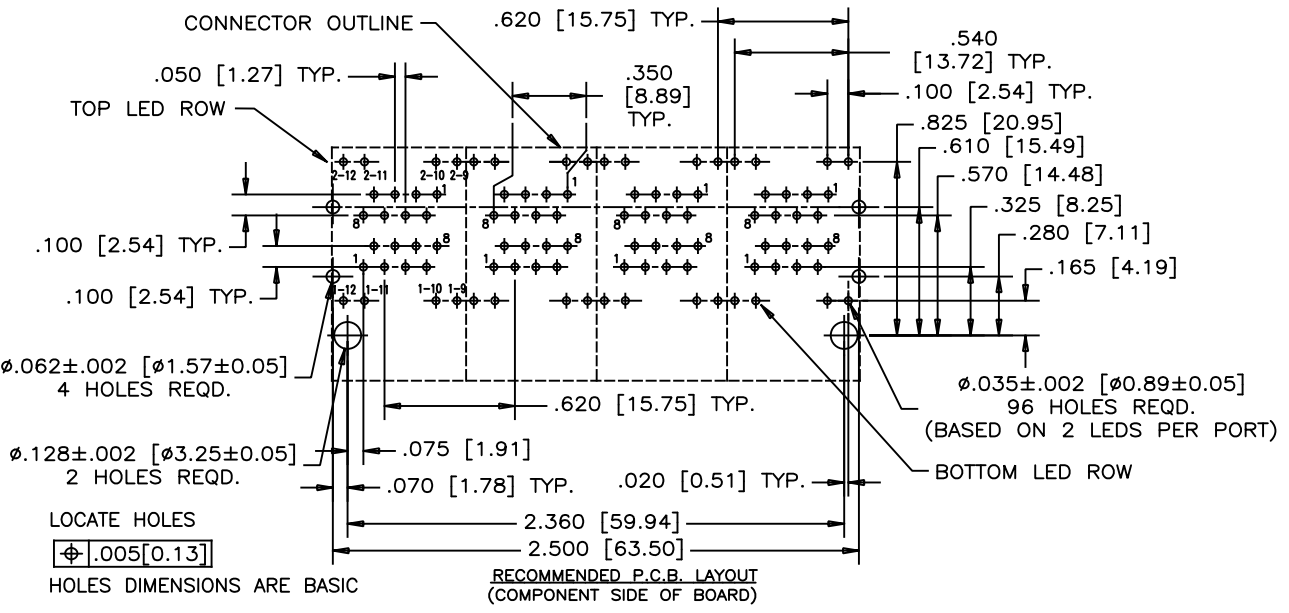
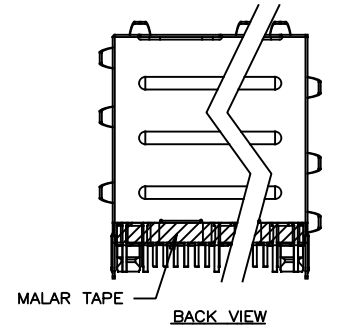
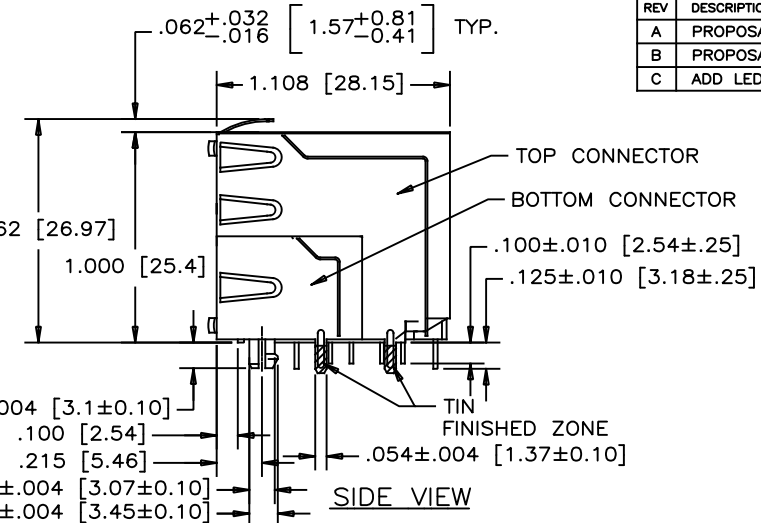
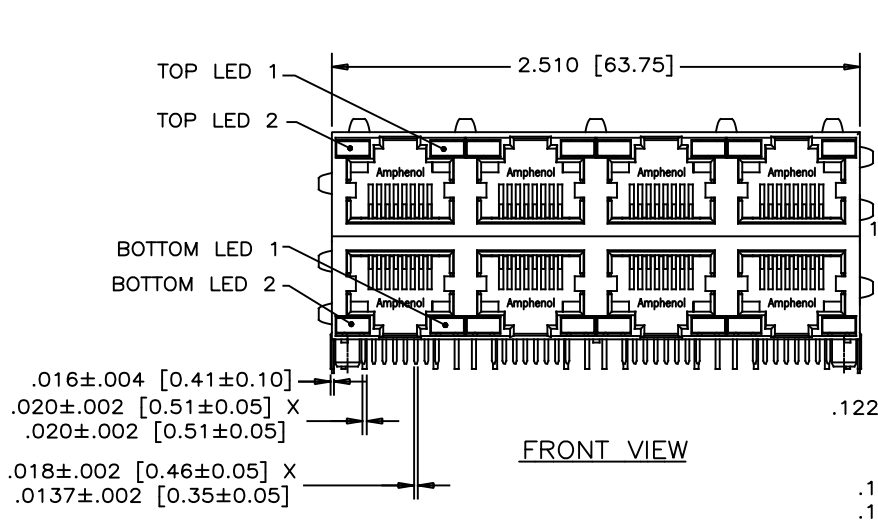


REVISIONS			
REV	DESCRIPTION, ECN, EAR NO.	DATE	APP'D
A	PROPOSAL DRAWING	JUN02/18	L.CHAN
B	PROPOSAL DRAWING	JAN21/20	L.CHAN
C	ADD LED INFORMATION	AUG28/20	L.CHAN

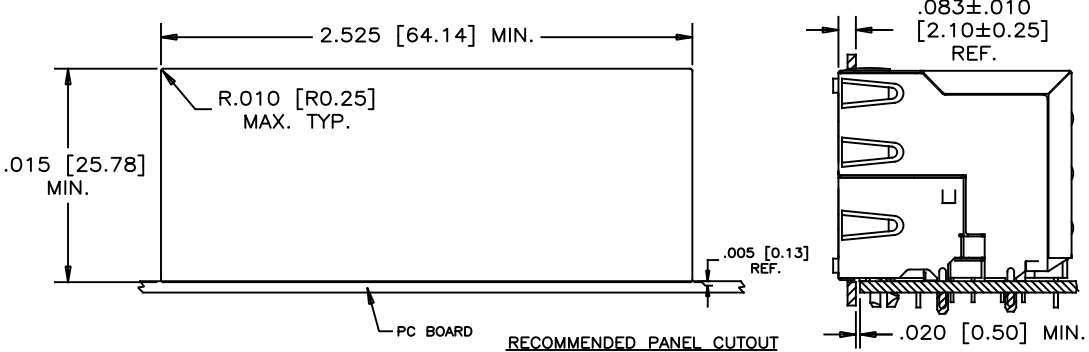


MATERIALS:
HOUSING: ENGINEERING THERMOPLASTIC. FLAMMABILITY RATING UL 94V-0

CONTACTS: PHOSPHOR BRONZE
PLATING: SELECTIVE GOLD PLATING ON MATING SURFACES. SEE PART NO. FOR THICKNESS. 50μ" [1.27 MICRONS] MIN. NICKEL UNDERPLATE. 100μ" [2.54 MICRONS] MIN. MATTE TIN OR GOLD FLASH ON CONTACT TAILS.

SHIELD: COPPER ALLOY
PLATING: NICKEL WITH TIN FINISHED PCB TAIL.

RECOMMENDED SOLDERING TEMPERATURE:
WAVE SOLDERING AT 260°C MAXIMUM FOR 5~8 SECONDS.

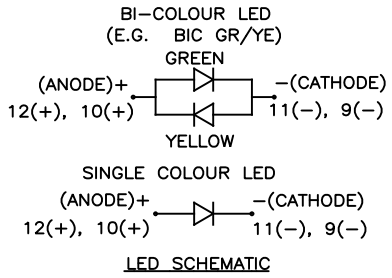
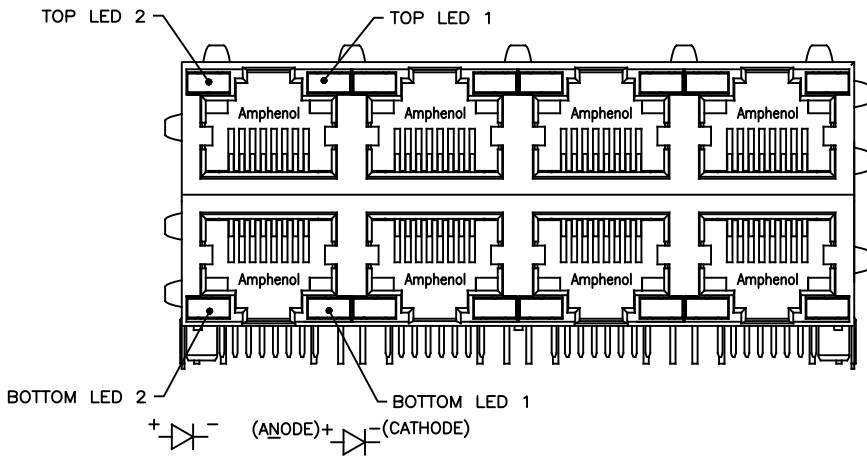


AMPHENOL PART NUMBER: RJSAE-X38X-08X

GOLD PLATING OPTION:
D=6u" GOLD PLATING
G=15u" GOLD PLATING
J=30u" GOLD PLATING
5=50u" GOLD PLATING

REFER TO LED OPTIONS DRAWING FOR ORDERING CODES

UNLESS SPECIFIED OTHERWISE		DRAWN HANSON.C	JUN02/18	Amphenol Canada Corp. Commercial Products	
PRIMARY UNITS INCHES	CHECKED AMY.Z	JUN02/18			
SECONDARY MILLIMETERS	M.E. APP'D				
REFERENCE IN PARENTHESES	Q.A. APP'D				
	DWG APP'D			STACKABLE MULTI-PORT MODULAR JACK, 8 POS. 8 CONTACTS, 2 LEDS PER PORT, SHIELDED WITH SIDE TABS AND TOP TABS -RoHS COMPLIANT	
	ENG. REL. NO.				
	REF.				
1 DECIMAL PLACE 2 DECIMAL PLACES 3 DECIMAL PLACES ±0.015 ANGULAR DEGREES ±1.5°	THIRD ANGLE PROJECTION	DO NOT SCALE DRAWING	DWG NO. P-RJSAE-X38X-08X	REV C	
THIS DOCUMENT CONTAINS PROPRIETARY INFORMATION AND SUCH INFORMATION MAY NOT BE DISCLOSED TO OTHERS FOR ANY PURPOSE OR USED FOR MANUFACTURING PURPOSES WITHOUT WRITTEN PERMISSION FROM AMPHENOL CANADA CORP.		CODE ID NO. 03554	DWG SIZE	SCALE	SHEET 1 OF 2



REVISIONS			
REV	DESCRIPTION, ECN, EAR NO.	DATE	APP'D
A	PROPOSAL DRAWING	JUN02/18	L.CHAN
B	PROPOSAL DRAWING	JAN21/20	L.CHAN
C	ADD LED INFORMATION	AUG28/20	L.CHAN

LED SPECIFICATIONS:
FORWARD VOLTAGE:
 1.8~2.4 VOLTS.(FOR SINGLE COLORS)
 2.6~3.4 VOLTS.(FOR BI-COLORS)
REVERSE VOLTAGE: 5.0 VOLTS MAX.
LUMINOUS INTENSITY:
 6~60 mcd (FOR SINGLE COLORS) (AT If=20mA)
 3~15 mcd (FOR BI-COLORS) (AT If=20mA)
OPERATING TEMPERATURE: -40°C TO 85° C
WAVE SOLDERING TEMPERATURE: 260° C (5 SEC, 1/16" FROM CASE)
PLATING ON TAILS: TIN OR TIN/COPPER ALLOY OVER SILVER

PRIMARY COLOR FOR BI-COLOR LEDS IN STANDARD ANODE/CATHODE CONFIGURATION IS:
 RED-GREEN= RED
 RED-YELLOW= RED
 GREEN-YELLOW= GREEN
 GREEN-ORANGE= GREEN

LEGEND

BIC=BI-COLOR LED
 LOWC=LOW CURRENT LED
 YE=YELLOW
 GR=GREEN
 RD=RED
 OR=ORANGE

NOTE:

THE TWO DIGITS PRECEDING THE ADDITIONAL LED CODE MUST BE USED IN THE PART NUMBER, WHEN ORDERING ANY OF THE ADDITIONAL LED OPTIONS.

EXAMPLE:1
 PART NUMBER RJSAE-538X-08

STANDARD LED COLOR CODE

EXAMPLE:2
 PART NUMBER RJSAE-538U-08-XX

BOTTOM ASSY LED (SAME AS STANDARD CODE)
 TOP ASSY LED (SAME AS STANDARD CODE)

SPECIAL CODE FOR TOP & BOTTOM LEDS CONFIGURATION

STANDARD LED COLOR CODE:

CODE	LED 2 (LEFT)	LED 1 (RIGHT)	CODE	LED 2 (LEFT)	LED 1 (RIGHT)	CODE	LED 2 (LEFT)	LED 1 (RIGHT)
0	BLOCKED	BLOCKED	9	GREEN	BLOCKED	J	Bic RD/GR	YELLOW
1	YELLOW	GREEN	A	BiC GR/YE	BiC GR/YE	K	YELLOW	BiC GR/OR
2	BLOCKED	GREEN	B	BiC RD/GR	BiC RD/GR	L	BiC GR/YE	RED
3	YELLOW	BLOCKED	C	BiC RD/GR	BiC GR/YE	M	RED	YELLOW
4	GREEN	YELLOW	D	GREEN	BiC GR/YE	N	BiC GR/RD	BiC GR/YE
5	GREEN	GREEN	E	YELLOW	BiC GR/YE	P	GREEN	BiC RD/GR
6	YELLOW	YELLOW	F	BiC GR/YE	YELLOW	R	BiC GR/OR	GREEN
7	RED	GREEN	G	BiC GR/OR	BiC GR/OR	T	RED	RED
8	GREEN	RED	H	BiC GR/YE	GREEN	V	BiC RD/GR	GREEN
						W	ADDITIONAL OPTIONS	
						U	SPECIAL CODE FOR TOP & BOTTOM LEDS CONFIGURATION	

EXAMPLE:3
 PART NUMBER RJSAE-538W-08X

ADDITIONAL LED COLOR CODE

DENOTES ADDITIONAL LED OPTIONS TO BE USED

ADDITIONAL LED COLOR CODE:

CODE	LED 2 (LEFT)	LED 1 (RIGHT)	CODE	LED 2 (LEFT)	LED 1 (RIGHT)	CODE	LED 2 (LEFT)	LED 1 (RIGHT)
0	DO NOT USE		5	BLOCKED	YELLOW	A	LOWC YE	LOWC YE
1	RED	BLOCKED	6	RED	BiC RD/GR	B	LOWC YE	LOWC GR
2	BiC GR/OR	YELLOW	7	BLOCKED	BiC RD/GR	C	LOWC GR	LOWC YE
3	YELLOW	RED	8	BiC RD/GR	BLOCKED	D	LOWC GR	LOWC GR
4	BLOCKED	RED	9	BiC GR/YE	BLOCKED	M	LOWC RD	LOWC YE
						N	GREEN	BiC GR/OR
						E	GREEN	ORANGE
						F	ORANGE	GREEN
						G	BiC YE/GR	BiC YE/GR
						P	BiC RD/YE	GREEN
						R	BiC RD/YE	BiC RD/YE
						T	BiC GR/YE	BiC RD/GR
						H	BLUE	RED
						L	YELLOW	BiC YE/GR



UNLESS SPECIFIED OTHERWISE	DRAWN HANSON.C	JUN02/18
PRIMARY UNITS INCHES	CHECKED AMY.Z	JUN02/18
SECONDARY MILLIMETERS	M.E. APP'D	
REFERENCE IN PARENTHESES	Q.A. APP'D	
	DWG APP'D	
	ENG. REL. NO.	
	REF.	
1 DECIMAL PLACE		
2 DECIMAL PLACES		
3 DECIMAL PLACES ±0.015		
ANGULAR DEGREES ±1.5°		
	THIRD ANGLE PROJECTION	
	DO NOT SCALE DRAWING	

Amphenol Canada Corp. Commercial Products		
STACKABLE MULTI-PORT MODULAR JACK, 8 POS. 8 CONTACTS, 2 LEDS PER PORT, SHIELDED WITH SIDE TABS AND TOP TABS -RoHS COMPLIANT		
DWG NO.	P-RJSAE-X38X-08X	
CODE ID NO. 03554	DWG SIZE	SHEET 2 OF 2

THIS DOCUMENT CONTAINS PROPRIETARY INFORMATION AND SUCH INFORMATION MAY NOT BE DISCLOSED TO OTHERS FOR ANY PURPOSE OR USED FOR MANUFACTURING PURPOSES WITHOUT WRITTEN PERMISSION FROM AMPHENOL CANADA CORP.