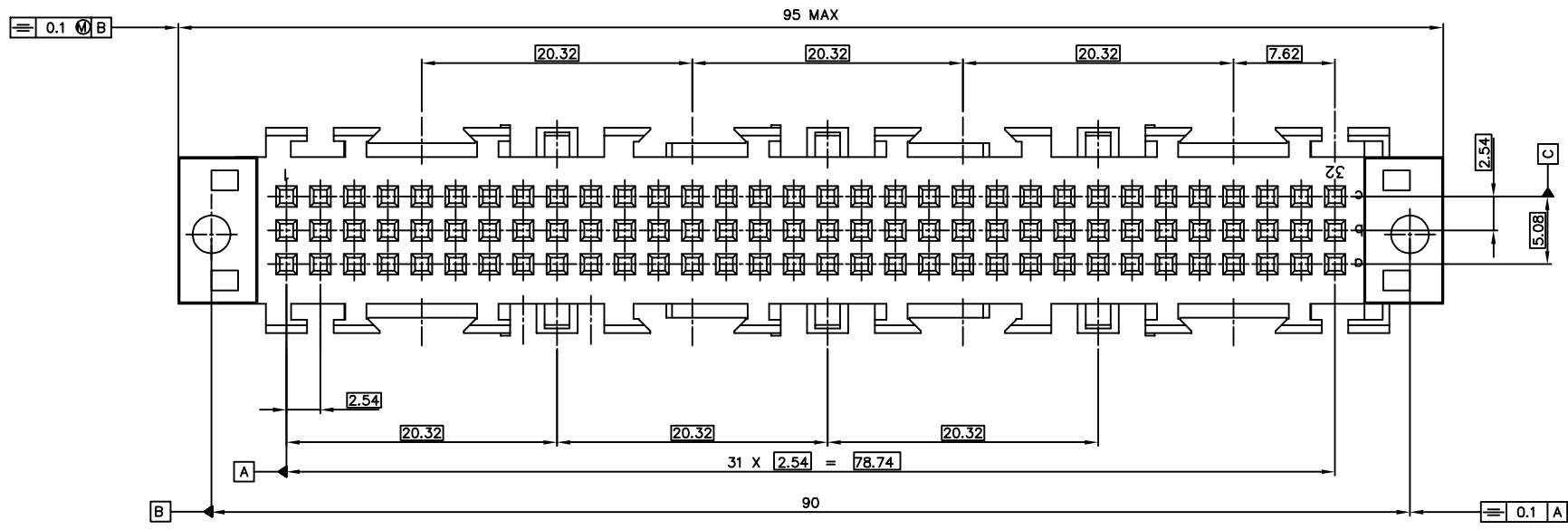
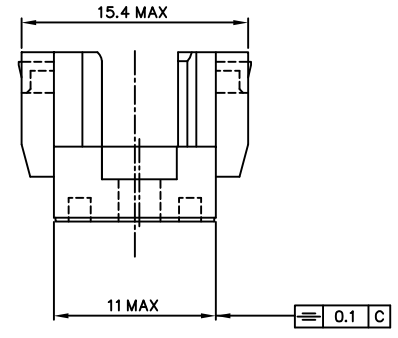
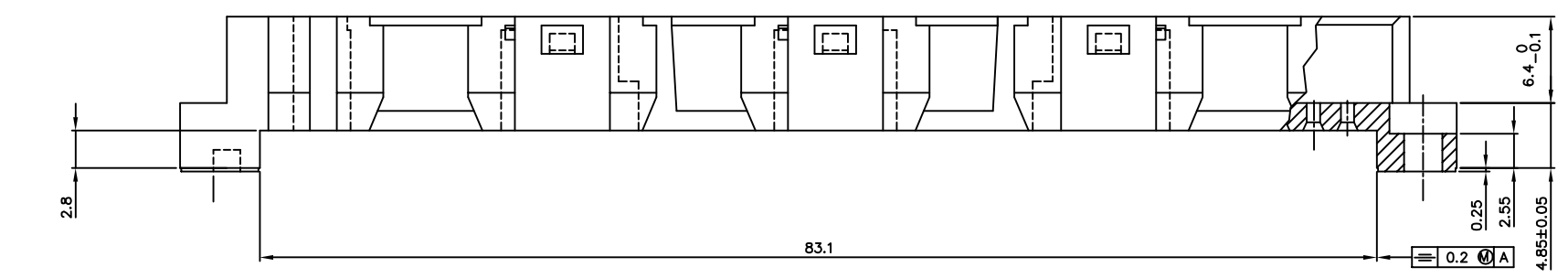
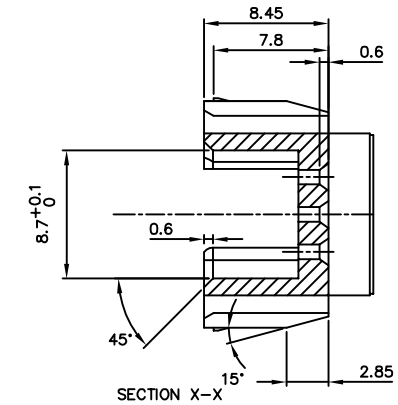
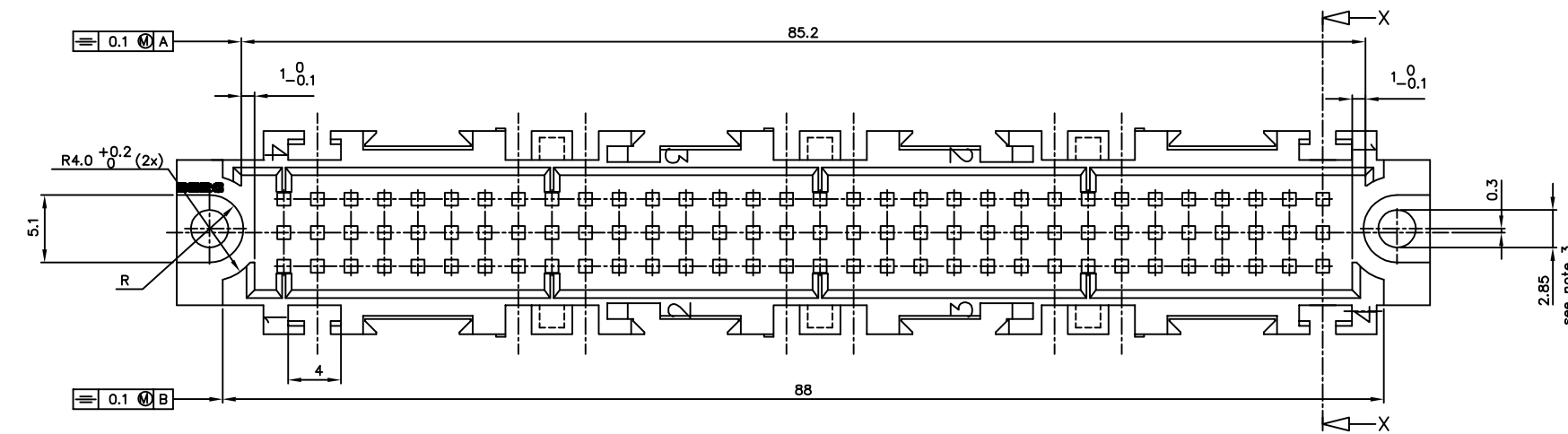


Product number	Remarks
85344-001	With notches
85344-002	Without notches



NOTES:-

- THIS PRODUCT MEETS EUROPEAN UNION DIRECTIVES AND OTHER COUNTRY REGULATIONS AS DESCRIBED IN GS-22-008.
- LEADFREE OR RoHS DIRECTIVE LABELLING TO BE PROVIDED AS PER GS-14-920.
- " LF " SUFFIX TO PRODUCT NUMBER FOR RoHS COMPATIBLE/ LEADFREE VERSION.
- PARTS WITH AND WITHOUT " LF " SUFFIX ARE FORM-FIT AND FUNCTIONALLY IDENTICAL. " LF " SUFFIX PROVIDED FOR PART NUMBER STANDARDISATION OF PART THAT MEETS RoHS REQUIREMENTS.
- Product with or without modular frame walls (notches), for product number see table
- Material: PBT thermoplastic polyester 30% glass filled flame retardant per UL-94-V0
- Max torque of 20 Ncm allowed on M2.5 bolt through mounting ears, if not used in combination with metal shield part number 85350-001

mat'l. code		surface		tolerance		projection		product family	
SEE NOTE		ISO 1302		ISO 406 ISO 1101				BACKPANEL	
ltr ecn no dr date		tolerances unless otherwise specified		angles		mm		title	
C	H50508	RVI	1995-09-08	linear				3x32 SHROUD WITH LATCH FRAME	
D	F00406	LLA	2000-05-22			scale -			
E	I05-0123	MINI	2005-07-27						
F	I05-0248	MINI	2005-11-22	dr		D.LEGRAND		2000-10-10	
G	I06-0083	MINI	2006-06-01	enr		J.F.NOTTEAU		2000-10-10	
				chr		RAKHEE GEORGE		2006-06-01	
				appd		RAKHEE GEORGE		2006-06-01	
sheet index	revision sheet	G	1					dwg no	
								sheet 1 of 1	
								size	
								A3	
								type	
								Product Customer Drawing	

Copyright FCI  
 FCIconnect.com