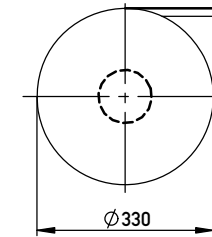
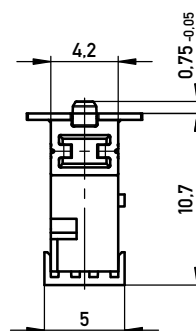
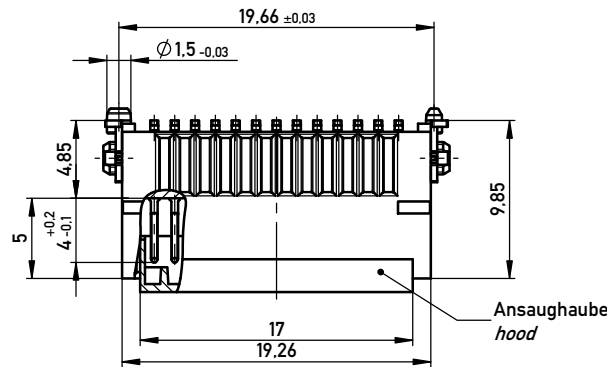
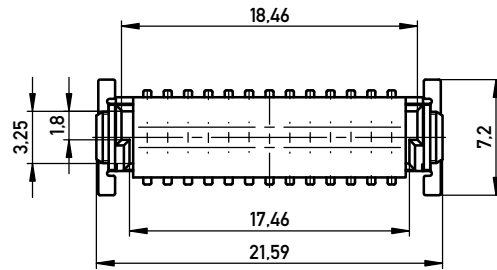
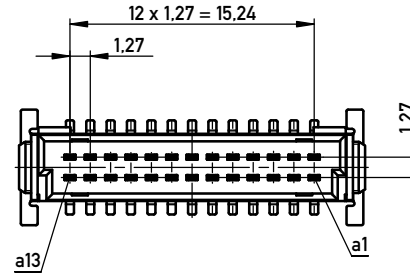


Verpackt im Gurt in Anlehnung an DIN IEC 60286-3
tape on reel packaging according to DIN IEC 60286-3
 Verpackungseinheit: 250 Stück
packaging unit: 250 pcs



ohne Ansaughaube - *without hood*



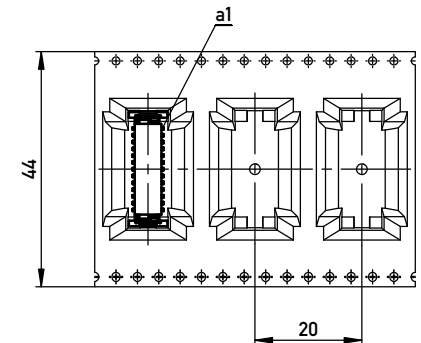
Anforderungsstufe 1
performance level 1

Kontaktbereich vergoldet
mating area gold plating

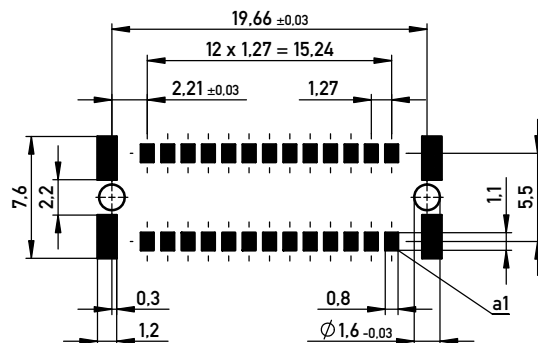
Anschlussbereich verzinkt 4-6 µm
terminal area 4-6 µm tin plating

Koplanarität der Anschlüsse ≤ 0,1 mm
coplanarity area of termination ≤ 0,1 mm

Abspulrichtung - *Reel off Direction*



Leiterplatten-Layout Vorschlag für SMT
PCB-Layout Proposal for SMT



Copyright by ERNI Production GmbH & Co., KG
 Proprietary notice pursuant to ISD 18016 to be observed.

Information:		Tolerances	All Dimensions in mm	Scale 3:1	BA 8-23 - hohe Bauhöhe type 8-23 - High Profile
All rights reserved. Only for Information. To ensure that this is the latest version of this drawing, please contact one of the ERNI companies before using.		Subject to modification without prior notice. Drawing will not be updated.		Designation Messertl. SMC-Q 26-SMD-BA8-23 <i>Male SMC-Q 26-SMD-type8-23</i>	
f		06.09.2018		234207	
Index		Date		I A3	
		www.ERNI.com		Class SMCQ	