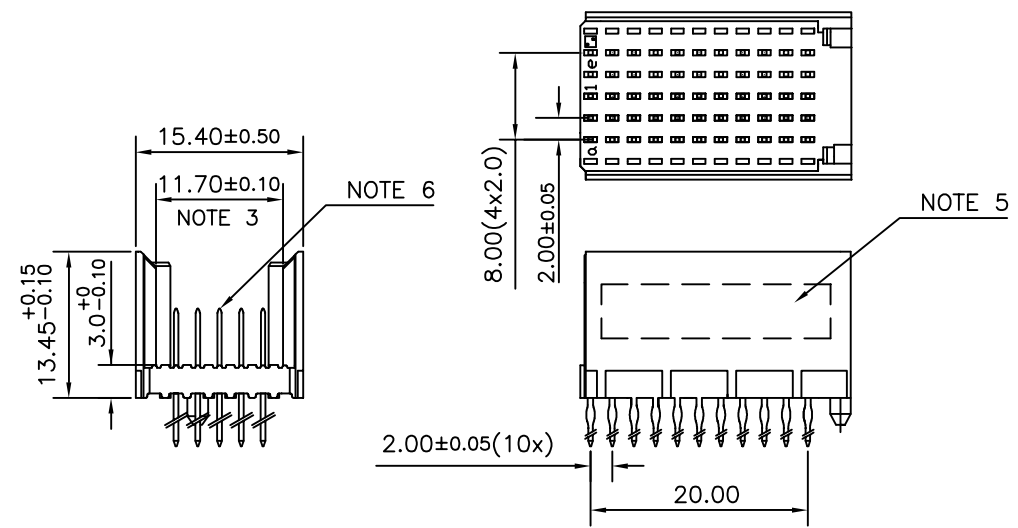


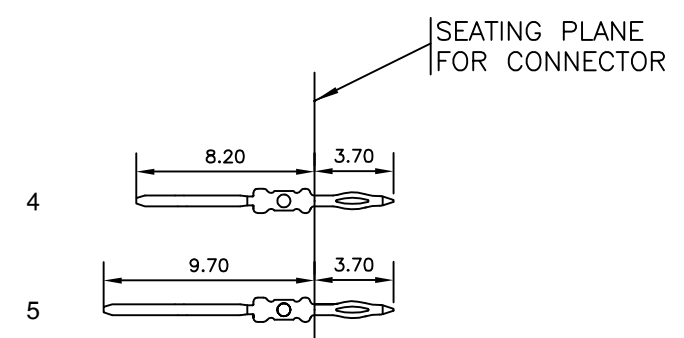
LOADING PATTERN MATING SIDE

f	0	0	0	0	0	0	0	0	0	0	
e	0	5	5	0	5	5	0	5	5	0	0
d	0	4	4	0	4	4	0	4	4	0	0
c	0	5	5	0	5	5	0	5	5	0	0
b	4	4	4	4	4	4	4	4	4	4	4
a	4	4	4	4	4	4	4	4	4	4	4
z	0	0	0	0	0	0	0	0	0	0	0
POS	01			05						10	

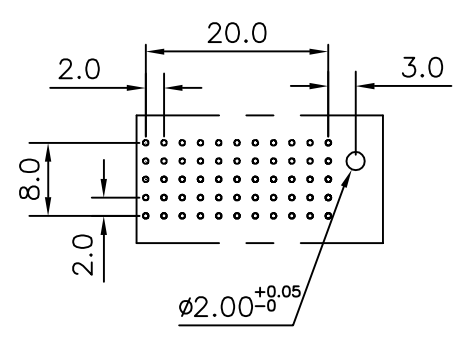
LOADED CONNECTOR ASSEMBLY
(FOR EXAMPLE)



CONTACT OVERVIEW



LAY-OUT P.C.B.-HOLE



HM2P09PDT010 **LEAD FREE INDICATOR : LF = LEAD FREE (DIGIT 15 & 16)**
PLATING CODE (DIGIT 13 AND 14)
 (REF DRW NO. BS,C , 201844 , 003)

NOTES

- THIS PRODUCT IS CSA APPROVED.
 - THIS PRODUCT IS UL RECOGNIZED.
 - MEASURED AT THE BOTTOM.
 - MATERIAL CONTACT: PHOSPHORBRONZE
HOUSING: CREAM WHITE GLASS FILLED POLYESTER UL-94V0
 - CONNECTOR PRINTED WITH P/N AND DATE CODE.
 - FOR ACTUAL CONTACT LOADINGS, SEE LOADING PATTERN MATING SIDE.
 - SHAPE OF CONNECTOR HOUSING CAN ALTER DEPENDING ON PRODUCTION LOCATION
 - THE PRODUCT (LF) MEETS EUROPEAN UNION DIRECTIVES AND OTHER COUNTRY REGULATIONS AS DESCRIBED IN GS-22-008
 - FOR RECOMMENDED PTH DIMENSIONS REFER DRAWING : BS, A , 201572 , 001
- CATALOG NO: HM2P09PDT010- - -

mat'l. code SEE NOTE 4				surface ISO 1302 ✓		tolerance ISO 406 ISO 1101		projection MM		product family MLLIPACS			
litr				ecn no		dr		date		title			
A				105-0239		MINI		2005-11-19		MPACS 5+2R STR HDR PF CONN TYPE C			
B				106-0131		MINI		2006-07-26					
				angles		linear		0°±1°		scale -			
				dr		MINI K VANDANATH		2005-11-19		FCI sheet 1 of 1 size 5 BS, C , 203028,426 A3 type Product Customer Drawing			
				enr		BIJU K PAUL		2005-11-19					
				chr		BIJU K PAUL		2006-07-26					
				appd		BIJU K PAUL		2006-07-26					
sheet index		revision sheet		B		1							

Copyright FCI
 FCconnect.com