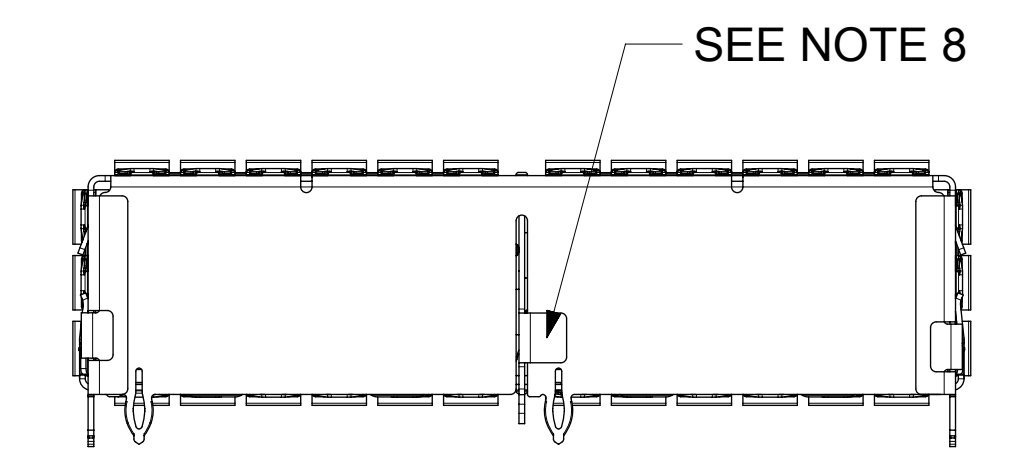
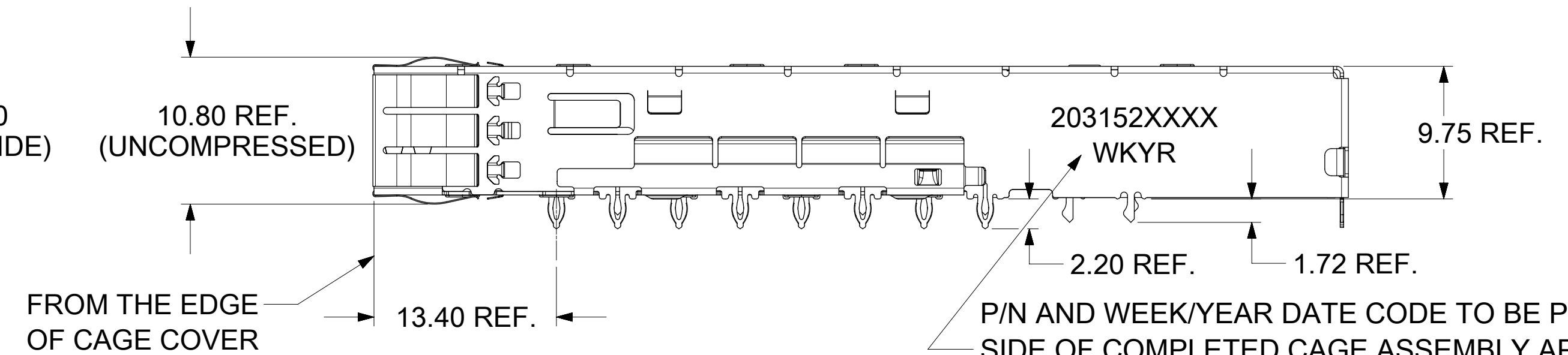
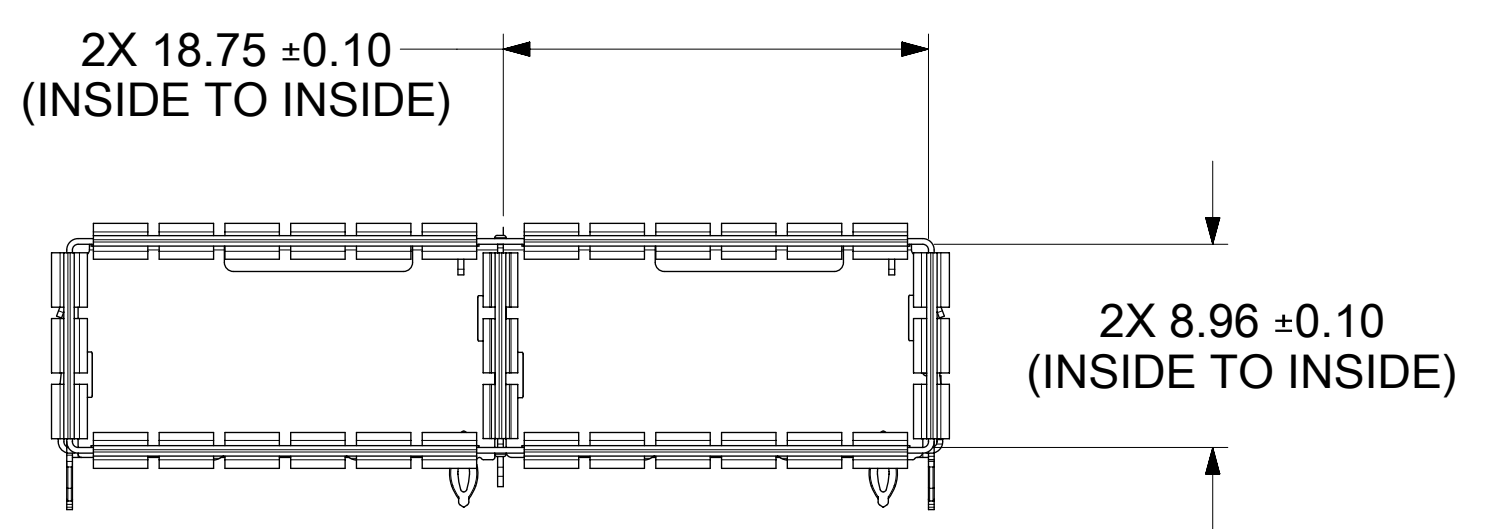
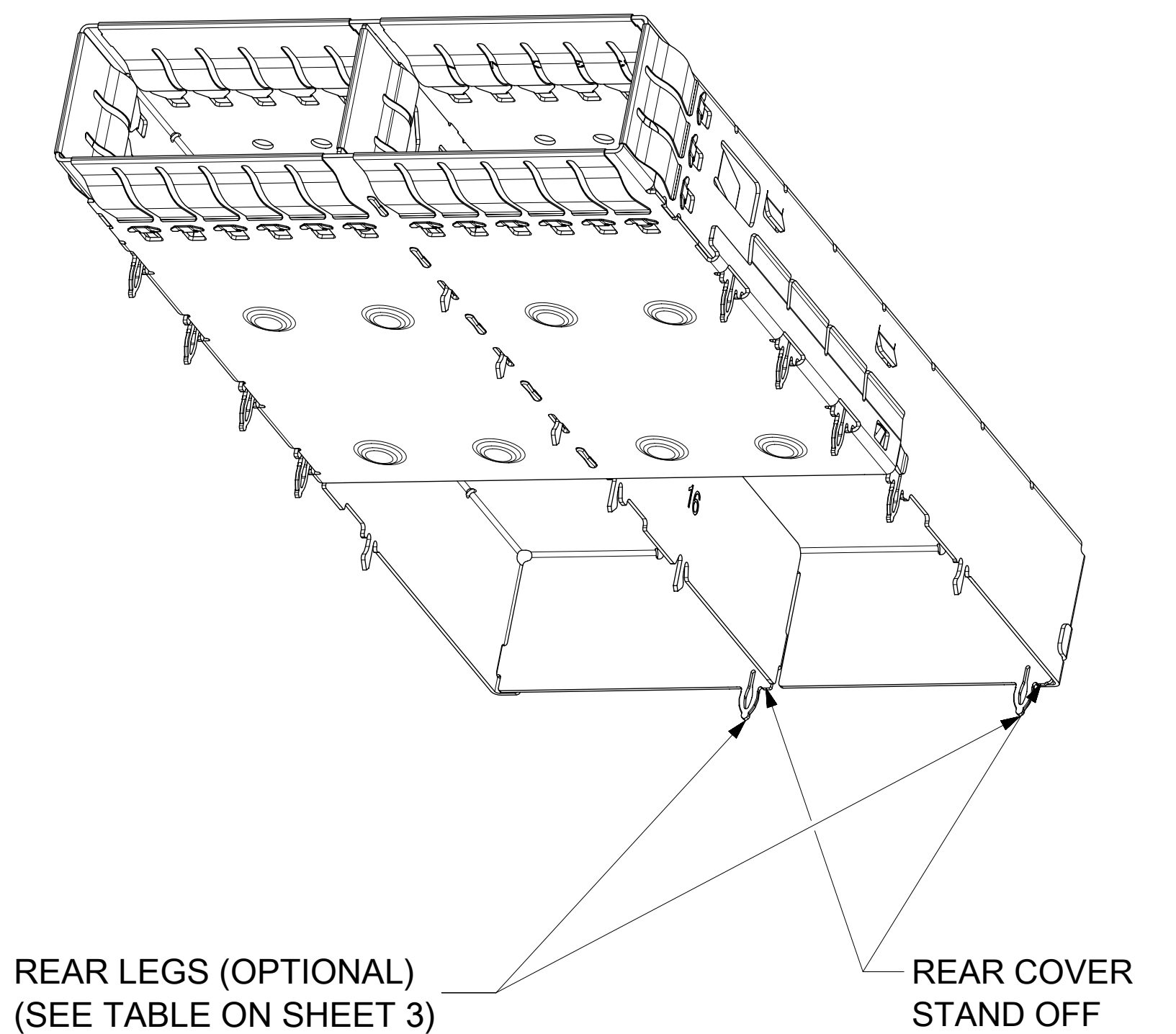
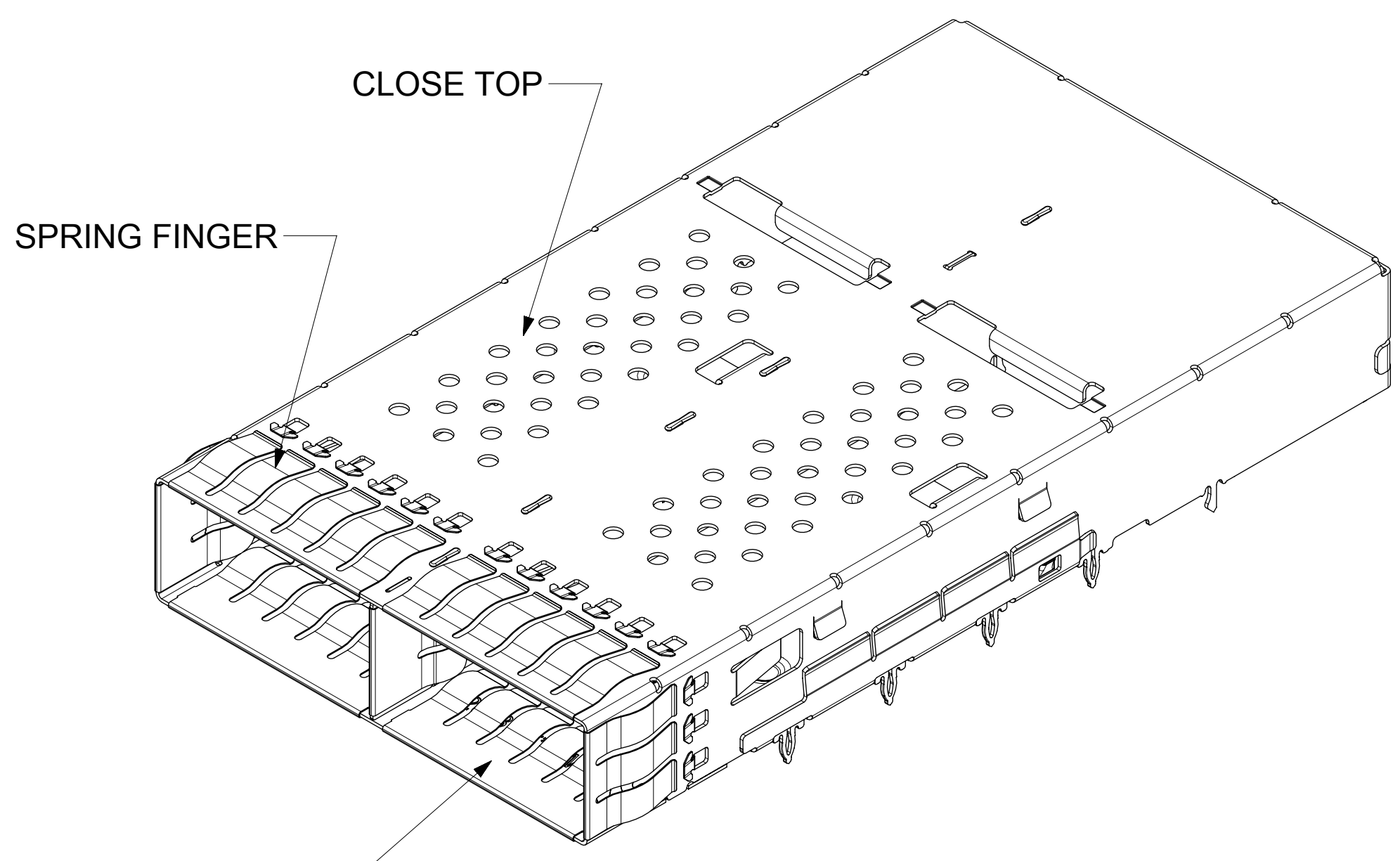
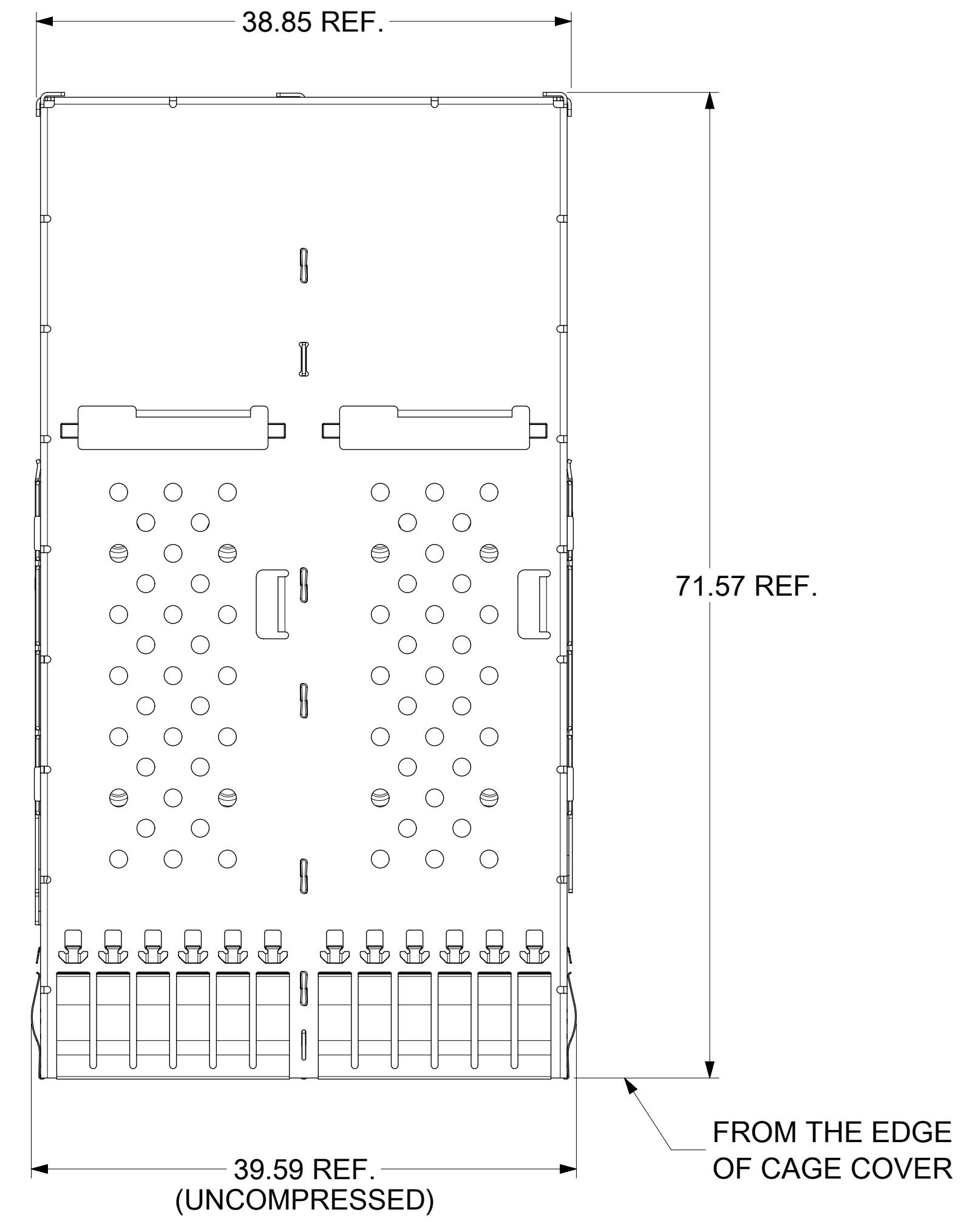


BASE CAGE DETAILS

2031523244 SHOWN



- NOTES:
- MATERIAL: CAGE: STAINLESS STEEL
 SPRING FINGERS: STAINLESS STEEL
 HEAT SINKS: ALUMINUM (BLACK ANODIZATION)
 HEAT SINK CLIP: STAINLESS STEEL
 - DRAWING APPLIES TO ALL P/N'S SHOWN ON PAGE 3
 - DURING FINAL INSPECTION, CAGE LEG LOCATIONS AND STRAIGHTNESS MUST BE CHECKED USING APPROPRIATE GO - NO GO GAGE
 - DURING FINAL INSPECTION, CAGE MUST BE INSPECTED TO MAKE SURE LEG CONFIGURATIONS AND PART NUMBERS ARE CORRECT, REFER TO SHEETS 2 AND 3.
 - PARTS TO BE INSPECTED PER MOLEX COSMETIC SPEC WI-HP-7-2774 (CLASS B UNLESS OTHERWISE SPECIFIED)
 - PRESS-FIT LEGS 2.20mm LONG -
 1.57mm MINIMUM PCB THICKNESS FOR SINGLE SIDED USE.
 2.70mm MINIMUM PCB THICKNESS FOR BELLY TO BELLY USE.
 - NO RoHS EXEMPTIONS
 - WELD SPOT MAY SHOW SLIGHT MATERIAL DISCOLORATION.

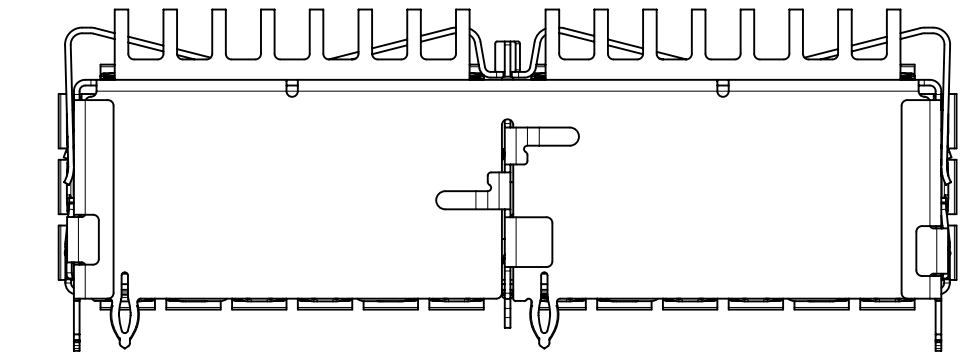
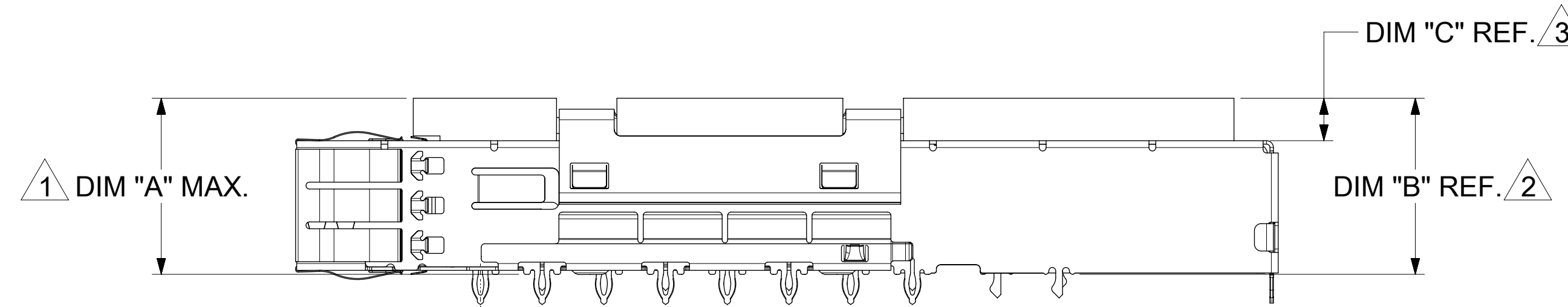
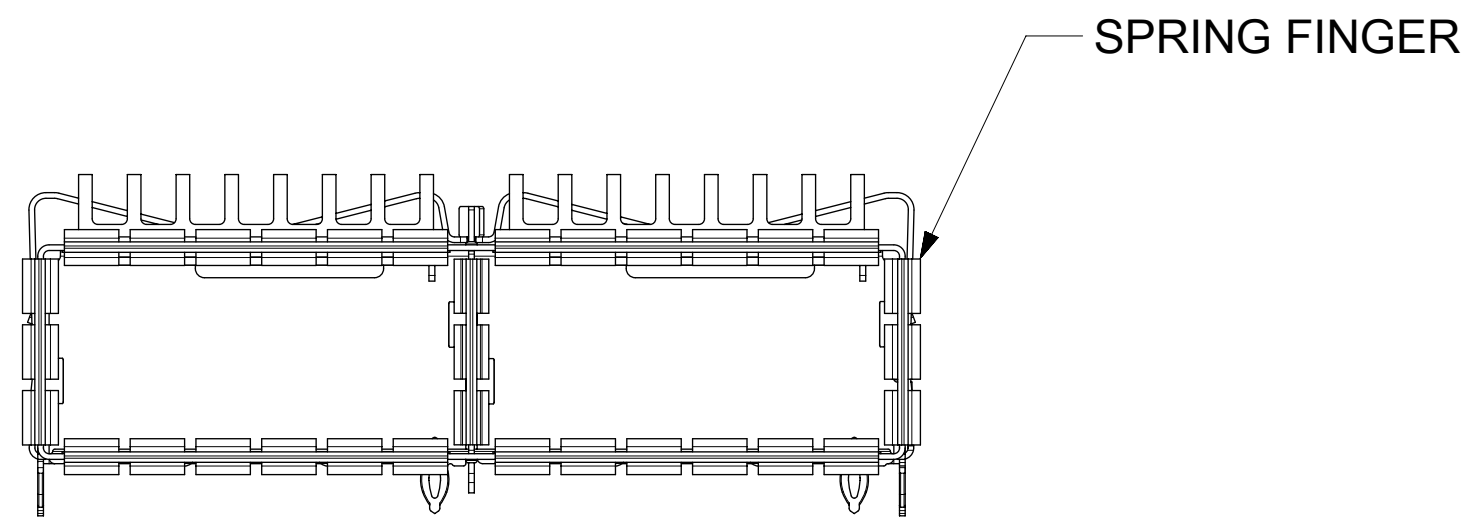
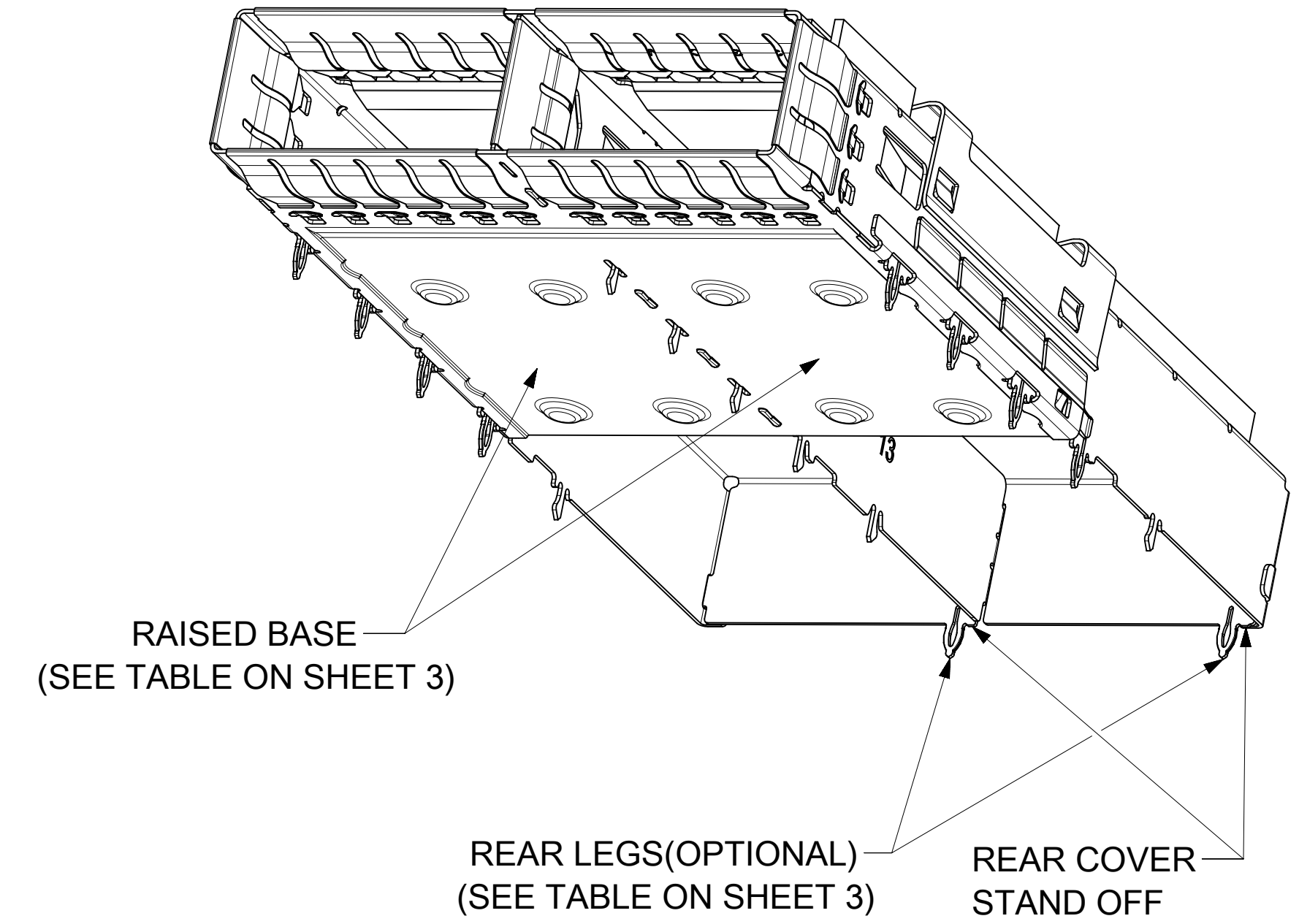
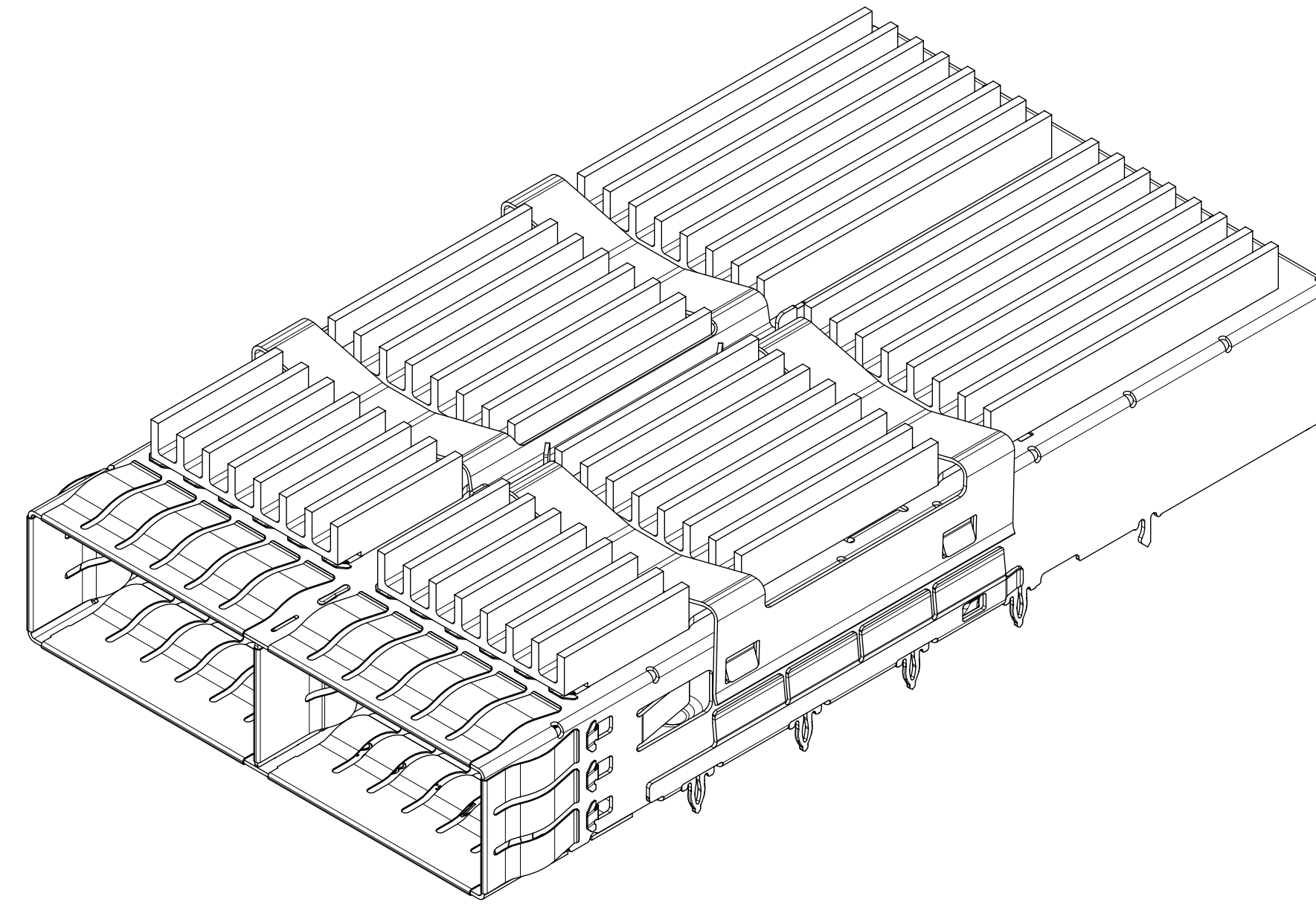
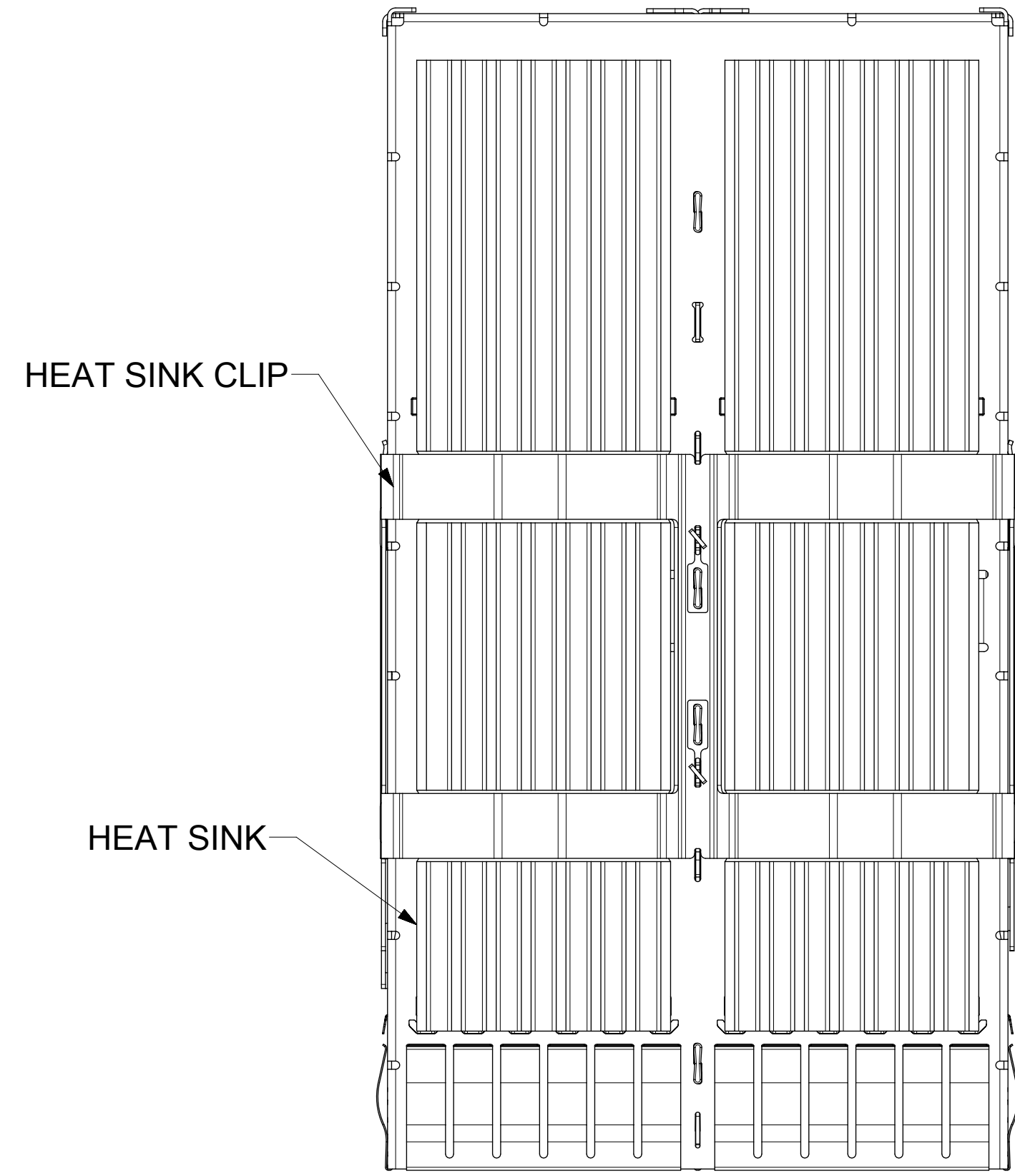
P/N AND WEEK/YEAR DATE CODE TO BE PRINTED ON SIDE OF COMPLETED CAGE ASSEMBLY APPROXIMATELY AS SHOWN. SEE TABLE BELOW FOR DATE CODE INFORMATION.

WEEK/YEAR DATE CODE TABLE	
WK	WEEK OF THE YEAR 01 THRU 52 OR 53 (EXAMPLE: 01= FIRST WEEK OF YEAR, 52 OR 53 = LAST WEEK OF YEAR)
YR	18, 19, 20 ETC.. (EXAMPLE: YEAR 2018= 18)

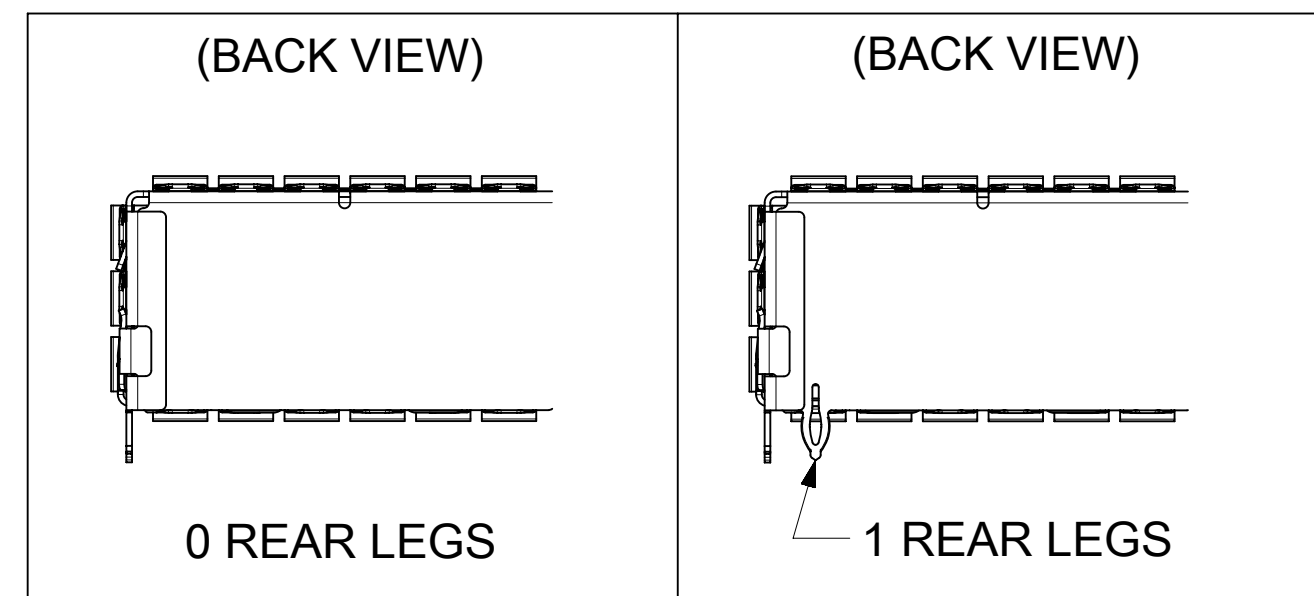
THIS DRAWING CONTAINS INFORMATION THAT IS PROPRIETARY TO MOLEX ELECTRONIC TECHNOLOGIES, LLC AND SHOULD NOT BE USED WITHOUT WRITTEN PERMISSION									
DIMENSION UNITS	SCALE	CURRENT REV DESC: SEE REVISION TABLE							
mm	3:1	<p>molex</p> <p>QSFP-DD 1X2 GANGED CAGE SF WITH FIN H/S OPTIONS</p> <p>PRODUCT CUSTOMER DRAWING</p>							
GENERAL TOLERANCES (UNLESS SPECIFIED)									
ANGULAR TOL	± 2.0°								
4 PLACES	±								
3 PLACES	±								
2 PLACES	± 0.13	EC NO: 717718	2022/08/05		DOCUMENT NUMBER		DOC TYPE	DOC PART	REVISION
1 PLACE	± 0.25	DRWN: MCHEN104	2022/08/15		2031523201		PSD	ASY	A3
0 PLACES	±	CHK'D: THSU02	2022/08/16		SEE P/N TABLE		GENERAL MARKET		SHEET NUMBER
DRAFT WHERE APPLICABLE MUST REMAIN WITHIN DIMENSIONS		APPR: SCHIEN	2022/08/16		SERIES		CUSTOMER		1 OF 7
THIRD ANGLE PROJECTION		DRWN: JYEN01	2019/06/20		D-SIZE		203152		
DRAWING		APPR: JCHIANG	2019/08/16		SERIES		203152		

CAGE ASSEMBLY OPTIONS

2031523349 SHOWN



REAR LEG OPTION



OVERALL HEAT SINK HEIGHT	DIM "B"
PCI	12.85
SAN	15.15
NET	22.15

OVERALL HEAT SINK HEIGHT	DIM "C"
PCI	3.10
SAN	5.40
NET	12.40

2 HEIGHT OF HEAT SINK WITHOUT MODULE INSERTED.

3 HEIGHT OF HEAT SINK

HEATSINK HEIGHT OPTIONS

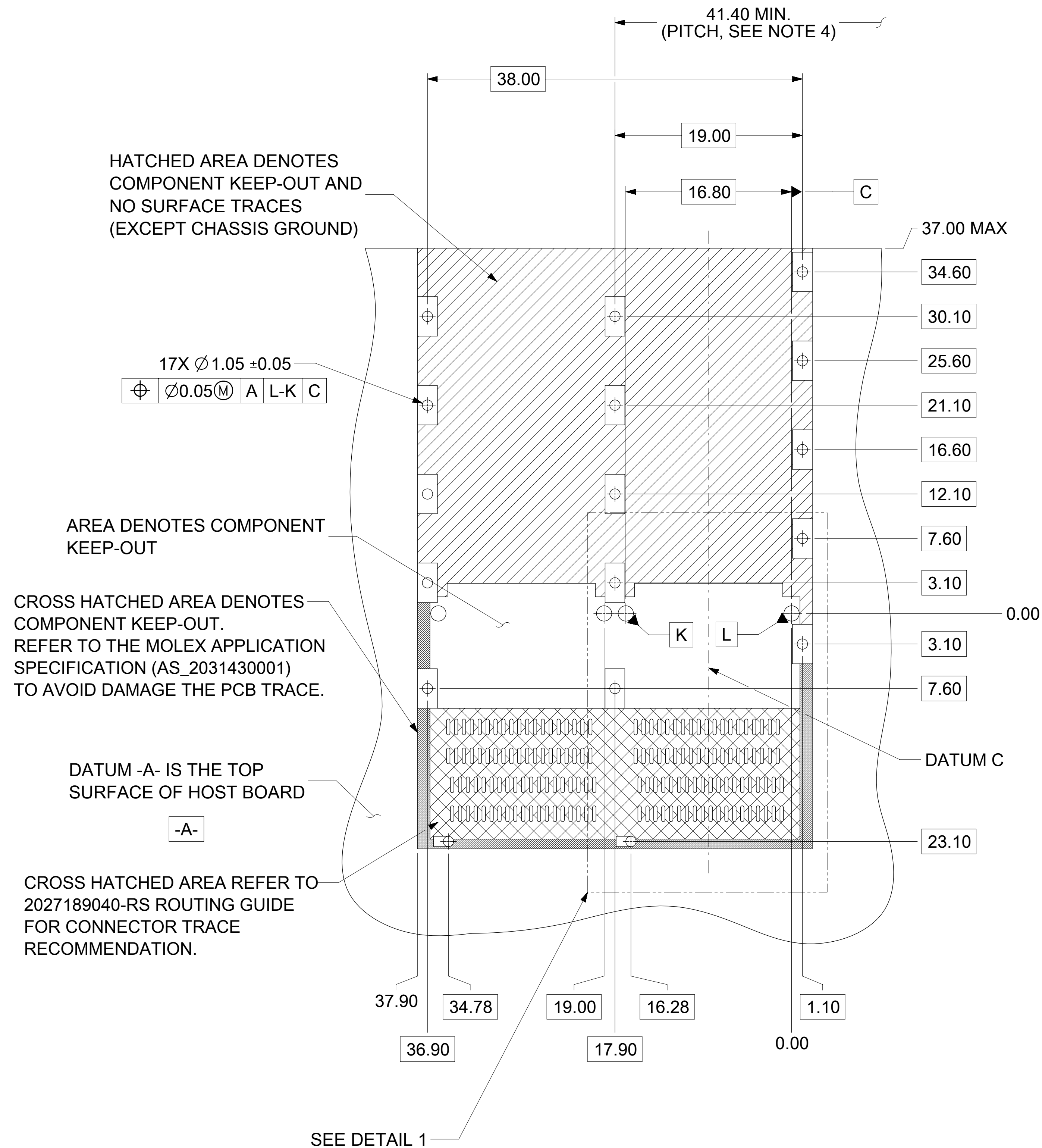
OVERALL HEAT SINK HEIGHT	DIM "A"
PCI	13.7
SAN	16.0
NET	23.0

1 HEIGHT OF HEAT SINK WITH MODULE INSERTED.
DIMENSION MAY BE LESS DUE TO MODULE AND HEAT SINK VARIATIONS

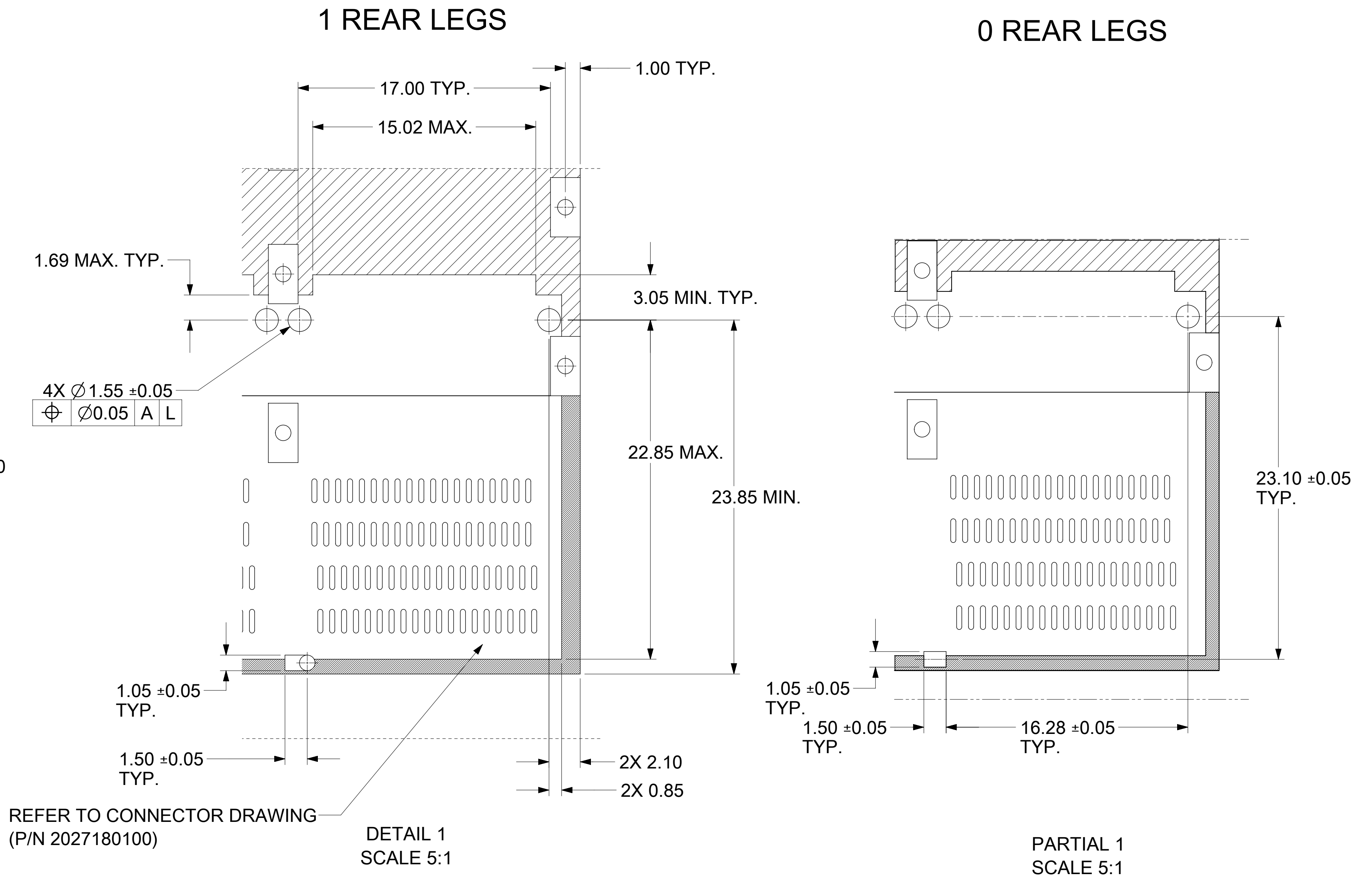
THIS DRAWING CONTAINS INFORMATION THAT IS PROPRIETARY TO MOLEX ELECTRONIC TECHNOLOGIES, LLC AND SHOULD NOT BE USED WITHOUT WRITTEN PERMISSION

DIMENSION UNITS	SCALE	CURRENT REV DESC: SEE REVISION TABLE	
mm	3:1		
GENERAL TOLERANCES (UNLESS SPECIFIED)			
ANGULAR TOL	± 2.0°		
4 PLACES	±	EC NO: 717718	
3 PLACES	±	DRWN: MCHEN104	2022/08/05
2 PLACES	± 0.13	CHK'D: THSU02	2022/08/15
1 PLACE	± 0.25	APPR: SCHIEN	2022/08/16
0 PLACES	±	INITIAL REVISION:	
DRAFT WHERE APPLICABLE MUST REMAIN WITHIN DIMENSIONS		DRWN: JYEN01	2019/06/20
THIRD ANGLE PROJECTION		APPR: JCHIANG	2019/08/16
DRAWING		SERIES	MATERIAL NUMBER
D-SIZE		203152	SEE P/N TABLE
CUSTOMER		GENERAL MARKET	
DOCUMENT NUMBER		DOC TYPE	DOC PART
2031523201		PSD	ASY
REVISION		SHEET NUMBER	
A3		2 OF 7	

PCB LAYOUT FOR SINGLE SIDED MOUNTING



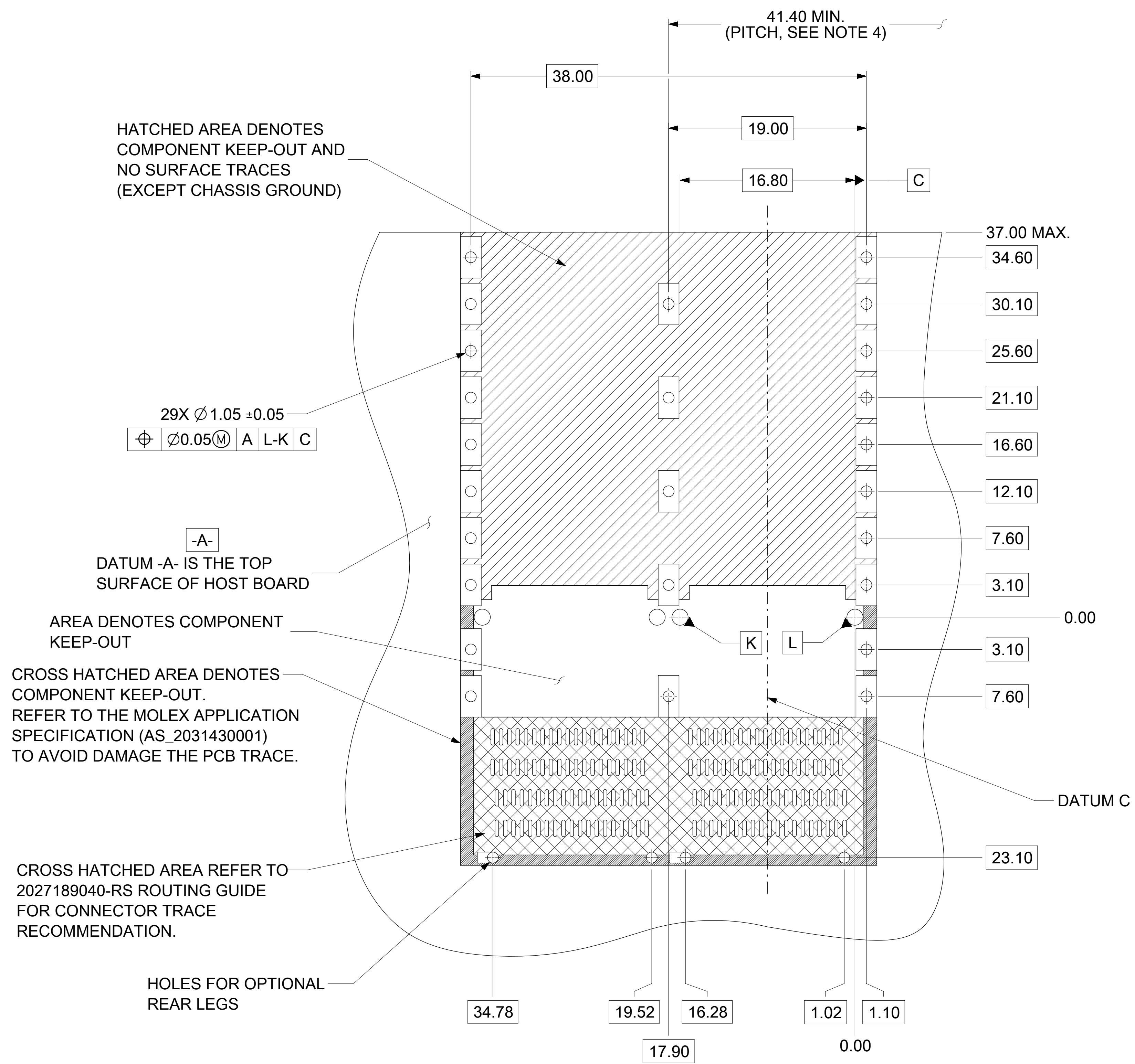
HOST CONNECTOR DETAIL



- NOTES:
1. PADS AND VIAS GO TO CHASSIS GROUND. (RECOMMENDED PADS TO BE 2.00X4.00mm RECTANGLE.)
 2. RECOMMENDED THRU HOLE PLATING INCLUDES HASL, OSP, OR IMMERSION (GOLD, SILVER, OR TIN).
 3. CONNECTOR PAD LAYOUT PER QSFP-DD MSA WILL ACCOMMODATE MOLEX CONNECTOR SERIES 202718.
 4. THIS DIMENSION IS FOR REFERENCE ONLY, USER CAN MODIFY IT DEPENDS ON APPLICATION.

THIS DRAWING CONTAINS INFORMATION THAT IS PROPRIETARY TO MOLEX ELECTRONIC TECHNOLOGIES, LLC AND SHOULD NOT BE USED WITHOUT WRITTEN PERMISSION										
DIMENSION UNITS	SCALE	CURRENT REV DESC: SEE REVISION TABLE								
mm	3.5:1	<div style="text-align: center;">molex</div> QSFP-DD 1X2 GANGED CAGE SF WITH FIN H/S OPTIONS PRODUCT CUSTOMER DRAWING								
GENERAL TOLERANCES (UNLESS SPECIFIED)										
ANGULAR TOL	$\pm 2.0^\circ$									
4 PLACES	\pm									
3 PLACES	\pm									
2 PLACES	± 0.13									
1 PLACE	± 0.25	EC NO: 717718	DRWN: MCHEN104	2022/08/05	DOCUMENT NUMBER: 2031523201 DOC TYPE: PSD DOC PART: ASY REVISION: A3					
0 PLACES	\pm	CHK'D: THSU02	2022/08/15	APPR: SCHIEN						2022/08/16
DRAFT WHERE APPLICABLE MUST REMAIN WITHIN DIMENSIONS		INITIAL REVISION:								
		DRWN: JYEN01	2019/06/20	APPR: JCHIANG		2019/08/16	GENERAL MARKET			
		THIRD ANGLE PROJECTION		DRAWING	SERIES	MATERIAL NUMBER	CUSTOMER	SHEET NUMBER		
				D-SIZE	203152	SEE P/N TABLE	GENERAL MARKET	4 OF 7		

PCB LAYOUT FOR BELLY TO BELLY MOUNTING



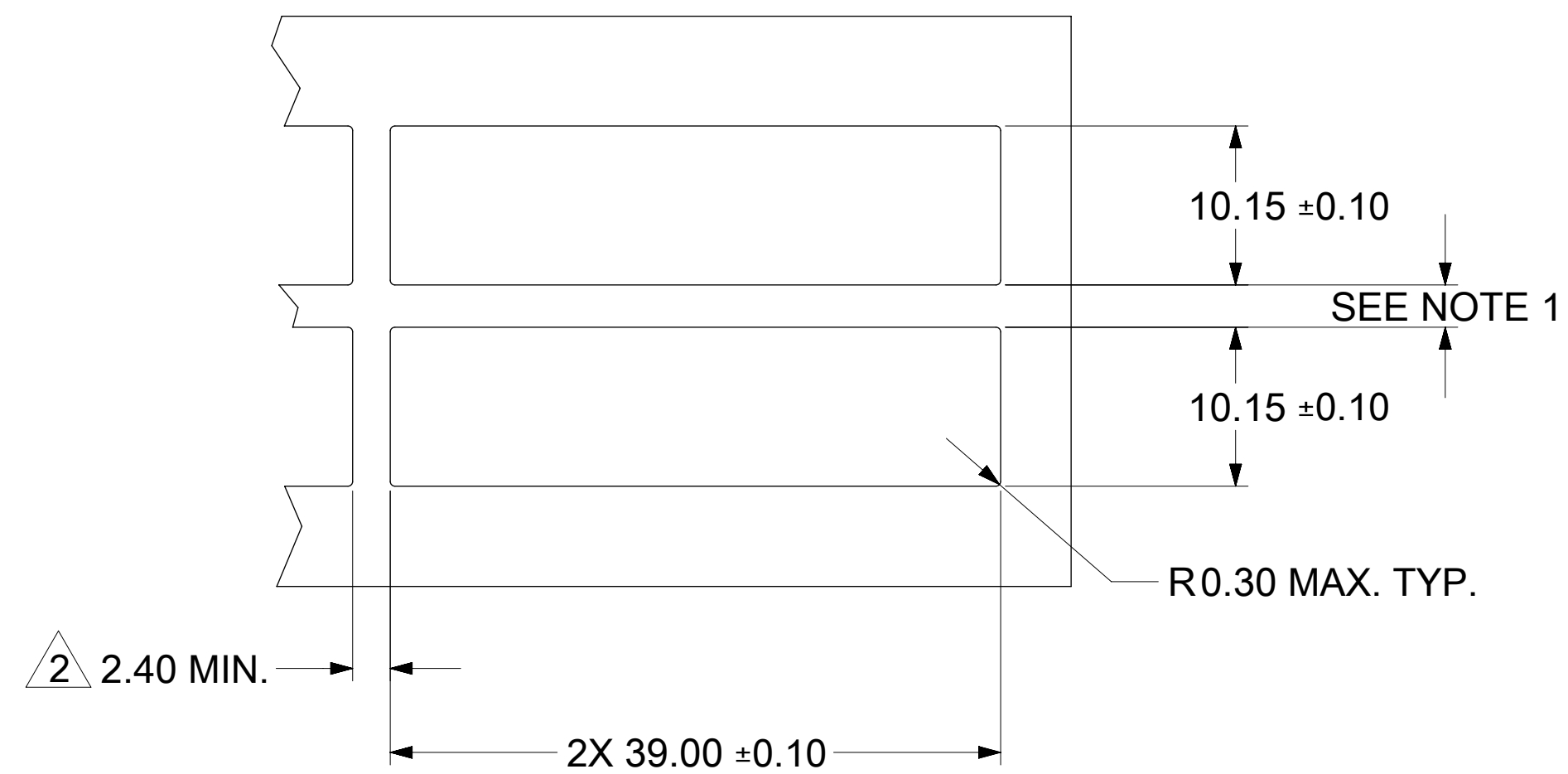
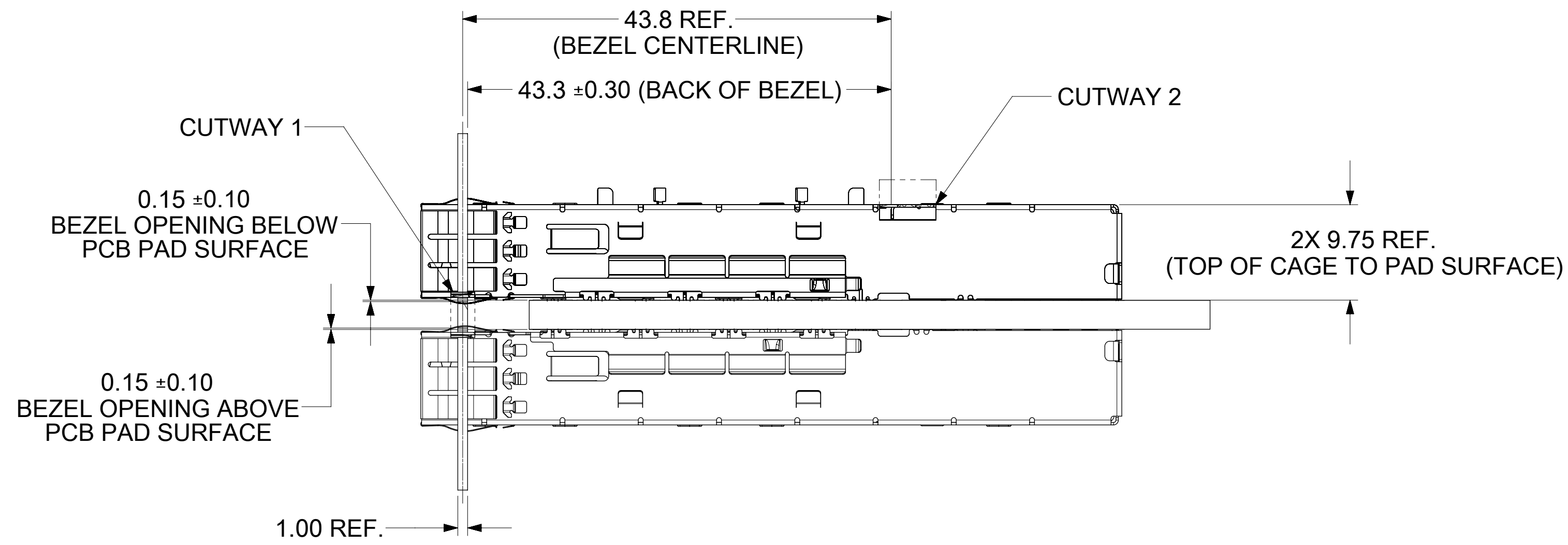
NOTE:
SEE SHEET 4 FOR
HOST CONNECTOR DETAIL

NOTES:

1. PADS AND VIAS GO TO CHASSIS GROUND. (RECOMMENDED PADS TO BE 2.00x4.00mm RECTANGLE.)
2. RECOMMENDED THRU HOLE PLATING INCLUDES HASL, OSP, OR IMMERSION (GOLD, SILVER, OR TIN).
3. CONNECTOR PAD LAYOUT PER QSFP-DD WILL ACCOMMODATE MOLEX CONNECTOR SERRIES 202718.
4. THIS DIMENSION IS FOR REFERENCE ONLY, USER CAN MODIFY IT DEPENDS ON APPLICATION.

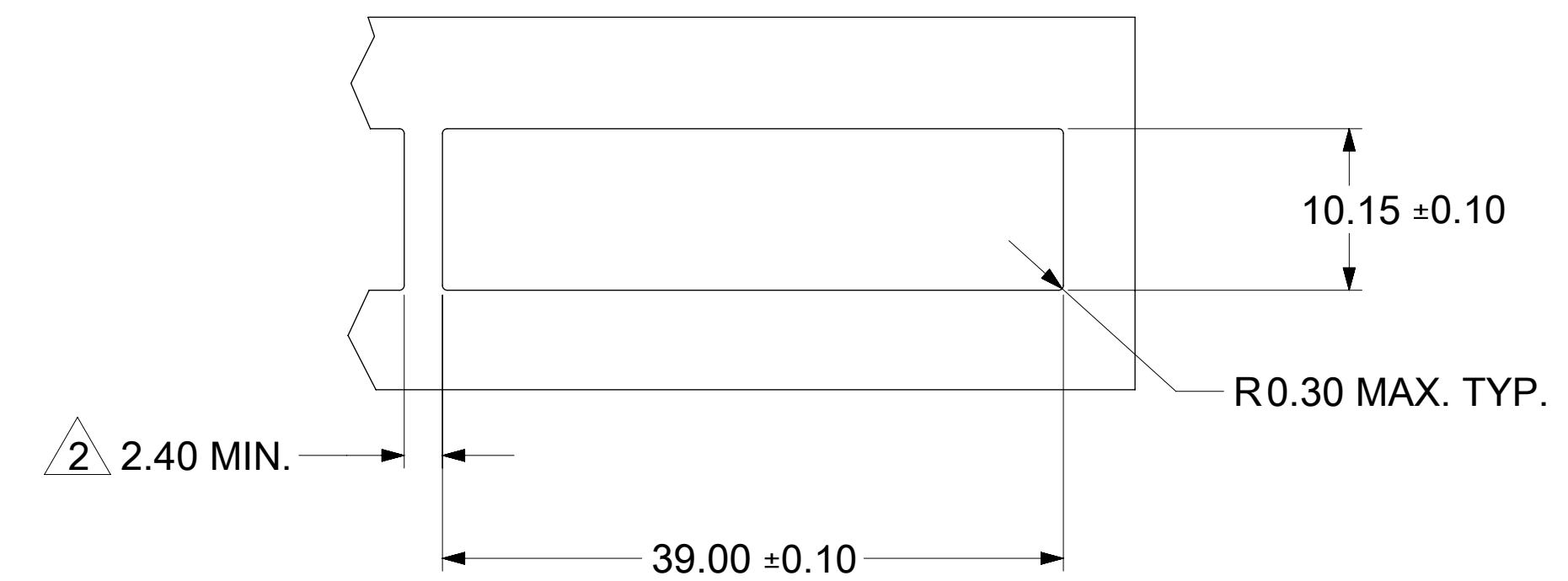
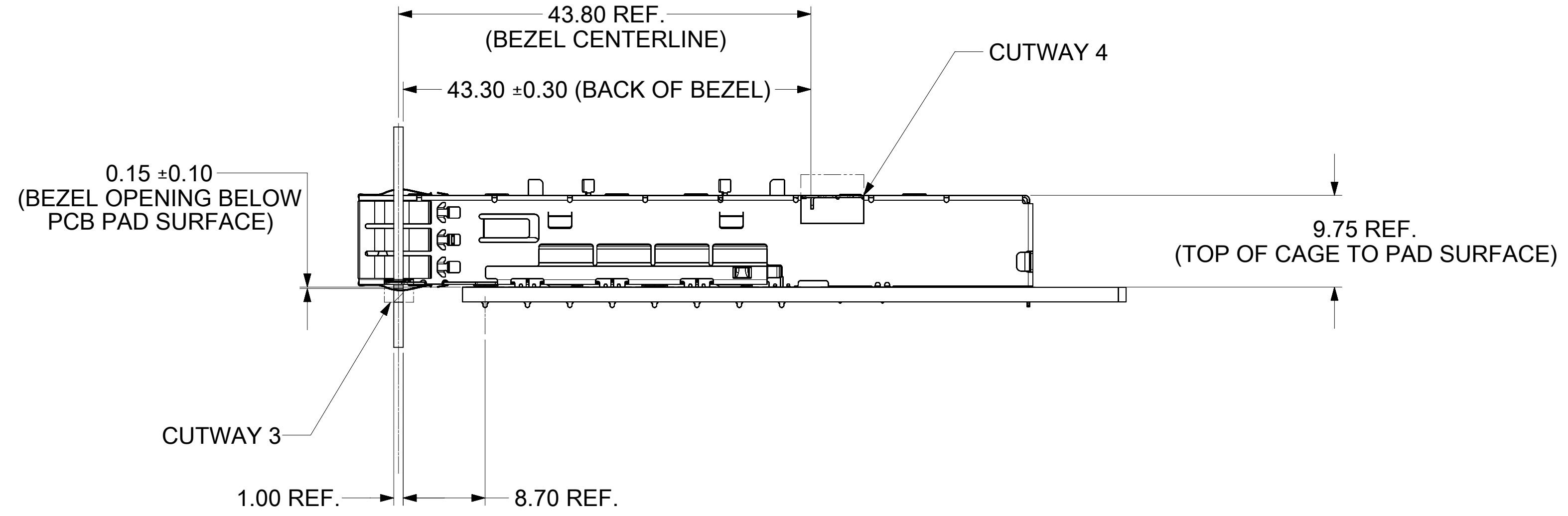
THIS DRAWING CONTAINS INFORMATION THAT IS PROPRIETARY TO MOLEX ELECTRONIC TECHNOLOGIES, LLC AND SHOULD NOT BE USED WITHOUT WRITTEN PERMISSION									
DIMENSION UNITS	SCALE	CURRENT REV DESC: SEE REVISION TABLE							
mm	4:1	<p>molex</p> <p>QSFP-DD 1X2 GANGED CAGE SF WITH FIN H/S OPTIONS</p> <p>PRODUCT CUSTOMER DRAWING</p> <p>DOCUMENT NUMBER: 2031523201 DOC TYPE: PSD DOC PART: ASY REVISION: A3</p> <p>EC NO: 717718 DRWN: MCHEN104 2022/08/05 CHK'D: THSU02 2022/08/15 APPR: SCHIEN 2022/08/16</p> <p>INITIAL REVISION: DRWN: JYEN01 2019/06/20 APPR: JCHIANG 2019/08/16</p> <p>DRAFT WHERE APPLICABLE MUST REMAIN WITHIN DIMENSIONS</p>							
GENERAL TOLERANCES (UNLESS SPECIFIED)									
ANGULAR TOL	± 2.0°								
4 PLACES	±								
3 PLACES	±								
2 PLACES	± 0.13								
1 PLACE	± 0.25								
0 PLACES	±	THIRD ANGLE PROJECTION	DRAWING	SERIES	MATERIAL NUMBER	CUSTOMER	SHEET NUMBER		
			D-SIZE	203152	SEE P/N TABLE	GENERAL MARKET	5 OF 7		

BEZEL AND BOARD POSITION DIMENSIONS
FOR BELLY TO BELLY MOUNTING
(REMOVE HEAT SINK AND CLIP FOR CLARITY)



NOTE:
1. PCB THICKNESS VARIATION MUST BE CONSIDERED WHEN DETERMINING BEZEL OPENING LOCATION.
2. THIS DIMENSION IS FOR REFERENCE ONLY. USER CAN MODIFY IT DEPENDS ON APPLICATION. (THIS DIMENSION VARIES BASED ON DISTANCE OF "HOLE OF ADJACENT CAGE" ON PCB LAYOUT.)

BEZEL AND BOARD POSITION DIMENSIONS
FOR SINGLE SIDE MOUNTING
(REMOVE HEAT SINK AND CLIP FOR CLARITY)



THIS DRAWING CONTAINS INFORMATION THAT IS PROPRIETARY TO MOLEX ELECTRONIC TECHNOLOGIES, LLC AND SHOULD NOT BE USED WITHOUT WRITTEN PERMISSION											
DIMENSION UNITS		SCALE		CURRENT REV DESC: SEE REVISION TABLE						molex	
mm		2.5:1									
GENERAL TOLERANCES (UNLESS SPECIFIED)				EC NO: 717718							
ANGULAR TOL ± 2.0°				4 PLACES ±				DRWN: MCHEN104 2022/08/05			
				3 PLACES ±				CHK'D: THSU02 2022/08/15			
				2 PLACES ± 0.13				APPR: SCHIEN 2022/08/16			
				1 PLACE ± 0.25				INITIAL REVISION:			
				0 PLACES ±				DRWN: JYEN01 2019/06/20			
				APPR: JCHIANG 2019/08/16				2031523201			
DRAFT WHERE APPLICABLE MUST REMAIN WITHIN DIMENSIONS				THIRD ANGLE PROJECTION		DRAWING		SERIES		MATERIAL NUMBER	
				D-SIZE		203152		SEE P/N TABLE		CUSTOMER	
						GENERAL MARKET		PSD ASY A3		REVISION	
								6 OF 7			

