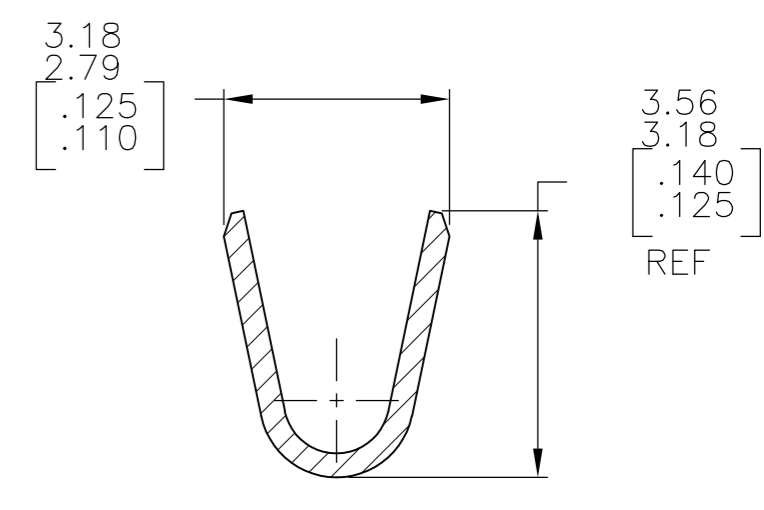
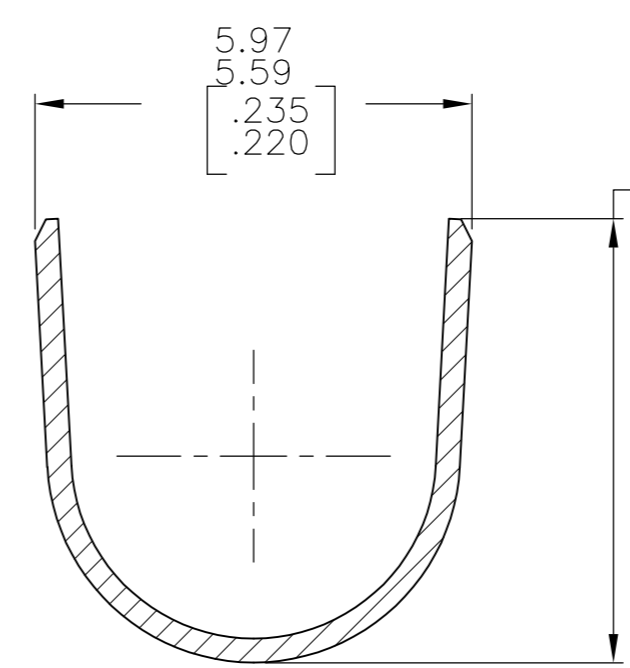
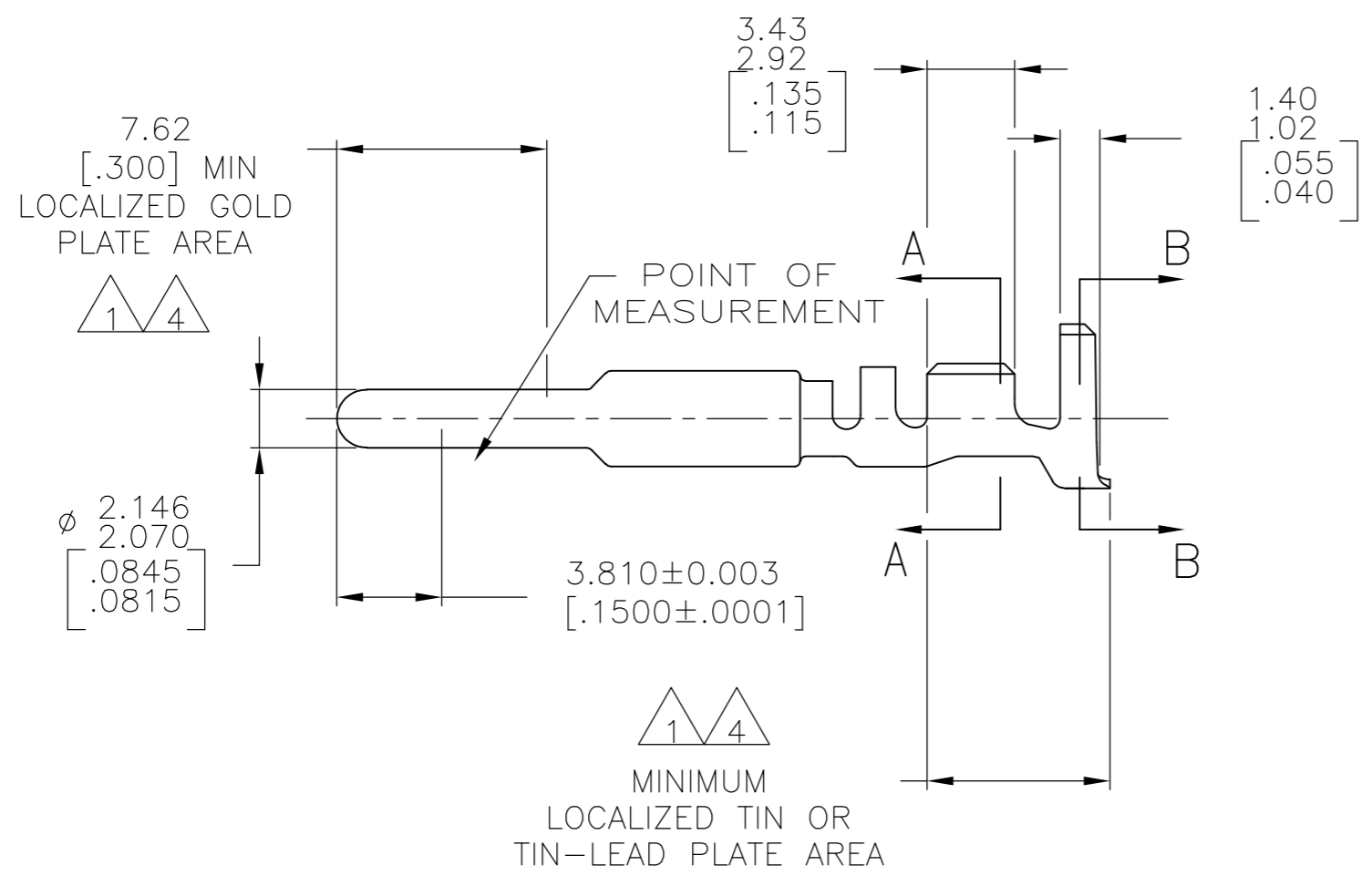
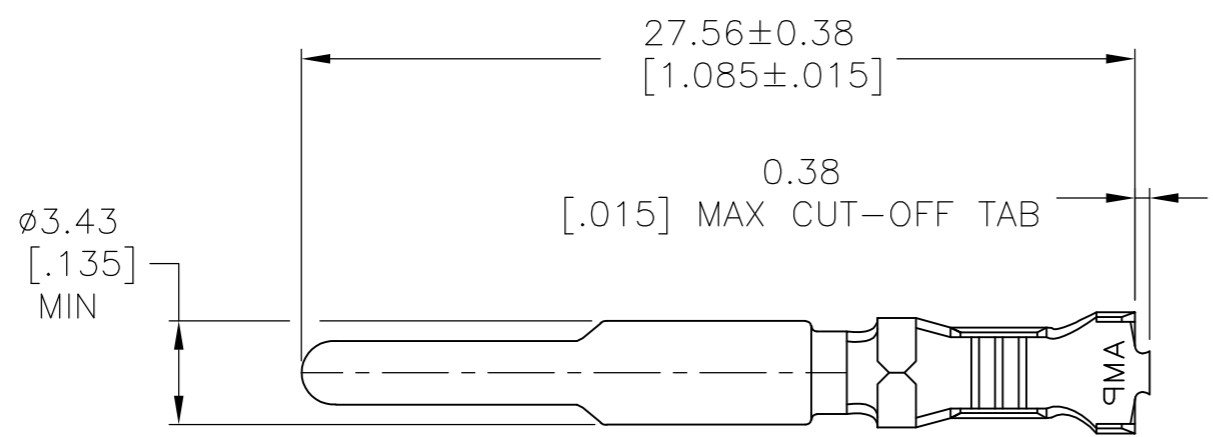


THIS DRAWING IS UNPUBLISHED. RELEASED FOR PUBLICATION
 © COPYRIGHT - By - ALL RIGHTS RESERVED.

LOC		DIST		REVISIONS			
P	LTR	DESCRIPTION		DATE	DWN	APVD	
CM	0	G		REVISED PER ECR-13-008204	10DEC2013	KH	TM



- 1 0.00076[.000030] MIN GOLD AT POINT OF MEASUREMENT IN THE LOCALIZED GOLD PLATE AREA, 0.00127[.000050] MIN TIN-LEAD IN THE TIN-LEAD PLATE AREA, 0.00127[.000050] MIN NICKEL UNDERPLATE ON ENTIRE CONTACT.
- 2 WIRE RANGE: 0.5-2mm² [20-14] AWG. INSULATION RANGE: 3.30-5.08[.130-.200] DIA.
- 3 DIMENSIONS IN BRACKETS ARE IN INCHES.
- 4 0.00076[.000030] MIN GOLD AT POINT OF MEASUREMENT IN THE LOCALIZED GOLD PLATE AREA, 0.00127[.000050] MIN TIN IN TIN PLATE AREA, 0.00127[.000050] MIN NICKEL UNDERPLATE ON ENTIRE CONTACT.
- 5 SUPERSEDED BY 1-770255-0

5	GOLD	4	0.30	[.012]	BRASS	1-770255-0
	GOLD	1	0.30	[.012]	BRASS	770255-2
	PRE-TIN		0.30	[.012]	BRASS	770255-1
	FINISH				MATERIAL	PART NO

THIS DRAWING IS A CONTROLLED DOCUMENT.		DWN	K. SALMON	23DEC92	TE TE Connectivity	
DIMENSIONS: mm [INCHES]		CHK	R. SWING	23DEC92		
TOLERANCES UNLESS OTHERWISE SPECIFIED:		APVD	M. TRULL	01APR93	NAME	
0 PLC	± -	PRODUCT SPEC	PIN, GROUNDING, LOOSE PIECE, UNIVERSAL MATE-N-LOK(TM) II			
1 PLC	± -	APPLICATION SPEC	-			
2 PLC	± -	WEIGHT	-			
3 PLC	± -	SCALE	A2 00779 C=770255			
4 PLC	± -	CUSTOMER DRAWING	SCALE 4:1 SHEET 1 OF 1 REV G			
ANGLES	± -					