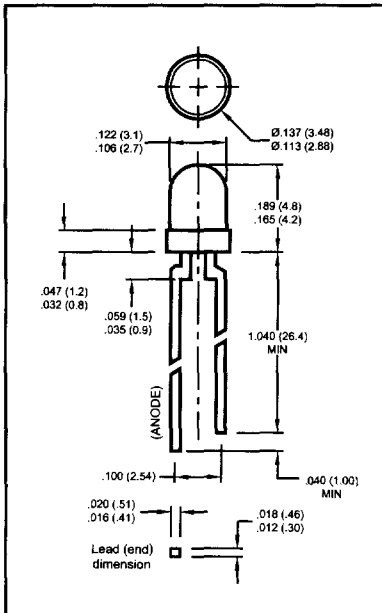


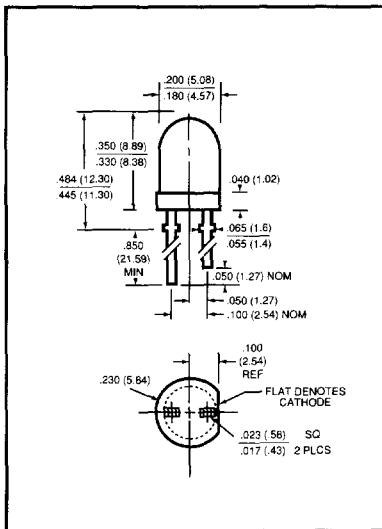
T-3/4 Square Base Integral Resistor Lamps

Part Number	Source Color	Wave-length λ_p (nm)	Lens Color	Typical Viewing Angle	Forward Current I_F (mA)		Luminous Intensity I_V (mcd)		Notes
					typ	max	min	typ	
HLMP-6600A		635	Red Diffused	50°	9.6	13.0	1.3	5.0	8
HLMP-6700A	Yellow	585	Yellow Diffused	50°	9.6	13.0	1.3	5.0	8
HLMP-6800A		565	Green Diffused	28°	9.6	13.0	1.3	5.0	8



T-100 Integral Resistor Lamps

Part Number	Source Color	Wave-length λ_p (nm)	Lens Color	Typical Viewing Angle	Forward Voltage V_F (mA)		Luminous Intensity I_V (mcd)		Notes
					typ	max	min	typ	
MR5060		660	Red Diffused	60°	13	20	0.8	1.5	8
MR5360	Yellow	585	Yellow Diffused	60°	10	15	1.5	4.0	8
MR5361		585	Yellow Diffused	60°	13	20	1.5	4.0	9
MR5460		565	Green Diffused	60°	12	15	1.5	4.0	8
MR5461		565	Green Diffused	60°	13	20	1.5	4.0	9
MR5660		660	White Diffused	60°	13	20	0.8	1.5	8
MR5760		635	Red Diffused	60°	10	15	1.5	4.0	8
MR5761		635	Red Diffused	60°	13	20	1.5	4.0	9



T-1 3/4 Integral Resistor Lamps

Part Number	Source Color	Wave-length λ_p (nm)	Lens Color	Typical Viewing Angle	Forward Voltage V_F (mA)		Luminous Intensity I_V (mcd)		Notes
					typ	max	min	typ	
MR3050		660	Red Diffused	60°	13	20	1.0	2.0	8
MR3051		660	Red Diffused	60°	13	20	1.0	2.0	9
MR3350	Yellow	585	Yellow Diffused	60°	10	15	1.5	4.0	8
MR3351		585	Yellow Diffused	60°	13	20	1.5	4.0	9
MR3450		565	Green Diffused	60°	12	15	1.5	4.0	8
MR3451		565	Green Diffused	60°	13	20	1.5	4.0	9
MR3750		635	Red Diffused	60°	10	15	1.5	4.0	8
MR3751		585	Red Diffused	60°	13	20	1.5	4.0	9

Notes:

4. V_F & I_V @ $I_F = 20$ mA.
 8. I_F & I_V @ $V_F = 5$ V.
 9. I_F & I_V @ $V_F = 12$ V.
- HER = High Efficiency Red.