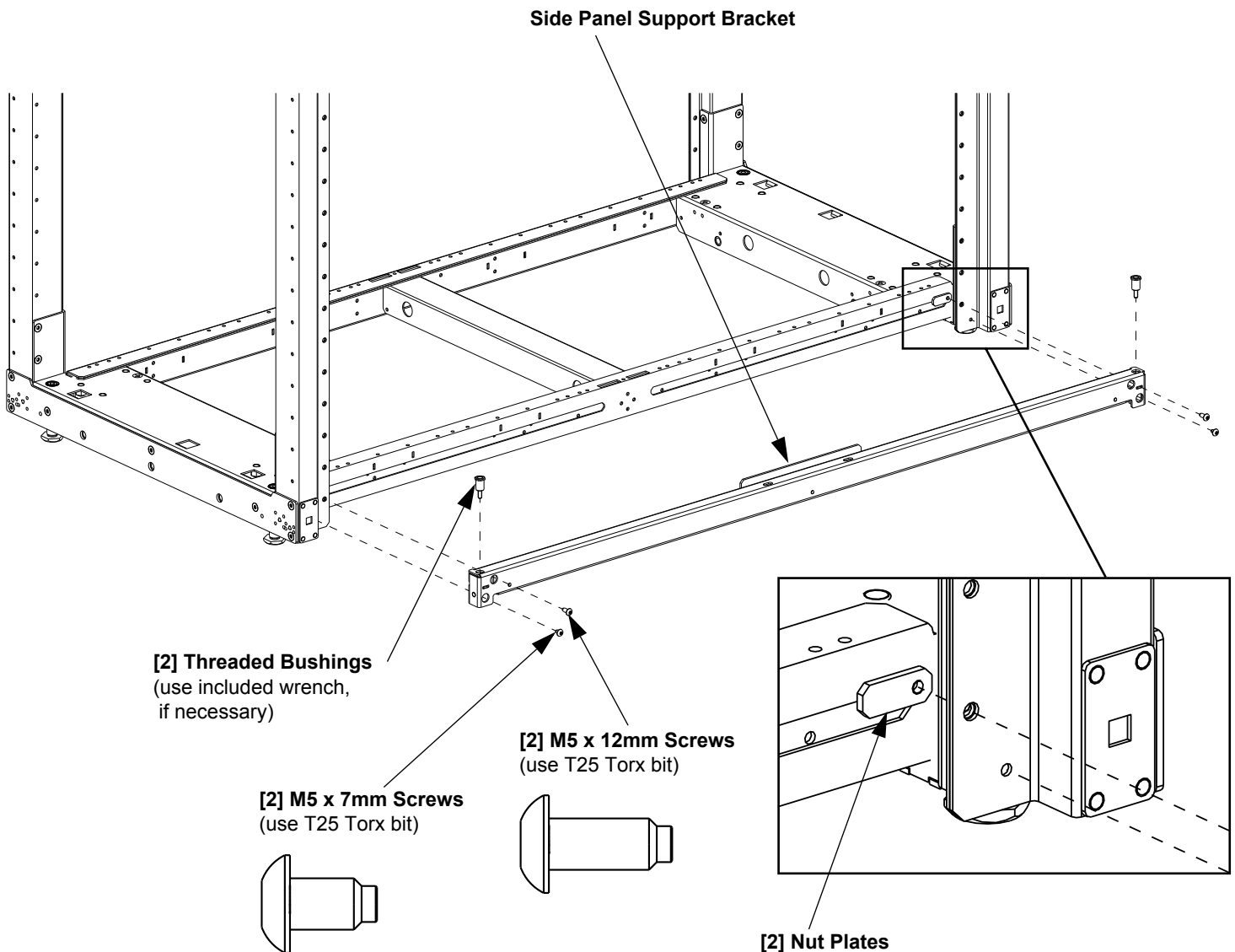


### INSTRUCTIONS V00029CC

© Panduit Corp. 2014

## Side Panel Support Bracket Installation

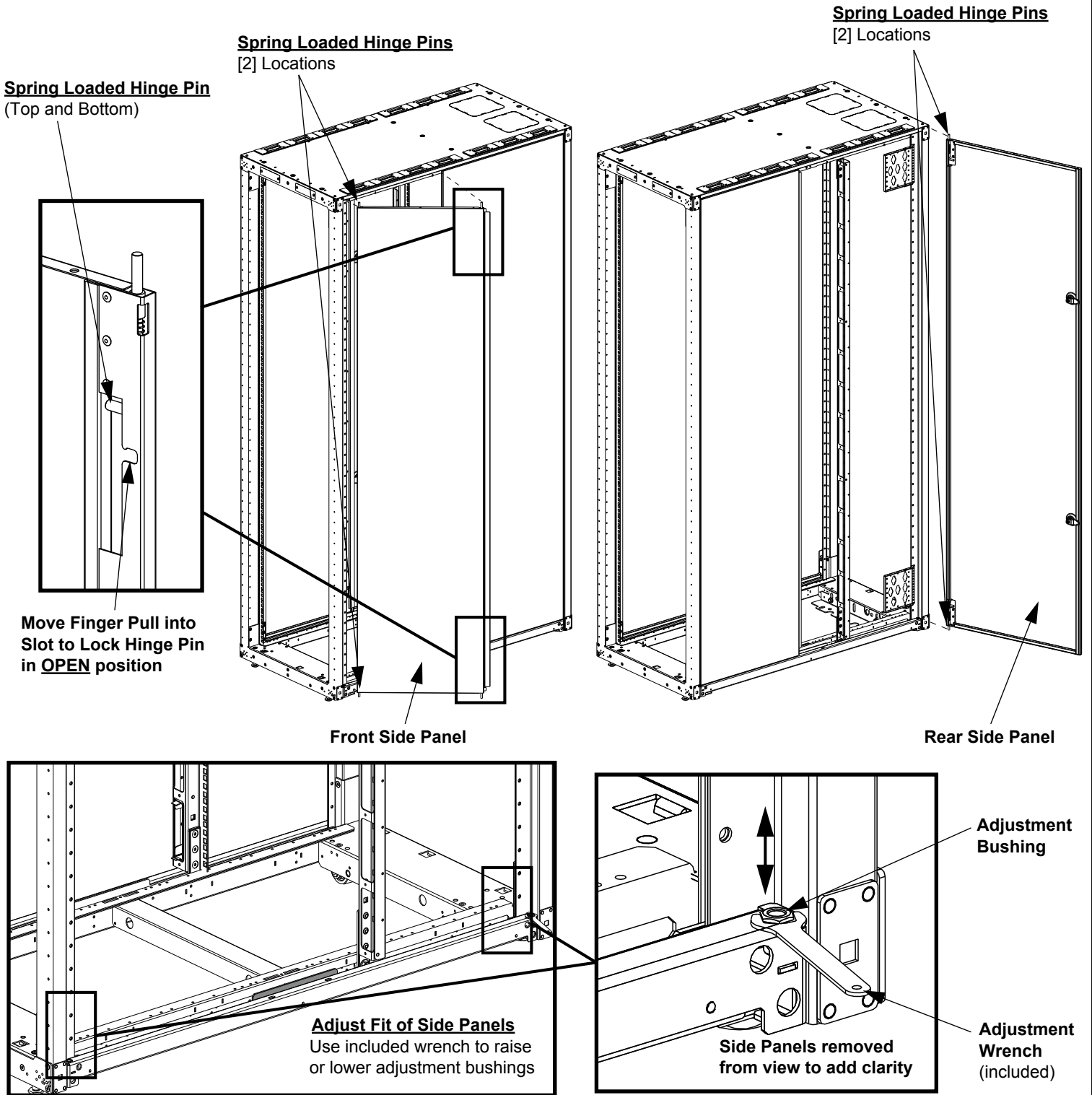
- Insert [2] Threaded Bushings into Side Panel Support Bracket --- use included wrench to tighten bushings *(if necessary)*
- Secure Side Panel Support Bracket to cabinet frame with [4] M5 Torx Screws
  - [2] M5 X 12mm Torx screws secure to [2] Nut Plates positioned on inside of cabinet frame
  - [2] M5 X 7mm Torx screws secure Side Panel Support Bracket directly to cabinet frame



## Side Panels (Removal/Installation and Adjustment - optional)

- Pull and release [4] Spring Loaded Hinge Pins to install Front Side Panel onto cabinet frame
- Pull and release [2] Spring Loaded Hinge Pins to install Rear Side Panel onto cabinet frame
- Close rear side panel and set both locks to LOCKED position

**REVERSE STEPS** to remove In-Row Side Panels



For Instructions in Local Languages  
and Technical Support:

[www.panduit.com/resources/install\\_maintain.asp](http://www.panduit.com/resources/install_maintain.asp)

**PANDUIT**  
[www.panduit.com](http://www.panduit.com)

E-mail:  
[techsupport@panduit.com](mailto:techsupport@panduit.com)  
Phone:  
866-405-6654