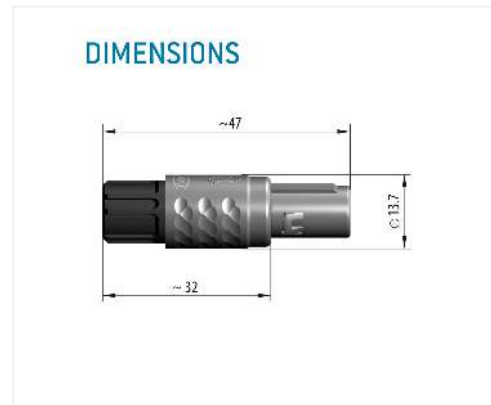
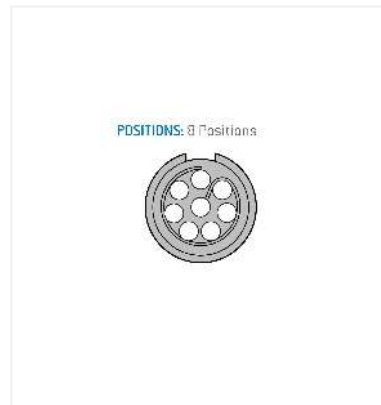


General information

Part number	S11M07-P08PFG0-5270
Termination	crimp
Size	1
Locking principle	push
Coding	0 key
Cable Diameter	cable medi 52
Cable outlet	standard



Contact insert description

Number of contacts	8
Contact type	pins
Contact diameter	07mm
Insulator material	peek
Wire cross section	22-26 awg
Termination	crimp

reverse_gender_on_request

Technical information

Max. creepage and air clearance distance	04 mm	
Nominal current single contact	075 a	iec_60512_5_2
Nominal current insert	4,875 A	vde_0298_4
Test voltage	12 kv_dc	sae_13441

safety_text

Mechanical and environmental data

Degree of protection*	ip50
Operating temperature	50_120_c
Mating cycles	2000

mated_unmated

Insulator materials MEDI-SNAP®

psu_peek

Material and surface treatments

Housing	psu_gray
Color option	gray
Contact	cu_alloy_gold

safety_text_2
ul_text
illustrative_text