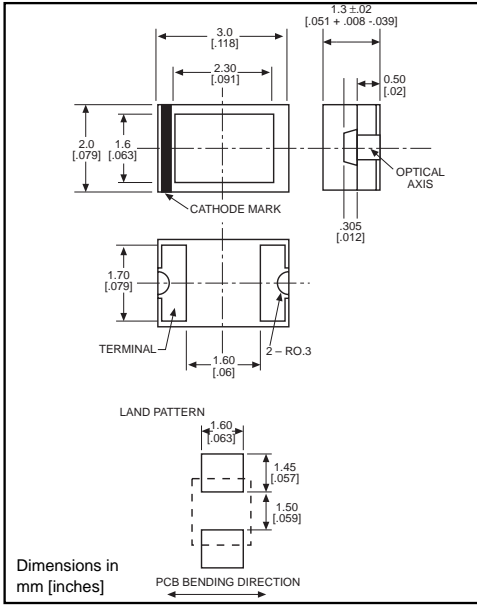




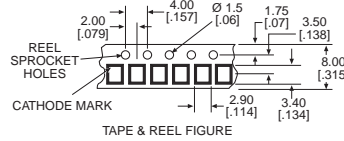
Surface Mount LED

Dialight

597-3xx1-5xx



TAPING SPECIFICATIONS



PART NO.*	COLOR
597-3021-5xx	Red
597-3111-5xx	AlGaAs Red
597-3211-5xx	Orange
597-3301-5xx	Green
597-3401-5xx	Yellow

Features

- Compatible with automatic placement equipment
- Compatible with infrared reflow processes
- Packaged on 8mm tape, 7" reels (meets EIA-481-1 standard)
- Helps to eliminate mixed technology PC board processing
- Compatible with Dialight's Optopipe™ Series light pipes

*ORDERING INFORMATION

597-3xx1-5xx

packaging option

02	20 pieces on tape
07	7" reel, 2500 pcs/reel

ABSOLUTE MAXIMUM RATINGS (T_A=25°C)

	Red -3021	AlGaAs Red -3111	Orange -3211	Green -3301	Yellow -3401
Power Dissipation (mW)	70	75	70	70	70
Forward Current (mA)	25	30	25	25	25
Derating (mA/°C) Above 25°C	.42	.42	.42	.42	.42
Peak Current (mA)	60	75	60	60	60
Pulse width = 1 ms					
Operating Temperature (°C)	-30/+85	-30/+85	-30/+85	-30/+85	-30/+85
Storage Temperature (°C)	-40/+85	-40/+85	-40/+85	-40/+85	-40/+85
Soldering Profile	240°C peak, max 10 seconds				

Solder Adherence per MIL-STD-202E, Method 208C

OPERATING CHARACTERISTICS (T_A=25°C)

	Red -3021	AlGaAs Red -3111	Orange -3211	Green -3301	Yellow -3401
Luminous Intensity (mcd)	Min. 2.2	5.6	3.6	5.6	2.2
I _F =20mA	Typical 6.3	16	10	16	6.3
Peak Wavelength (nm)	Typical 650	660	610	563	585
λ Peak					
Viewing Angle (2θ ½)	Typical 104°	104°	104°	104°	104°
Forward Voltage (V)	Typical 2	1.75	2	2.2	2.1
I _F =20mA	Max. 2.8	2.5	2.8	2.8	2.8
Reverse Current (∞A)	Max 100	100	100	100	100
(V _R = 4V)					

θ ½ is the off axis angle at which the luminous intensity is half the axial luminous intensity