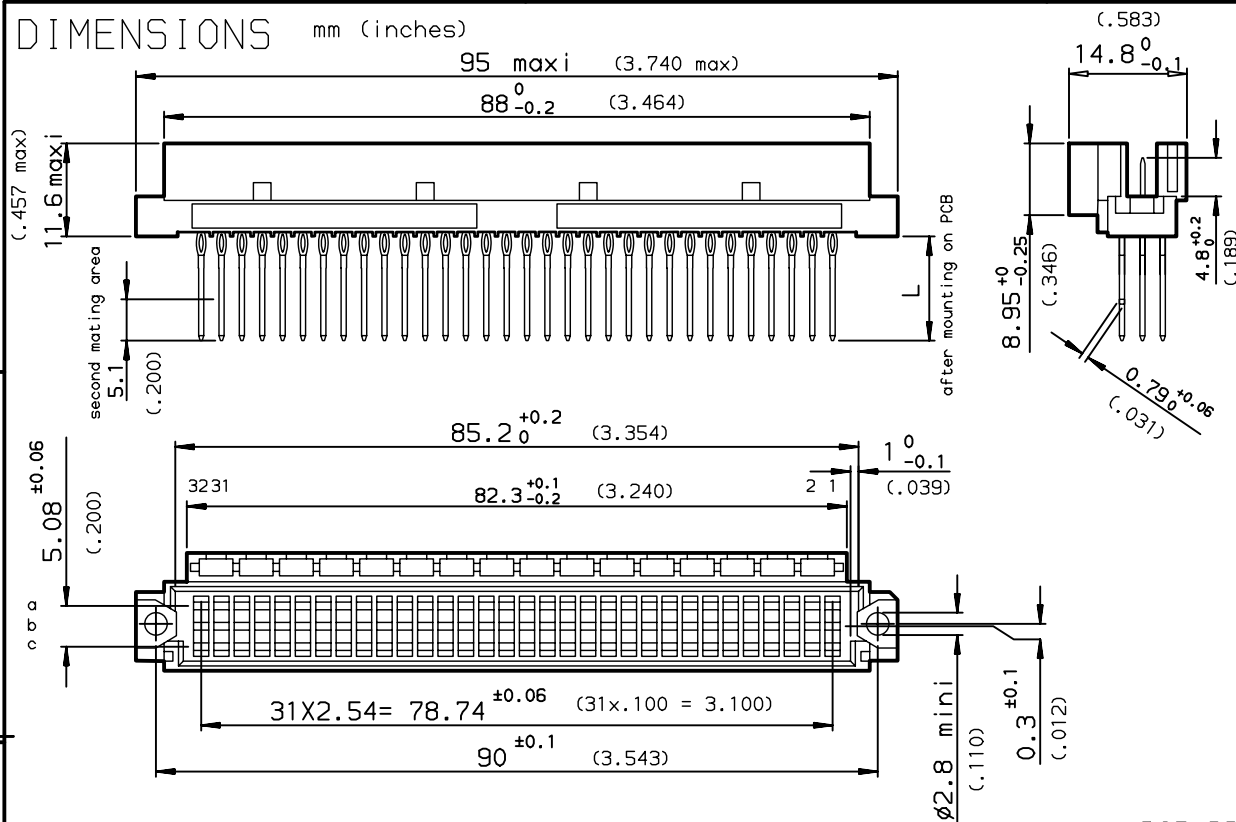
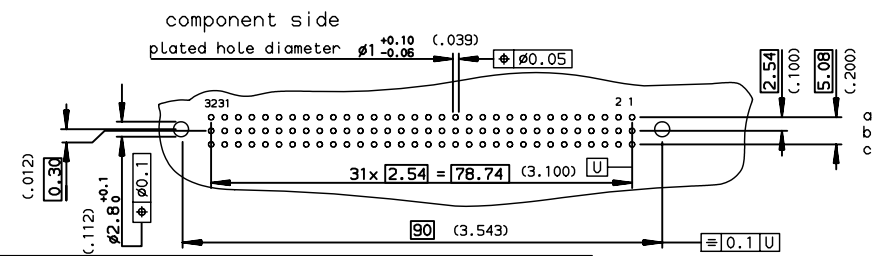


DIMENSIONS mm (inches)



|                        |      |                        |    |   |     |
|------------------------|------|------------------------|----|---|-----|
| PART NUMBER            | 8609 |                        | 08 | 7 | 5   |
| PIN OUT                |      |                        |    |   |     |
| rows a-b-c             |      | 3                      | 96 |   |     |
| rows a-c               |      | 4                      | 64 |   |     |
| NUMBER OF CONTACTS     |      |                        |    |   |     |
| TERMINATION            |      |                        |    |   |     |
| L = 13.25 ±0.25 (.521) |      | near plug up           |    |   | 96  |
| L = 17.25 ±0.25 (.679) |      | near plug up + 1 wrap  |    |   | 97  |
| L = 20.95 ±0.25 (.825) |      | near plug up + 2 wraps |    |   | 98  |
| PERFORMANCE CLASS      |      |                        |    |   |     |
| DIN 41612 class 3      |      |                        |    |   | 4   |
| DIN 41612 class 2      |      |                        |    |   |     |
| DIN 41612 class 1      |      |                        |    |   |     |
| TERMINATION TYPE       |      |                        |    |   |     |
| TIN LEAD               |      |                        |    |   | 000 |
| LEAD FREE              |      |                        |    |   | LF  |

PCB DRILLING



GENERAL CHARACTERISTICS AND ROHS INFORMATIONS:

SEE DRAWING C-8609-0000C

European Views

|                                       |                     |                                   |                  |
|---------------------------------------|---------------------|-----------------------------------|------------------|
| www.fciconnect.com                    | surface<br>ISO 1302 | tolerance std<br>ISO 406 ISO 1101 | projection<br>mm |
| TOLERANCES UNLESS OTHERWISE SPECIFIED |                     |                                   |                  |
| Dr ROUILLARD 1996/09/04               | ANGULAR             | 0.X ±0.1                          | size A3          |
| Eng TARON 1996/09/04                  | LINEAR              | 0.XX ±0.1                         | Scale 1.5        |
| Chr LEGARE 1996/09/04                 | 0.XX' ±2'           | 0.XXX ±0.1                        | ECN LS06-0095    |
| Appr LEGARE 1996/09/04                | Product family      | DIN 8609                          | Spec ref -       |

|            |                                    |                       |
|------------|------------------------------------|-----------------------|
| FCI        | title<br>STRAIGHT MALE - STYLE R   | Rev.<br>F             |
|            | PRESS FIT REAR PLUG UP WITH KEYING |                       |
| catalog no | dwg no<br>C-8609-0522              | CUSTOMER sheet 1 of 1 |

| rev | ech no    | dr  | date       |
|-----|-----------|-----|------------|
| D   | -         | ROU | 1997/11/05 |
| E   | LS05-004  | JTA | 2005/02/28 |
| F   | LS06-0095 | LGO | 2006/07/12 |
| -   | -         | -   | -          |
| -   | -         | -   | -          |
| -   | -         | -   | -          |



Copyright FCI.