

ES1F-ES1J

Fast Rectifiers

Features

- For Surface Mount Applications
- Glass Passivated Junction
- Low Profile Package
- Easy Pick and Place
- Built-in Strain Relief
- Superfast Recovery Times for High Efficiency

ABSOLUTE MAXIMUM RATINGS ($T_A = 25^\circ\text{C}$ unless otherwise noted)

| Symbol | Parameter | Value | | | | Unit |
|-------------|--|------------|------|------|------|------------------|
| | | ES1F | ES1G | ES1H | ES1J | |
| V_{RRM} | Maximum Repetitive Reverse Voltage | 300 | 400 | 500 | 600 | V |
| $I_{F(AV)}$ | Average Rectified Forward Current | 1.0 | | | | A |
| I_{FSM} | Non-repetitive Peak Forward Surge Current 8.3 ms Single Half-Sine-Wave (JEDEC method) | 30 | | | | A |
| T_J | Junction Temperature | 150 | | | | $^\circ\text{C}$ |
| T_{STG} | Storage Temperature Range | -55 to 150 | | | | $^\circ\text{C}$ |
| P_D | Power Dissipation | 1.47 | | | | W |

Stresses exceeding those listed in the Maximum Ratings table may damage the device. If any of these limits are exceeded, device functionality should not be assumed, damage may occur and reliability may be affected.

THERMAL CHARACTERISTICS

| Symbol | Characteristics | Value | Unit |
|-----------------|--|-------|---------------------------|
| $R_{\theta JA}$ | Thermal Resistance, Junction to Ambient (Note 1) | 85 | $^\circ\text{C}/\text{W}$ |
| $R_{\theta JL}$ | Thermal Resistance, Junction to Lead (Note 1) | 35 | $^\circ\text{C}/\text{W}$ |

1. P. C. B mounted on $0.2'' \times 0.2''$ (5×5 mm) copper Pad Area.

ELECTRICAL CHARACTERISTICS ($T_C = 25^\circ\text{C}$, unless otherwise noted)

| Symbol | Characteristics | Value | | | | Unit |
|----------|--|------------|------|------|------|---------------|
| | | ES1F | ES1G | ES1H | ES1J | |
| V_F | Maximum Forward Voltage @ $I_F = 1.0$ A | 1.3 | | 1.7 | | V |
| T_{rr} | Maximum Reverse Recovery Time, $I_F = 0.5$ A, $I_R = 1.0$ A, $I_{RR} = 0.25$ A | 35 | | | | ns |
| I_R | Maximum Reverse Current @ rated V_R $T_A = 25^\circ\text{C}$ $T_A = 100^\circ\text{C}$ | 5.0 100 | | | | μA |
| C_j | Typical Junction Capacitance, $V_R = 4.0$ V, $f = 1.0$ MHz | 10.0 | | 8.0 | | pF |

Product parametric performance is indicated in the Electrical Characteristics for the listed test conditions, unless otherwise noted. Product performance may not be indicated by the Electrical Characteristics if operated under different conditions.



ON Semiconductor®

www.onsemi.com



SMA (DO-214AC)
Color Band Denotes Cathode
CASE 403AE

ORDERING INFORMATION

| Device | Package | Shipping† |
|--------|---------------|--------------------|
| ES1F | SMA (Pb-Free) | 7500 / Tape & Reel |
| ES1G | SMA (Pb-Free) | 7500 / Tape & Reel |
| ES1H | SMA (Pb-Free) | 7500 / Tape & Reel |
| ES1J | SMA (Pb-Free) | 7500 / Tape & Reel |

†For information on tape and reel specifications, including part orientation and tape sizes, please refer to our Tape and Reel Packaging Specification Brochure, [BRD8011/D](#).

ES1F-ES1J

TYPICAL PERFORMANCE CHARACTERISTICS

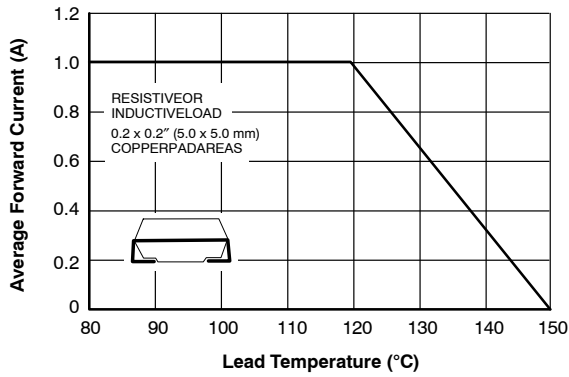


Figure 1. Maximum Forward Current Derating Curve

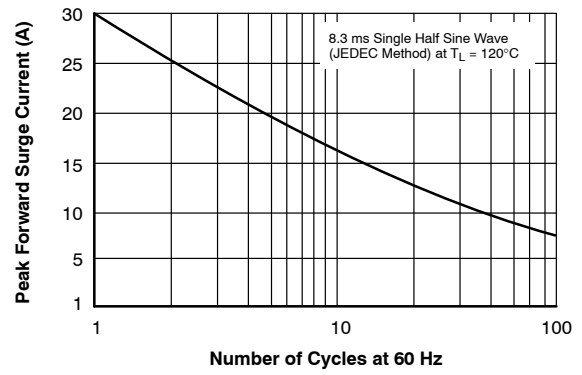


Figure 2. Maximum Non-repetitive Peak Forward Surge Current

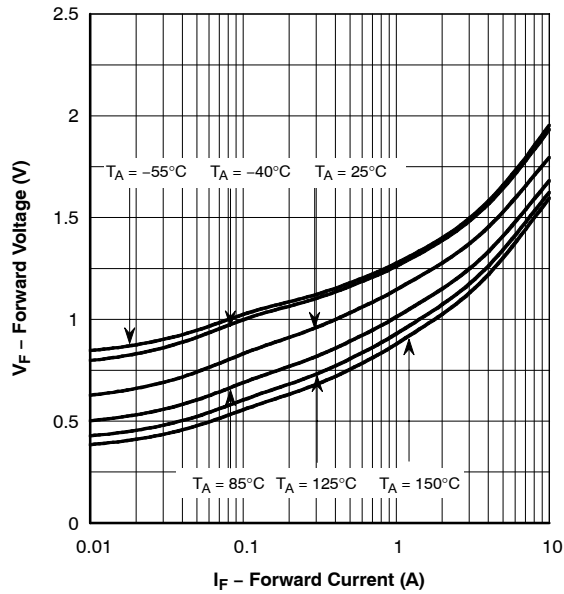


Figure 3. Forward Current vs. Forward Voltage

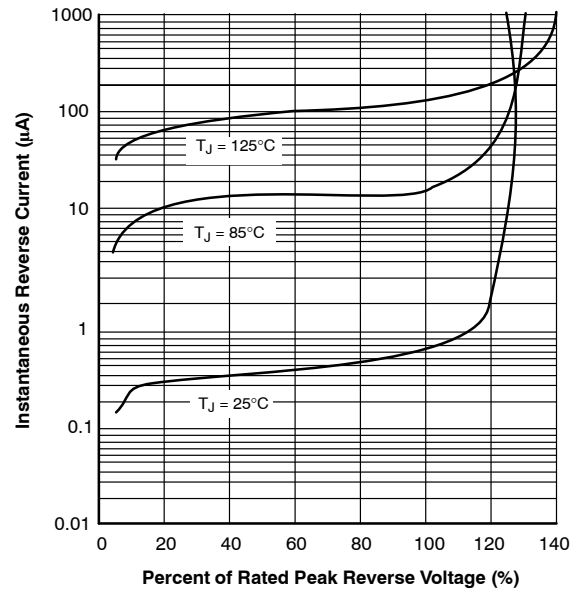


Figure 4. Typical Reverse Characteristics

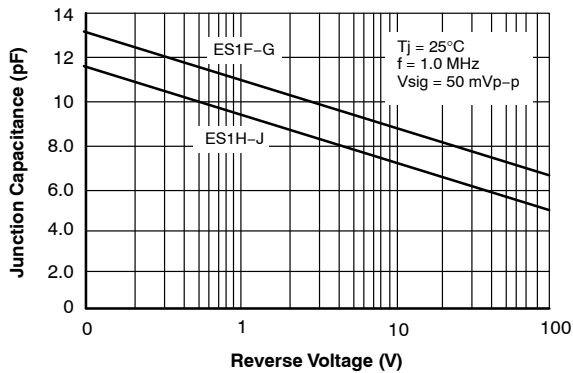
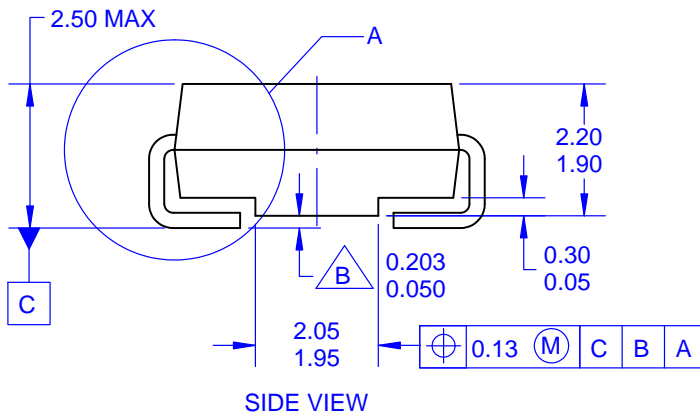
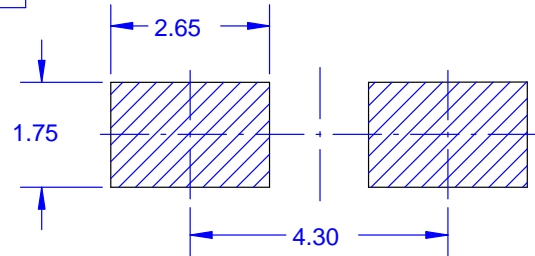
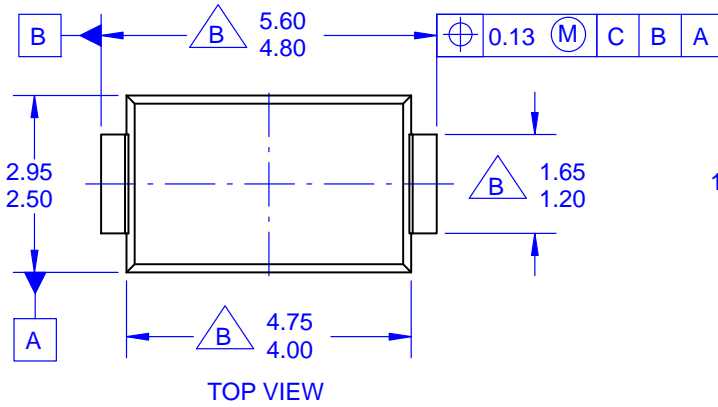


Figure 5. Typical Junction Capacitance

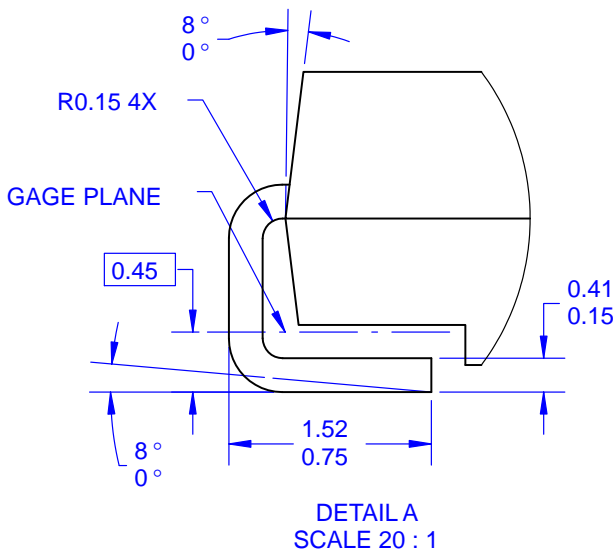
SMA
CASE 403AE
ISSUE O

DATE 31 AUG 2016




NOTES:

- A. EXCEPT WHERE NOTED, CONFORMS TO JEDEC DO214 VARIATION AC.
- B. DOES NOT COMPLY JEDEC STANDARD VALUE.
- C. ALL DIMENSIONS ARE IN MILLIMETERS.
- D. DIMENSIONS ARE EXCLUSIVE OF BURRS, MOLD FLASH AND TIE BAR PROTRUSIONS.
- E. DIMENSIONS AND TOLERANCE AS PER ASME Y14.5-2009.
- E. LAND PATTERN STD. DIOM5025X231M



| | | |
|-------------------------|----------------------------------|--|
| DOCUMENT NUMBER: | 98AON13440G | Electronic versions are uncontrolled except when accessed directly from the Document Repository. Printed versions are uncontrolled except when stamped "CONTROLLED COPY" in red. |
| STATUS: | ON SEMICONDUCTOR STANDARD | |
| NEW STANDARD: | | |
| DESCRIPTION: | SMA | PAGE 1 OF 2 |

ON Semiconductor and  are trademarks of Semiconductor Components Industries, LLC dba ON Semiconductor or its subsidiaries in the United States and/or other countries. ON Semiconductor owns the rights to a number of patents, trademarks, copyrights, trade secrets, and other intellectual property. A listing of ON Semiconductor's product/patent coverage may be accessed at www.onsemi.com/site/pdf/Patent-Marking.pdf. ON Semiconductor reserves the right to make changes without further notice to any products herein. ON Semiconductor makes no warranty, representation or guarantee regarding the suitability of its products for any particular purpose, nor does ON Semiconductor assume any liability arising out of the application or use of any product or circuit, and specifically disclaims any and all liability, including without limitation special, consequential or incidental damages. Buyer is responsible for its products and applications using ON Semiconductor products, including compliance with all laws, regulations and safety requirements or standards, regardless of any support or applications information provided by ON Semiconductor. "Typical" parameters which may be provided in ON Semiconductor data sheets and/or specifications can and do vary in different applications and actual performance may vary over time. All operating parameters, including "Typicals" must be validated for each customer application by customer's technical experts. ON Semiconductor does not convey any license under its patent rights nor the rights of others. ON Semiconductor products are not designed, intended, or authorized for use as a critical component in life support systems or any FDA Class 3 medical devices or medical devices with a same or similar classification in a foreign jurisdiction or any devices intended for implantation in the human body. Should Buyer purchase or use ON Semiconductor products for any such unintended or unauthorized application, Buyer shall indemnify and hold ON Semiconductor and its officers, employees, subsidiaries, affiliates, and distributors harmless against all claims, costs, damages, and expenses, and reasonable attorney fees arising out of, directly or indirectly, any claim of personal injury or death associated with such unintended or unauthorized use, even if such claim alleges that ON Semiconductor was negligent regarding the design or manufacture of the part. ON Semiconductor is an Equal Opportunity/Affirmative Action Employer. This literature is subject to all applicable copyright laws and is not for resale in any manner.

PUBLICATION ORDERING INFORMATION

LITERATURE FULFILLMENT:

Literature Distribution Center for ON Semiconductor
19521 E. 32nd Pkwy, Aurora, Colorado 80011 USA
Phone: 303-675-2175 or 800-344-3860 Toll Free USA/Canada
Fax: 303-675-2176 or 800-344-3867 Toll Free USA/Canada
Email: orderlit@onsemi.com

N. American Technical Support: 800-282-9855 Toll Free
USA/Canada
Europe, Middle East and Africa Technical Support:
Phone: 421 33 790 2910

ON Semiconductor Website: www.onsemi.com

Order Literature: <http://www.onsemi.com/orderlit>

For additional information, please contact your local
Sales Representative