

MATERIAL

Stainless steel, shotblasted and semi-matte surface obtained by electropolishing.

STANDARD EXECUTION

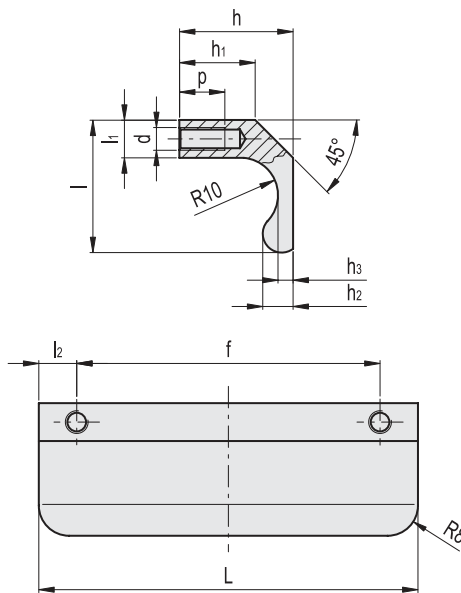
Threaded blind holes.

SPECIAL EXECUTIONS ON REQUEST

Different lengths.



- 1
- 2
- 3
- 4
- 5
- 6
- 7
- 8
- 9
- 10
- 11
- 12
- 13
- 14
- 15
- 16
- 17
- 18



Conversion Table
1 mm = 0.039 inch

L	
mm	inch
80	3.15
100	3.94
120	4.72
150	5.91

Code	f	d	p	L	h	l	l1	l2	h1	h2	h3	⚖️
RHEL-35.060.36	60	M6	12	80	30	35	10	10	20	8	4	248
RHEL-35.080.36	80	M6	12	100	30	35	10	10	20	8	4	313
RHEL-35.100.36	100	M6	12	120	30	35	10	10	20	8	4	376
RHEL-35.130.36	130	M6	12	150	30	35	10	10	20	8	4	467