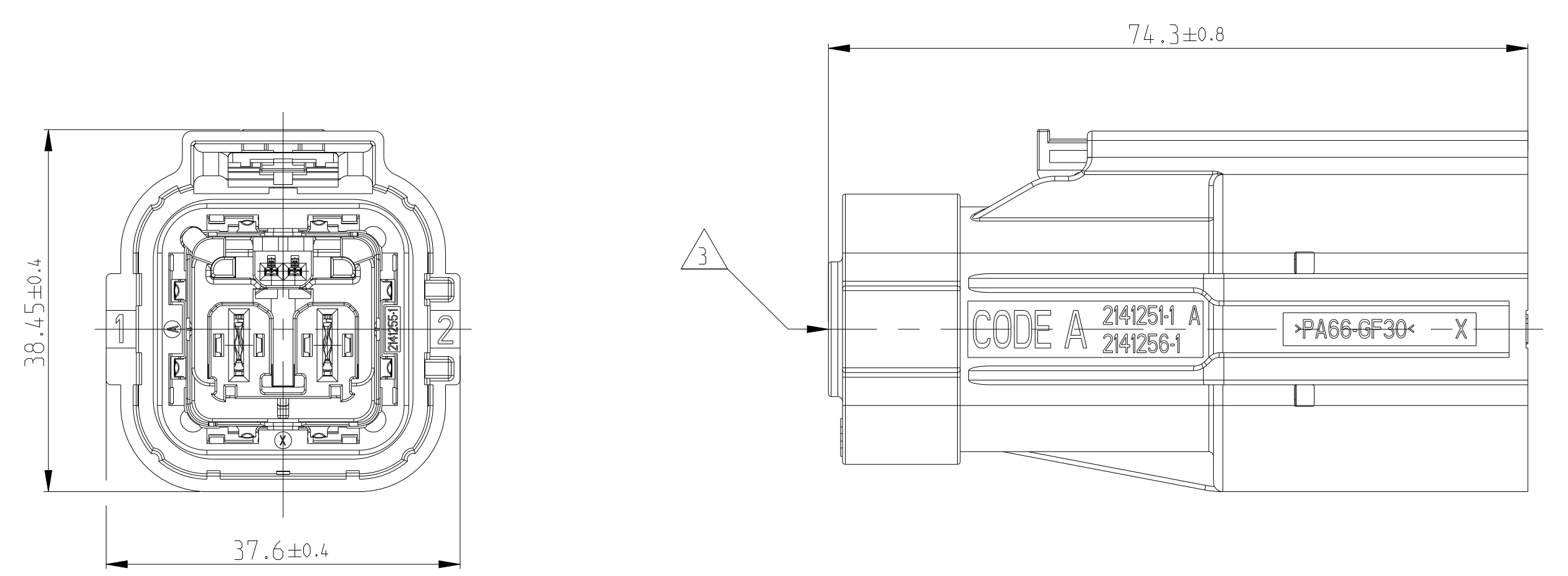


ASSEMBLED CONDITION (ILLUSTRATION WITHOUT CABLE)
Zusammengebauter Zustand (Darstellung ohne Leitung)



- 1 THE GERMAN TEXT IS BINDING
Der deutsche Text ist verbindlich
- 2 ASSEMBLED NOT FOR SALE. DESCRIBES ONLY
THE DELIVERY AMOUNT AND THE MOUNTING STATE WITHOUT CABLE
Zusammengebaut kein Verkaufsteil, stellt einzig den
Lieferumfang und den Montagezustand ohne Leitung dar
- 3 MIN. BENDING RADIUS OF CABLE
ACCORDING TO SPECIFICATION OF CABLE SUPPLIER.
Min. Leitungs-Biegeradius gemäss
Leitungsspezifikation des Herstellers.
- 4 ADAPTIVE CABLES SEE SPECIFICATION 114-94.100
Anwendbare Leitungen siehe Verarbeitungsspezifikation 114-94.100

ITEM	COMPONENT PN	DESCRIPTION	MATERIAL	COLOUR/SURFACE	QTY / Anzahl																	
					2	2	2	2	2	2	2	2	2	2	2	2						
8	2-1241408-3	AMP MCP 6,3/4,8	CuNiSi	SEL. Ag PLATED	2	2	2	2	2	2	2	2	2	2	2	2	2	2	2	2	2	
7	1-2141261-1	SHIELD CRIMP FERRULE, INNER	STAINLESS STEEL	BLANK	1	1	1	1	1	1	1	1	1	1	1	1	1	1	1	1	1	
6	1-2141263-4	SHIELD CRIMP FERRULE, OUTSIDE	STAINLESS STEEL	BLANK	-	-	-	-	1	1	1	1	-	-	-	-	-	-	-	-	-	
	1-2141263-3	SHIELD CRIMP FERRULE, OUTSIDE	STAINLESS STEEL	BLANK	1	1	1	1	-	-	-	-	-	-	-	-	-	-	-	-	-	
5	2141264-4	SINGLE WIRE SEAL	SILICON	YELLOW	-	-	-	-	1	1	1	1	1	1	1	1	1	1	1	1	1	
	2141264-3	SINGLE WIRE SEAL	SILICON	BLUE	1	1	1	1	-	-	-	-	-	-	-	-	-	-	-	-	-	
4	2141265-4	COVER	PA6(GF+GB)30	ORANGE	-	-	-	-	1	1	1	1	1	1	1	1	1	1	1	1	1	
	2141265-3	COVER	PA6(GF+GB)30	ORANGE	1	1	1	1	-	-	-	-	-	-	-	-	-	-	-	-	-	
3	2141262-3	SHIELDING, EMC	CuNiSi	SEL. Ag PLATED	2	2	2	2	2	2	2	2	2	2	2	2	2	2	2	2	2	
2	2141259-1	2POS. MIXED, REC HSG. ASSY	PA66-GF30	BLACK	1	1	1	1	1	1	1	1	1	1	1	1	1	1	1	1	1	
1	1-2141256-6	2POS REC HSG. ASSY. COD F	PA66-GF30, PA6-(GB+GF)30 and SILICON E2	HSG ORANGE CPA RED	-	-	-	-	-	-	-	-	-	-	-	-	-	-	-	-	-	
	1-2141256-1	2POS REC HSG. ASSY. COD A		-	-	1	-	-	-	-	1	-	-	-	-	-	-	-	-	-	-	
	2141256-6	2POS REC HSG. ASSY. COD F		HSG ORANGE CPA BROWN	-	1	-	-	-	-	1	-	-	-	-	-	-	-	-	-	-	-
	2141256-1	2POS REC HSG. ASSY. COD A		HSG ORANGE CPA BLACK	1	-	-	-	-	1	-	-	-	-	-	-	-	-	-	-	-	-
			CRIMPING TOOL NO.	528041-9			1-528041-0															
			WIRE ISOLATION DIAMETER [mm]	10.7 - 11.3			12.2 - 12.8															
VARIANT (TE KIT NUMBER)			2x4mm 2 COD.A (2287490-1)						2x6mm 2 COD.A (1-2287490-1)			2x6mm 2 COD.F (1-2287490-6)										
			2x4mm 2 COD.F (2287490-6)																			

PRODUCT CHARACTERISTICS ACC. QMP_EMEA_012 BESONDERE MERKMALE NACH QMP_EMEA_012	TOLERANCING ISO 8015 TOLERIERUNG ISO 8015	DATE: 07DEC 2014	APPD: 07DEC 2014	REV: 1	SCALE: 2:1	SHEET: 1 of 1	REV: E2
DIMENSIONS AND TOLERANCING PER GPS ISO STANDARDS MESSGRÖßEN UND TOLERANZEN GEMÄSS GPS ISO STANDARDS							
THIS DRAWING IS A CONTROLLED DOCUMENT. DIESER ZEICHNUNG IST EIN KONTROLLIERTES DOKUMENT.							
DRAWN BY: C. Schwan				DATE: 07DEC 2014			
CHECKED BY: F. Willenbrink				DATE: 07DEC 2014			
DESIGNED BY: J. Kettler				DATE: 07DEC 2014			
ENGINEER: J. Kettler				DATE: 07DEC 2014			
APPD: 07DEC 2014							
PART NUMBER: 24254-1							
DESCRIPTION: 2POS. MCP 6.3, PLUG HSG. HVA630 KIT HV CONNECTOR							
MATERIAL: PA66-GF30							
FINISH: HSG ORANGE							
WEIGHT: 57g							
SEE TABLE							
CUSTOMER DRAWING							