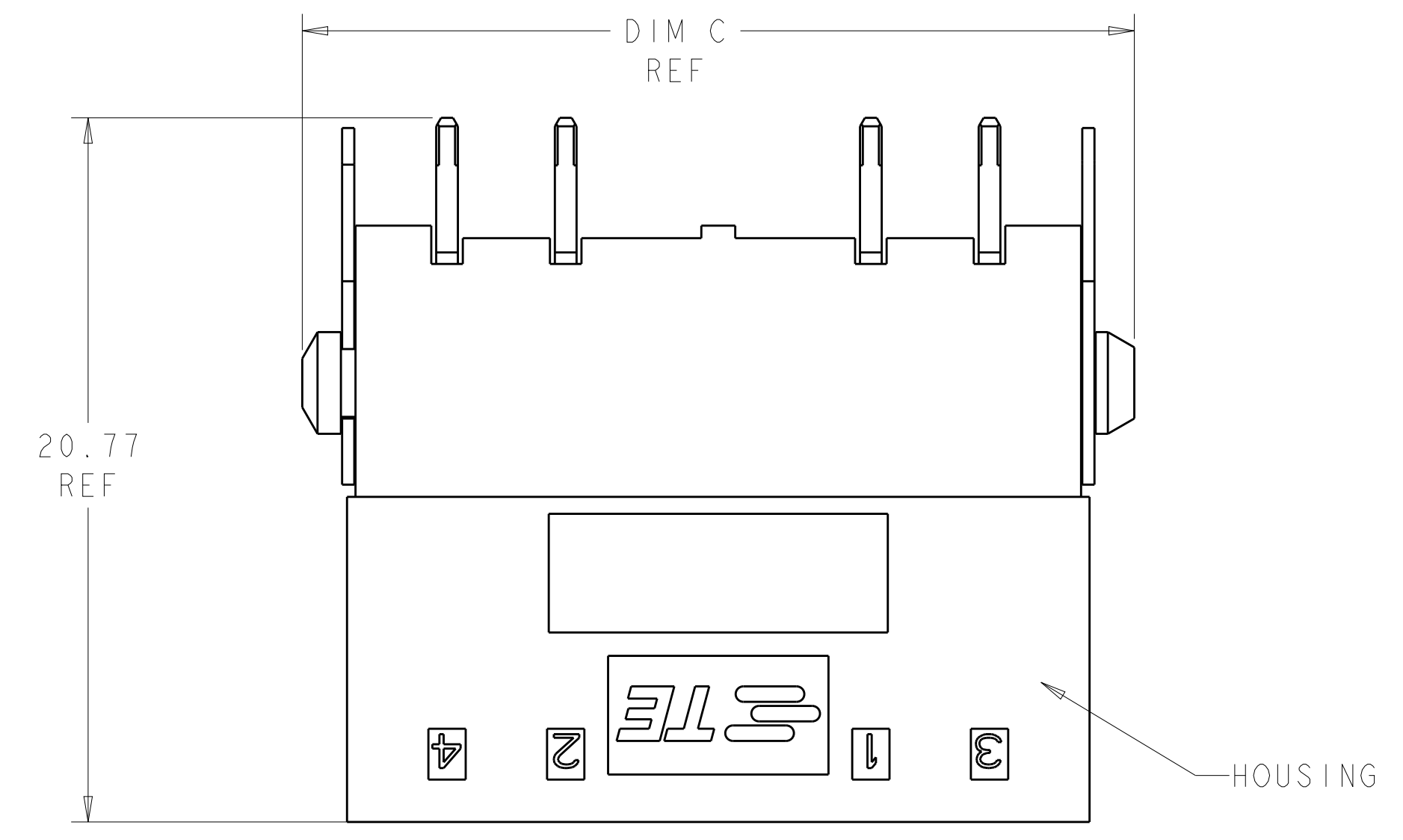
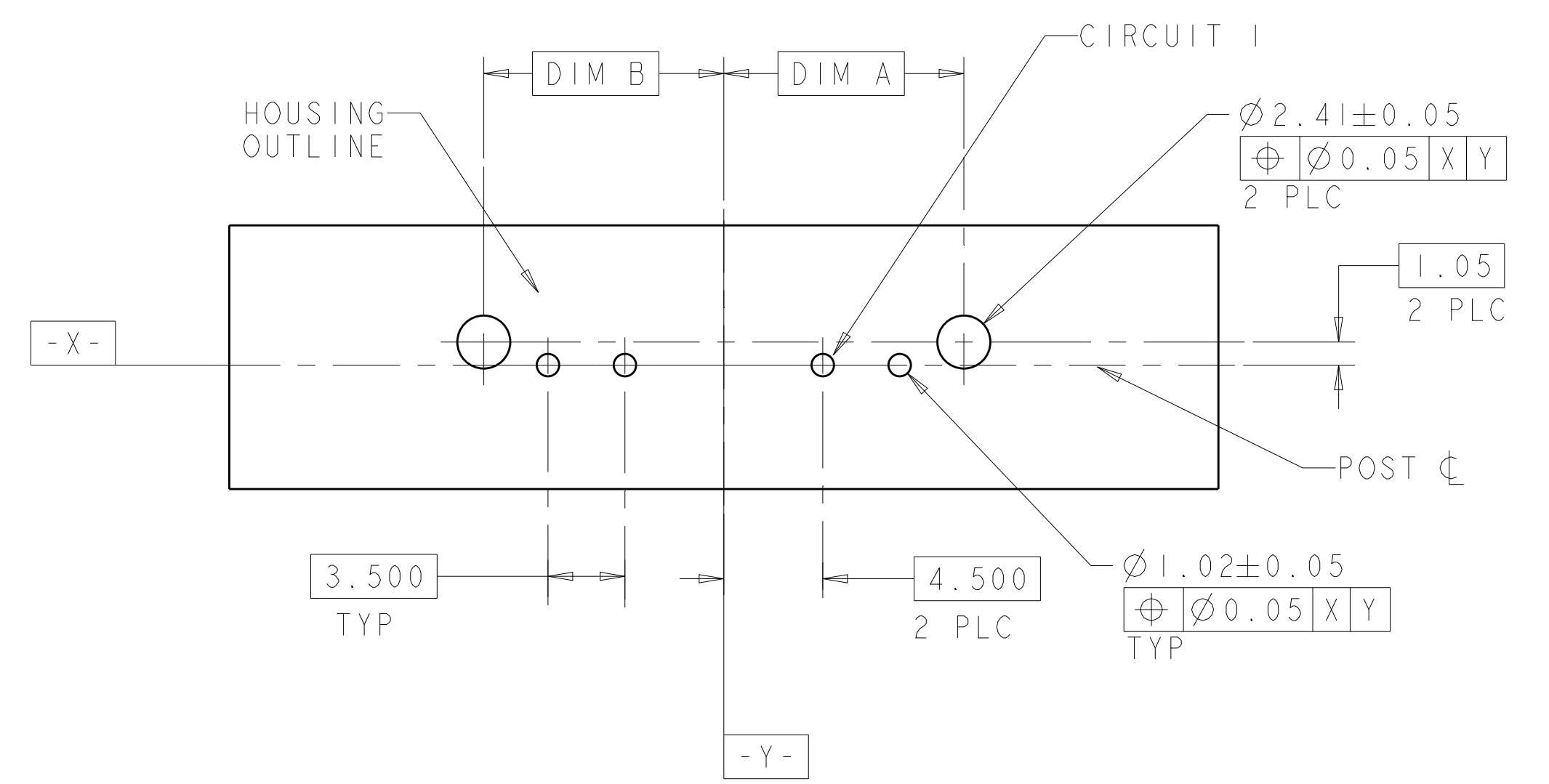
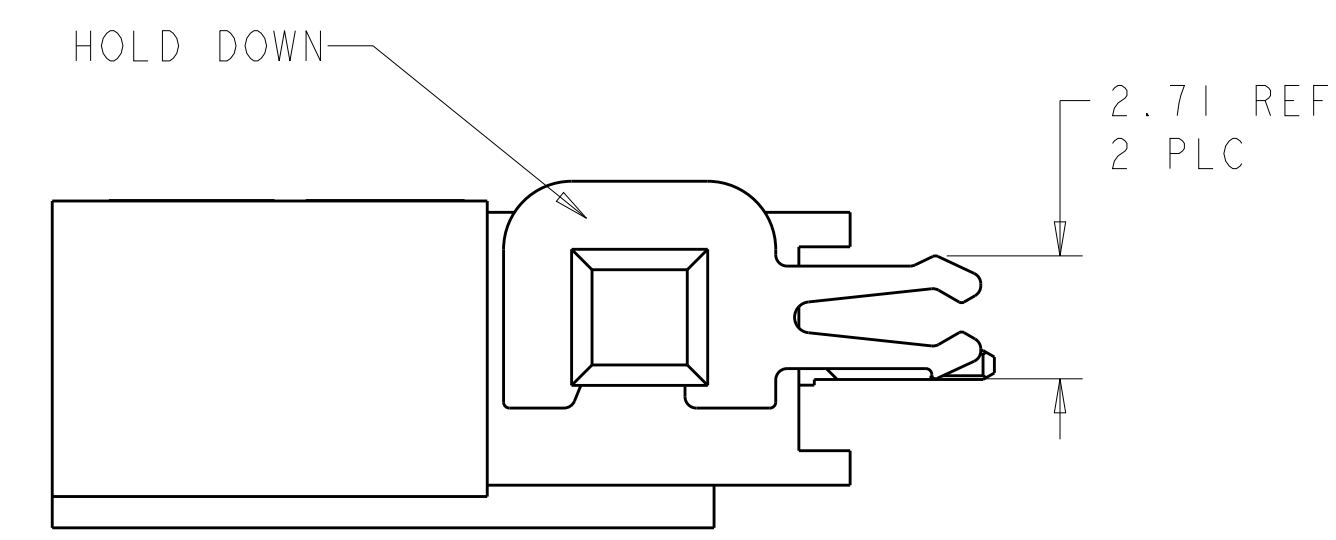
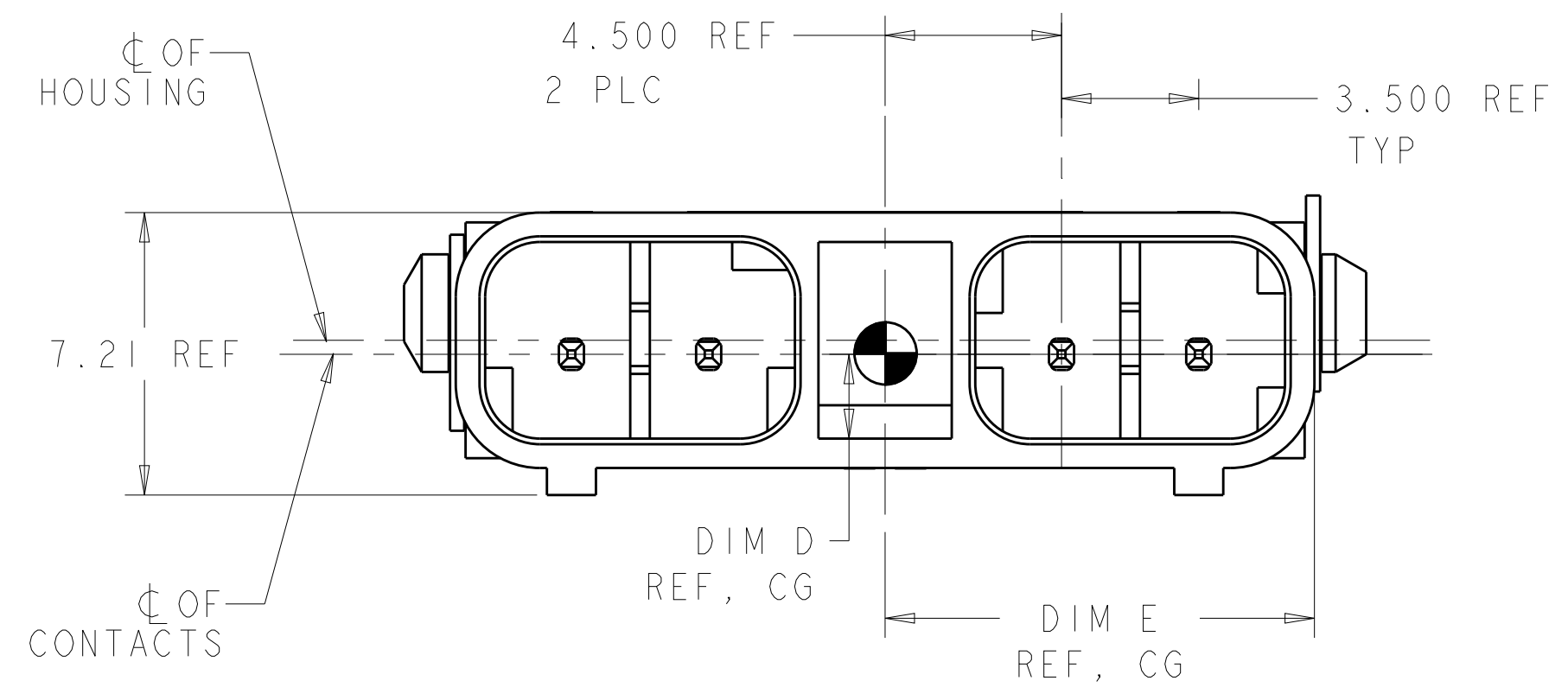


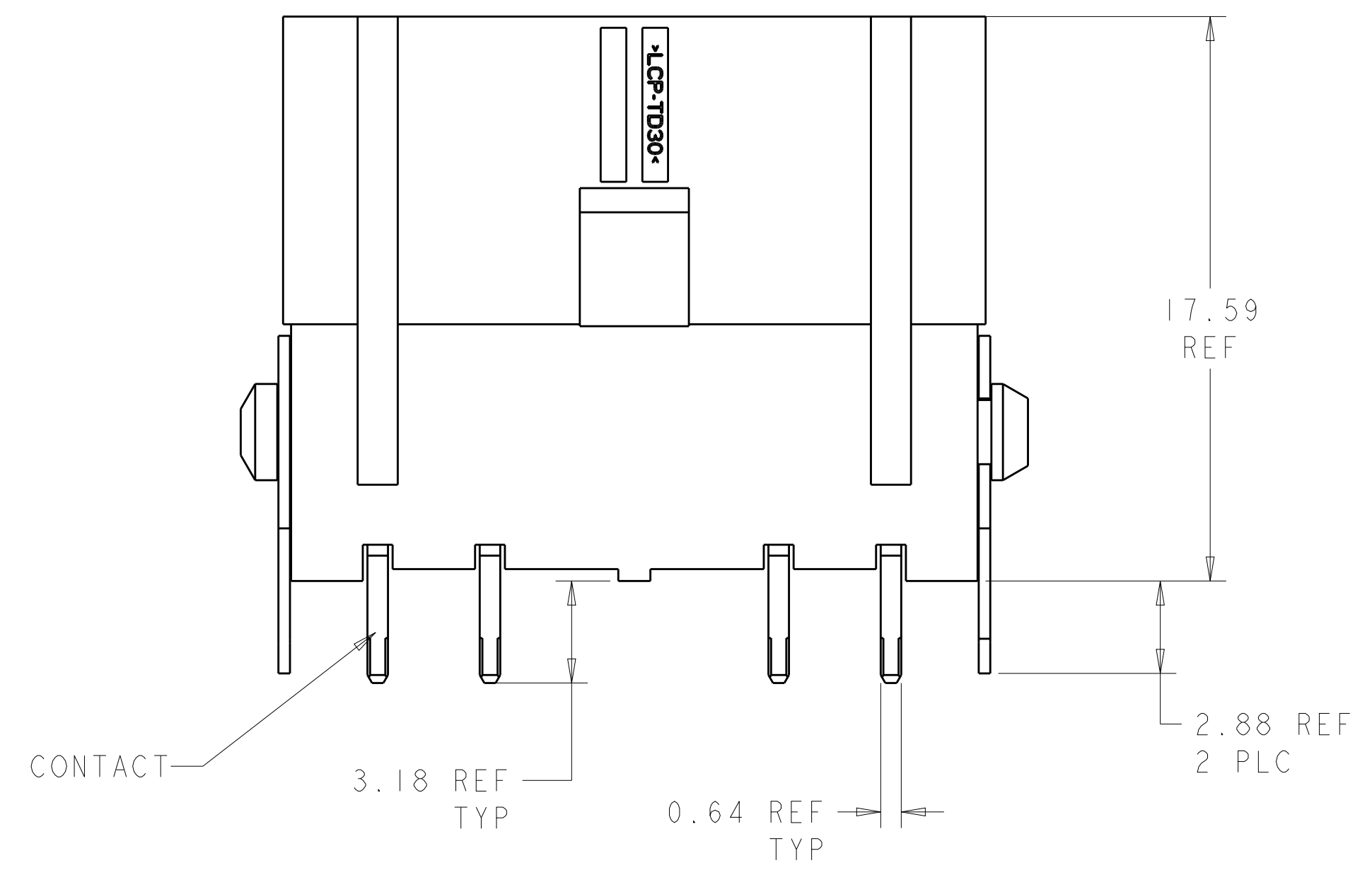
LOC	DIST	REVISIONS			
P	LTN	DESCRIPTION	DATE	DWN	APVD
A		REVISED PER ECR-10-013359	07JUL2010	HMR	DD
B		REVISED PER ECR-13-008007	17SEP2013	RS	DD



- △ MATERIAL: HOUSING: LCP, COLOR: BLACK.
- △ CONTACTS: BRASS.
FINISH: 2.54µm MIN MATTE TIN OVER NICKEL (ENTIRE POST).
- △ HOLDDOWN: COPPER ALLOY.
FINISH: 2.54µm MIN MATTE TIN OVER NICKEL.
- 4. THIS PRODUCT HAS NOT COMPLETED VALIDATION TESTING.
- △ RECOMMENDED PC BOARD THICKNESS OF 1.57.
- 6. PACKAGED IN TUBES.
- 7. MUST COMPLY WITH DIRECTIVE 2002/95/EC (ROHS).



RECOMMENDED PC BOARD HOLE LAYOUT, COMPONENT SIDE
 DIMENSIONS APPLY TO ALL POSITIONS, UNLESS OTHERWISE NOTED



10.94	2.94	24.54	10.92	10.92	4	2106112-6
9.20	2.94	21.04	7.42	10.92	3	2106112-4
7.44	2.94	17.54	7.42	7.42	2	2106112-2
DIM E	DIM D	DIM C	DIM B	DIM A	POSN	PART NUMBER

THIS DRAWING IS A CONTROLLED DOCUMENT. DWN: HM VAN SCIOK 19FEB2009
 CHK: A. BUCHER 19FEB2009
 APVD: A. BUCHER 19FEB2009

STE TE Connectivity

NAME: ASSEMBLY, VERTICAL THRU HOLE HEADER, SLIMSEAL SSL CONNECTOR

PRODUCT SPEC: 108-2391
 APPLICATION SPEC: 114-13261

SIZE: 114-13261
 WEIGHT: -

CAGE CODE: A100779
 DRAWING NO: C=2106112

CUSTOMER DRAWING SCALE: 4:1 SHEET 1 OF 1 REV B