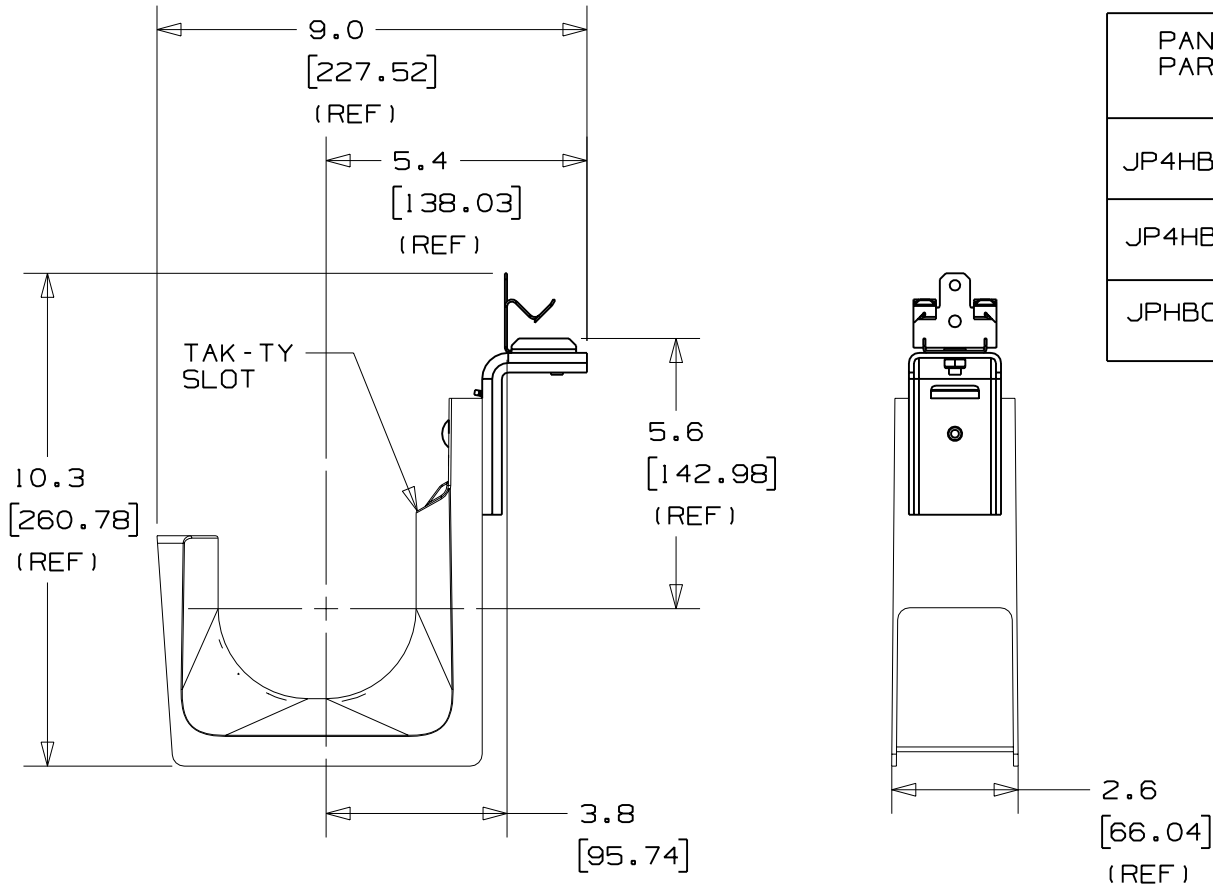
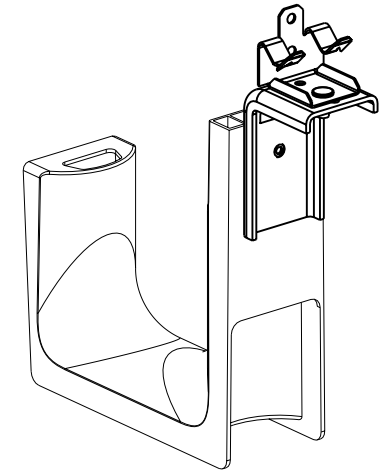


THIS COPY IS PROVIDED ON A RESTRICTED BASIS AND IS NOT TO BE USED IN ANY WAY DETRIMENTAL TO THE INTERESTS OF PANDUIT CORP.



PANDUIT PART NO.	FLANGE THICKNESS	WEIGHT lbs 10 (g) pcs
JP4HBC25R- ---	0.125 - 0.25 (3.18 - 6.35)	8.3 (3764.82)
JP4HBC50R- ---	0.3125 - 0.50 (7.94 - 12.7)	
JPHBC75R- ---	0.5625 - 0.75 (14.29 - 19.05)	



NOTES:

- SEE CURRENT PRICE SHEET FOR PART NUMBER SUFFIX DESIGNATION FOR PACKAGE SIZE AND PRODUCT COLOR.
- HOOK MATERIAL: 33% GLASS FILLED NYLON 6/6
ANGLE BRACKET MATERIAL: PRE-GALVANIZED STEEL
RIVET MATERIAL: ALUMINUM
CLAMP MATERIAL: SPRING STEEL
NUT MATERIAL: PLATED STEEL
- PRODUCT IS DESIGNED TO SUPPORT A MAXIMUM OF 4.0" (101.6) DIAMETER BUNDLE. MAXIMUM RECOMMENDED STATIC LOAD: 100 lbs.
- PRODUCT INCORPORATES FEATURES ALLOWING USER TO RETAIN CABLE BUNDLES IN J-PRO J-HOOK WITH TAK-TY CABLE TIES UP TO 3/4" WIDE.
- PRODUCT MARKINGS:
cULus logo and statement:
"SUITABLE FOR USE IN AIR HANDLING SPACES IN ACCORDANCE WITH SECTION 300-22 (C) & (D) OF THE NATIONAL ELECTRIC CODE."
ULC logo and statement:
"IN ACCORDANCE WITH CAN/ULC S-102.2 IN SINGLE UNITS OR PAIRS, 4 ft (1220mm) MIN. SPACING, FSR=0, SDC=20."

DIMENSIONS IN BRACKETS ARE METRIC [mm]									
CAD FILENAME/LAYERS G0304DH_PB_JP4HBC - -R_00									
PANDUIT CORP. TINLEY PARK, ILLINOIS									
J-PRO J-HOOK WITH 360° HAMMER-ON BEAM CLAMP (JP4HBC__R- ---)									
UNLESS OTHERWISE SPECIFIED, DIMENSIONAL TOLERANCES ARE: (.X) ±0.05 (1.3) (.XXX) ±0.010 (0.25) (.XX) ±0.02 (0.5) ANGLES ± 5°	UNLESS OTHERWISE SPECIFIED, ALL DIMENSIONS ARE GIVEN IN INCHES, THIRD ANGLE PROJECTION.								
DRAWN BY JAD	MAT'L:								
DATE 2/10/06	SEE NOTE 2								
SCALE NONE	DWG SIZE A								
REV	DATE	BY	CHK	DESCRIPTION	ECN - R	CUST	SUP	CHK'D	DWG
	2/10/06	JAD		INITIAL RELEASE	GB3043DH	R			GB3043DH

R	2/10/06	JAD		INITIAL RELEASE	GB3043DH	R			
REV	DATE	BY	CHK	DESCRIPTION	ECN - R	CUST	SUP	CHK'D	DWG