

4

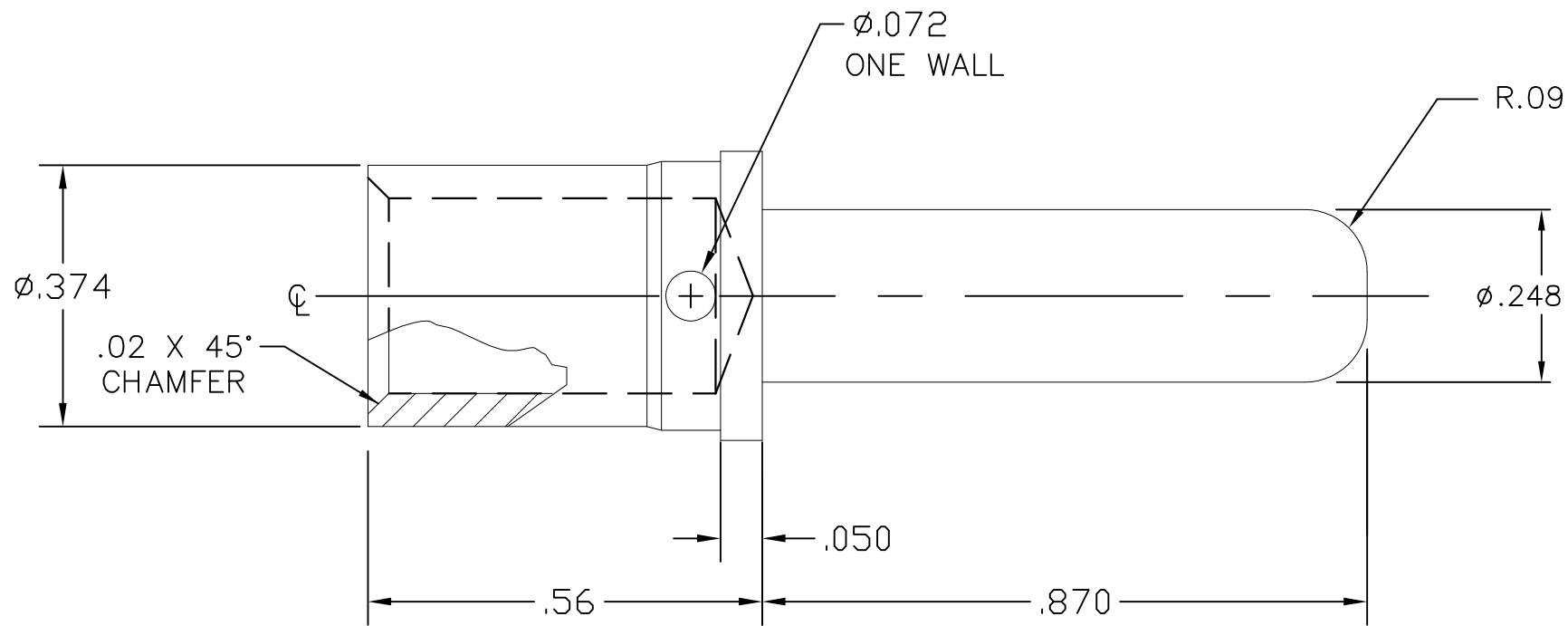
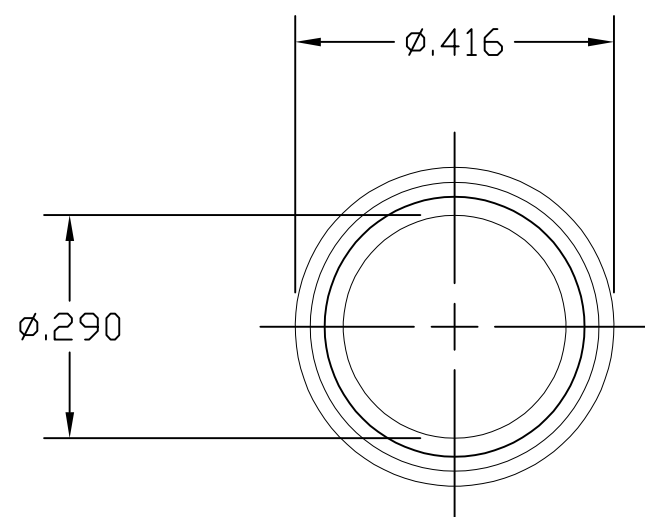
3

2

1

THIS DRAWING IS UNPUBLISHED. RELEASED FOR PUBLICATION
 © COPYRIGHT BY TYCO ELECTRONICS CORPORATION. ALL RIGHTS RESERVED.

LOC	DIST	REVISIONS					
GP	00	P	LTR	DESCRIPTION	DATE	DWN	APVD
			A	NEW RELEASE	20APR07	RG	SF



1. PART NUMBER CHANGES AND/OR DESIGN CHANGES AFFECTING ITEM INTERCHANGEABILITY REQUIRE PRIOR TYCO APPROVAL AND AUTHORIZATION BY REVISION TO THIS DRAWING.

2. ITEMS PROVIDED TO THIS SPECIFICATION TO BE PERMANENTLY IDENTIFIED ON THE CONTAINER WITH THE FOLLOWING IDENTIFIER:



3 MATERIAL: COPPER ALLOY

4 FINISH:
 SILVER PLATE .000200 MIN. THK. OVER
 NICKEL PLATE .000040 MIN THK.

AS SHOWN	1766253-1
DESCRIPTION	PART NUMER

THIS DRAWING IS A CONTROLLED DOCUMENT.		DWN	R.GRZYBOWSKI	30APR2007	Tyco Electronics Corporation Harrisburg, PA 17105-3608		
DIMENSIONS: INCHES		CHK	S.FLICKINGER	30APR07	NAME		
TOLERANCES UNLESS OTHERWISE SPECIFIED:		APVD	S.FLICKINGER	30APR07	CONTACT, PIN, 1/4 DIA. WITH No. 4 AWG CRIMP BARREL DRAWERS		
0 PLC ± -		PRODUCT SPEC	SIZE				
1 PLC ± -		APPLICATION SPEC	CAGE CODE				
2 PLC ± .02		FINISH	DRAWING NO				
3 PLC ± .010		MATERIAL	RESTRICTED TO				
4 PLC ± -		3	A300779				
ANGLES ± -		4	C-1766253				
MATERIAL		CUSTOMER DRAWING		SCALE		SHEET	
3		4		4:1		1 OF 1	
						REV A	

ELCON CIRCULAR CONTACTS