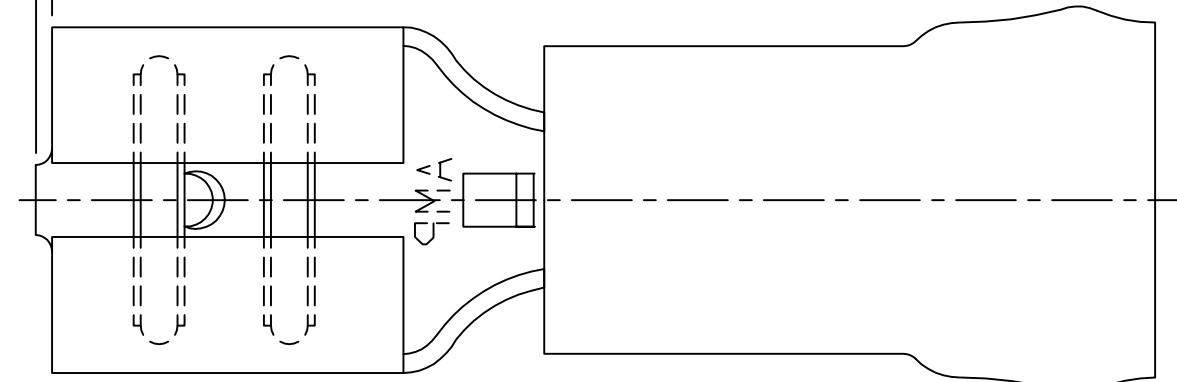


THIS DRAWING IS UNPUBLISHED. RELEASED FOR PUBLICATION  
 © COPYRIGHT - TE Connectivity ALL RIGHTS RESERVED.

REVISIONS					
P	LTR	DESCRIPTION	DATE	DWN	APVD
	M	REV PER OG3A-0176-02	08APR02	JR	TM
	M1	REVISED PER ECO-17-002887	01SEP2017	RS	DR

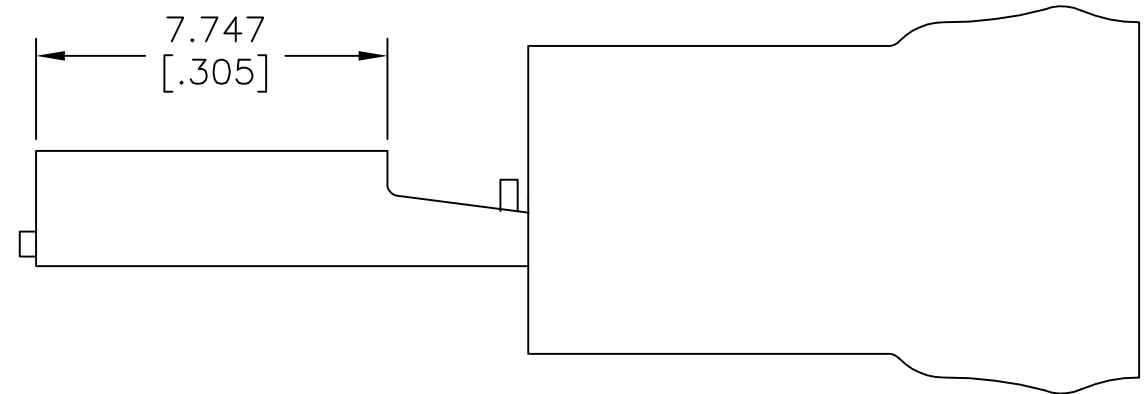
D

0.508  
 [.020]  
 MAX



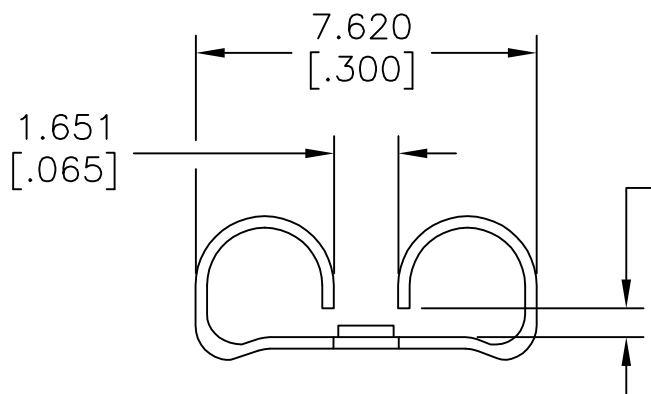
25.705  
 [1.012]  
 MAX

7.747  
 [.305]



C

B



FITS "250" SERIES FASTON TAB

- 1 THIS TERMINAL TO BE SUPPLIED IN INDIVIDUAL FORM, NOT AS CONTINUOUS STRIP.
- 2 INSULATION RANGE 6.350[.250] MAX.
- 3 TAB THK 0.813[.032].

D

C

B

-	LOOSE PIECE	61198-2
QTY	PACKAGE TYPE	PART NO

A

AMP INCORPORATED CUSTOMER SERVICE SYSTEM		MAX RECOMMENDED OPERATING TEMPERATURE: -	THIS DRAWING IS A CONTROLLED DOCUMENT.		DWN L OLMEDA 15NOV95	TE Connectivity RECEPTACLE, 250 SERIES, FASTON™, PIDG™, WIRE SIZE, 12-10 AWG					
FOR ADDITIONAL PRODUCT INFORMATION OR COPIES OF DRAWINGS AND TECHNICAL DOCUMENTS	PRODUCT INFORMATION CENTER 1-800-522-6752	VOLTAGE RATING: -	DIMENSIONS: mm [INCHES]	TOLERANCES UNLESS OTHERWISE SPECIFIED:	CHK M ELLIS 15NOV95					NAME	
FOR APPLICATION TOOLING INFORMATION	TOOLING ASSISTANCE CENTER 1-800-722-1111	CIRCULAR MIL AREA: -		0 PLC ± - 1 PLC ± - 2 PLC ± 0.38[.015] 3 PLC ± 0.127[.005] 4 PLC ± -	APVD B BARE 15NOV95	APPLICATION SPEC 114-1002	SIZE	CAGE CODE	DRAWING NO	RESTRICTED TO	
FOR ORDER ENTRY	1-800-526-5142			MATERIAL BODY, PH BRZ .018 SLV, NYLON, COLOR, YELLOW	FINISH BODY, TIN	PRODUCT SPEC -	WEIGHT -	A3	00779	C-61198	-
CUSTOMER DRAWING						SCALE	6:1	SHEET	1 OF 1	REV	M1

A