

1.General Specifications

Operating Temp.	:	min. 0°C ~max. 50°C
Storage Temp.	:	min. -20°C ~max. 60°C
Dot Pixels	:	320 (W) × 240 (H) dots
Dot Size	:	0.285 (W) × 0.285 (H) mm
Dot Pitch	:	0.3 (W) × 0.3 (H) mm
Viewing Area	:	99.85 (W) × 77.0 (H) mm
Outline Dimensions	:	129.4 (W) × 94.0* (H) × (10.0) (D) mm *Without CFL Cable
Weight	:	128g max.
LCD Type	:	NTD-21295 (STN / Blue-mode / Transmissive)
Viewing Angle	:	6:00
Data Transfer	:	4-bit parallel data transfer
Backlight	:	Cold Cathode Fluorescent Lamp (CFL) × 1
Drawings	:	Dimensional Outline UE-311437

2. Electrical Specifications

2.1. Absolute Maximum Ratings

V_{SS}=0V

Parameter	Symbol	Conditions	Min.	Max.	Units
Supply Voltage (Logic)	V _{CC} -V _{SS}	-	-0.3	7.0	V
Supply Voltage (LCD Drive)	V _{HH} /V _{CONT} - V _{SS}	-	-0.3	30.0	V
Input Voltage	V _I	-	-0.3	V _{CC} +0.3	V

2.2. DC Characteristics

T_a=25°C, V_{SS}=0V

Parameter	Symbol	Conditions	Min.	Typ.	Max.	Units
Supply Voltage (Logic)	V _{CC} -V _{SS}	-	4.5	-	5.5	V
Supply Voltage (LCD Drive)	V _{HH} /V _{CONT} - V _{SS}	-	1.0	1.7	2.5	V
High Level Input Voltage	V _{IH}	V _{CC} =4.5~5.5V	0.8×V _{CC}	-	-	V
Low Level Input Voltage	V _{IL}	V _{CC} =4.5~5.5V	0	-	0.2×V _{CC}	V
Supply Current	I _{CC}	V _{CC} -V _{SS} =5.0V	-	20.0	30.0	mA

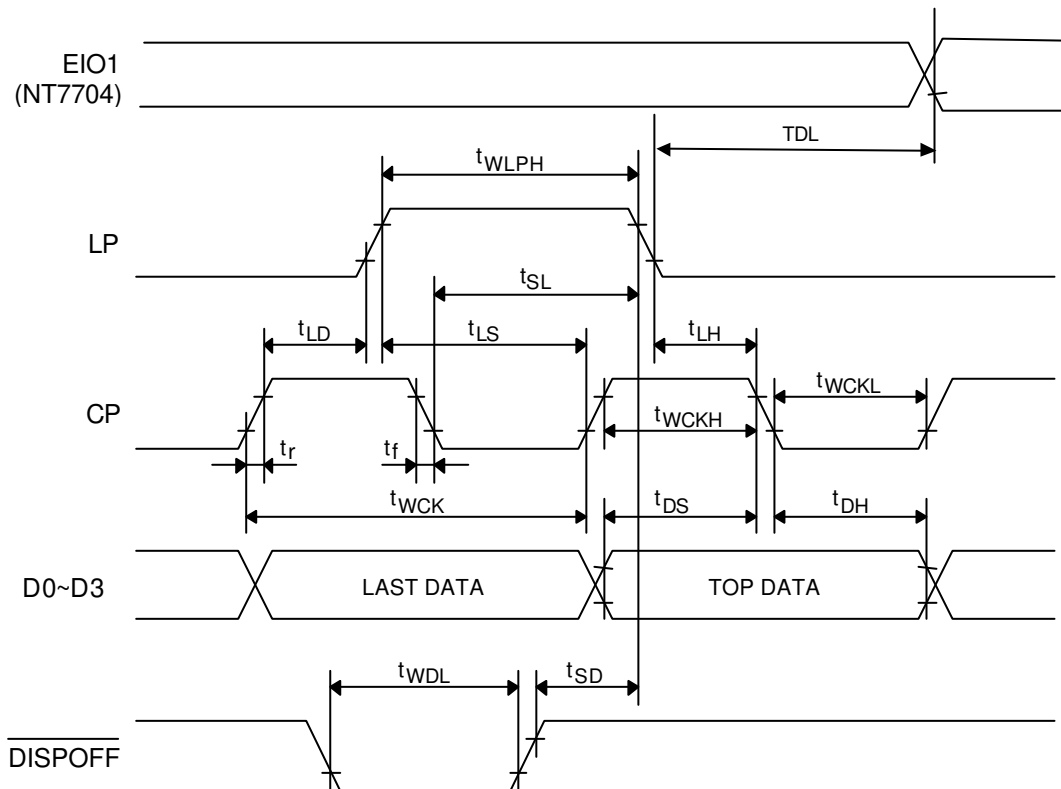
2.3.AC Characteristics

V_{CC}=4.5~5.5V

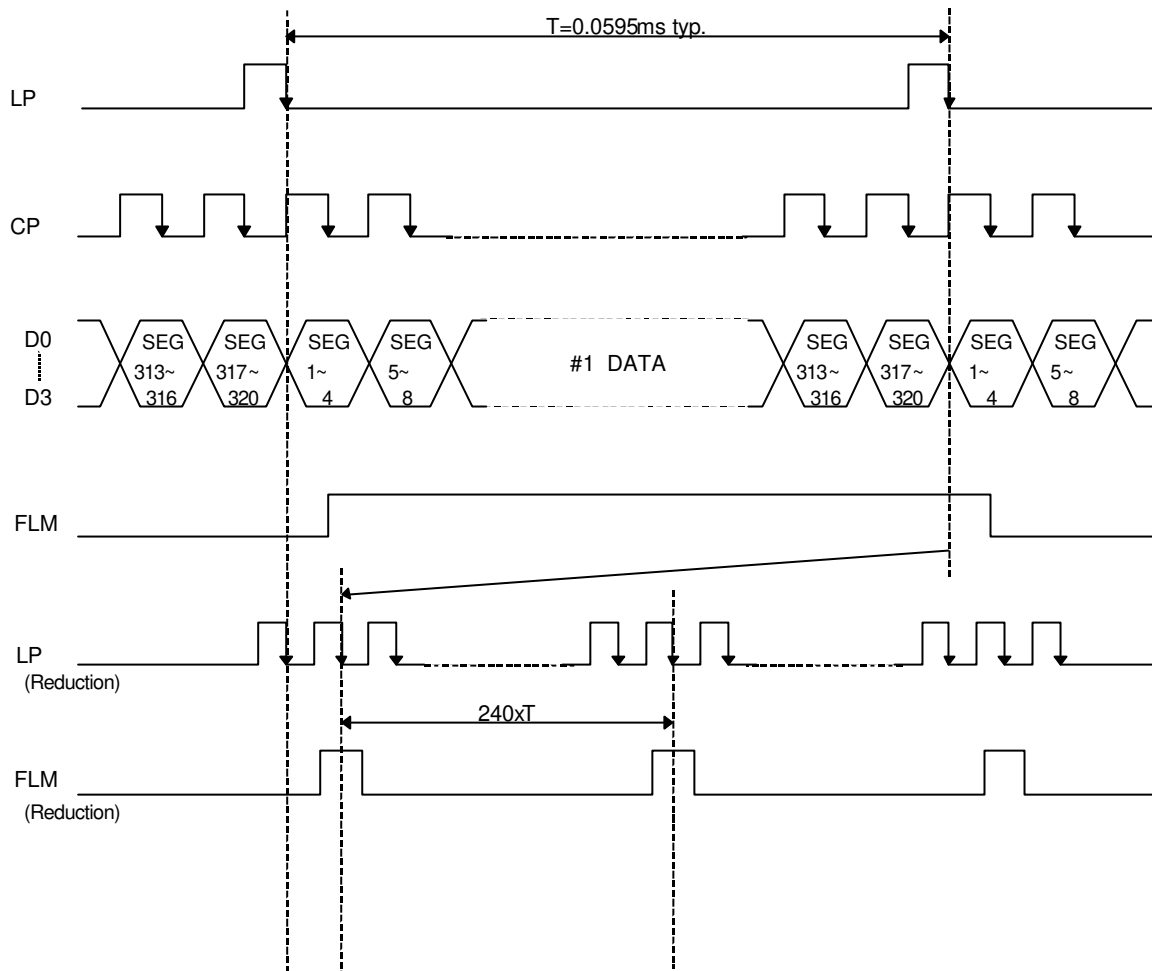
Parameter	Symbol	Min.	Max.	Units
Shift Clock Period	t_{WCK}	71	-	ns
Shift Clock "H" Pulse Width	t_{WCKH}	23	-	ns
Shift Clock "L" Pulse Width	t_{WCKL}	23	-	ns
Data Setup Time	t_{DS}	10	-	ns
Data Hold Time	t_{DH}	20	-	ns
Latch Pulse "H" Pulse Width	t_{WLPH}	15	-	ns
Shift Clock Rise to Latch Pulse Rise Time	t_{LD}	0	-	ns
Shift Clock Fall to Latch Pulse Fall Time	t_{SL}	25	-	ns
Latch Pulse Rise to Shift Clock Rise Time	t_{LS}	25	-	ns
Latch Pulse Fall to Shift Clock Rise Time	t_{LH}	25	-	ns
Input Signal Rise,Fall Time	t_r, t_f	-	50 Note.1	ns
$\overline{\text{DISPOFF}}$ Removal Time	t_{SD}	100	-	ns
$\overline{\text{DISPOFF}}$ Enable Pulse Width	t_{WDL}	1.2	-	μs
Output Delay Time	t_{DL}	-	200 Note.2	ns

Note.1 : $(t_{CK} - t_{wckl} - t_{wckh})/2$ is the maximum in case of high speed operation.

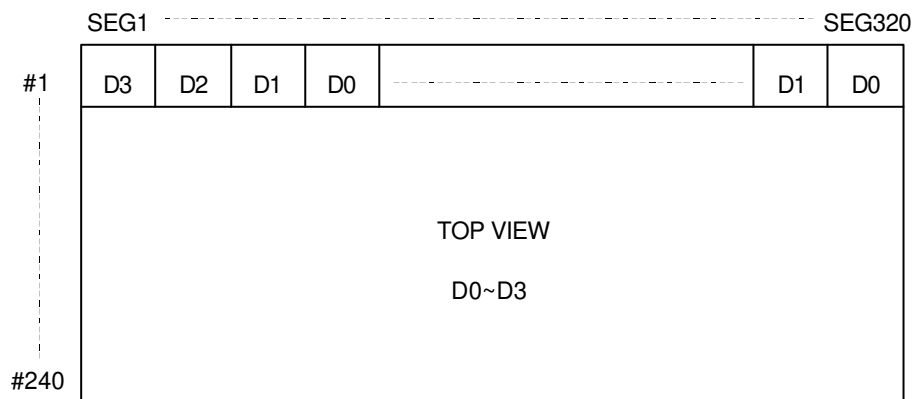
Note.2 : $C_L=15\text{pF}$



2.4. Timing Chart

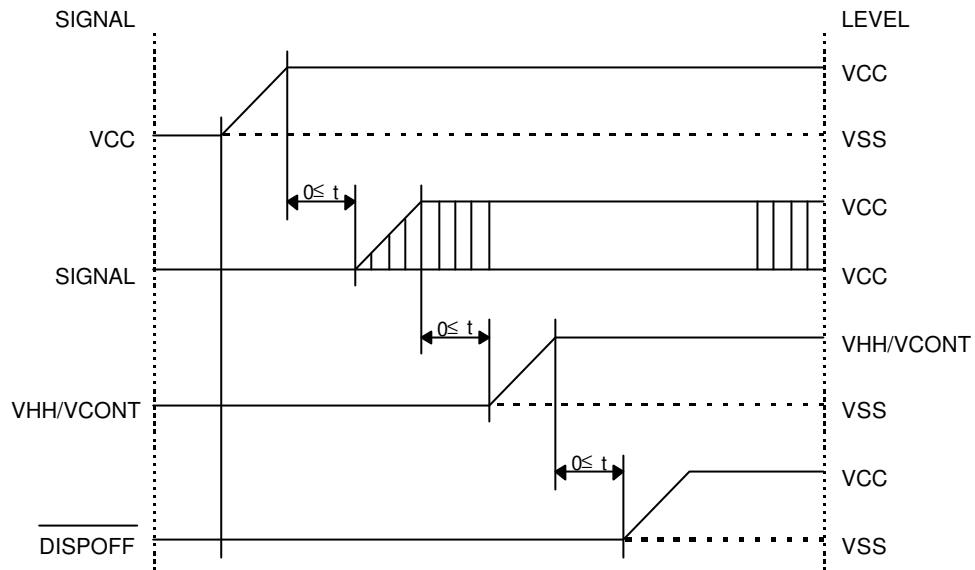


2.5. Comparison of Display and Data

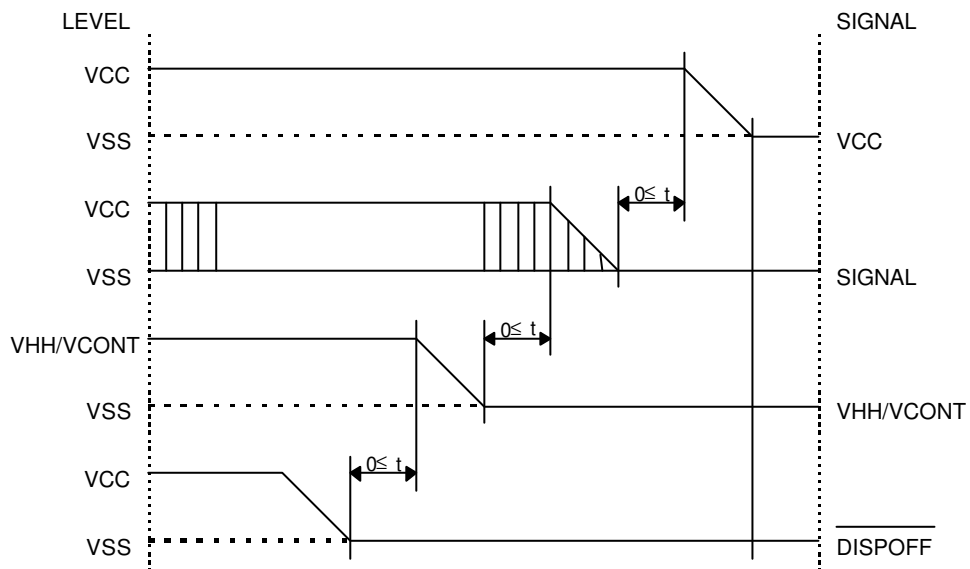


2.6. Power Supply ON/OFF Sequence

2.6.1. ON Sequence



2.6.2. OFF Sequence



Please maintain the above sequence when turning on and off the power supply of the module.

If $\overline{\text{DISPOFF}}$ is supplied to the module while internal alternate signal for LCD driving (M) is unstable, DC component will be supplied to the LCD panel. This may cause damage the LCD module.

2.7. Lighting Specifications

Ta=25°C

Parameter	Symbol	Conditions	Min.	Typ.	Max.	Units	Notes
Lamp Voltage	V _L	-	-	280	-	V _{rms}	1
Lamp Current	I _L	-	4.0	5.0	6.0	mA _{rms}	2
Starting Voltage	V _S	-	-	-	500	V _{rms}	3
Surface Luminance	L	I _L =5.0mA	-	400	-	cd/m ²	4
Average Life	T _{AL}	I _L =5.0mA	-	50000	-	hrs	5

Note 1 :The voltage (r.m.s.) to maintain the electric discharge of the lamp. It is measured after lighting for 3 minutes .

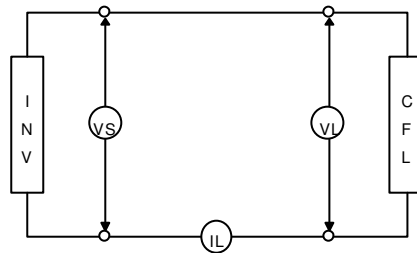
Note 2 :The current (r.m.s.) to flow through the lamp with the electric discharge. It is measured after lighting for 3 minutes.

Note 3 :The voltage at starting the electric discharge when the voltage is increased gradually from 0V.

Note 4 :Surface Luminance is specified by the initial data of luminance measured at the center of display surface after 20 minutes power on. (All ON pattern)

Note 5 : CFL Life is defined as time period that the actual luminance becomes 50% or lower of its initial value.

The Average life time of CFL is defined as the time when half or more of the testing CFLs have become less bright than 50% of the initial brightness at continuous operation.



CFL Testina Circuit

Recommended Inverter : S-12565 (Produced by ELEVAM)

3. Optical Specifications

3.1. Optical Characteristics

$T_a=25^{\circ}\text{C}$, 1/240 Duty, 1/14 Bias, $V_{OD}=22.4\text{V}$ (Note 4), $\theta=0^{\circ}$, $\phi=270^{\circ}$

Parameter		Symbol	Conditions	Min.	Typ.	Max.	Units
Contrast Ratio	Note 1	CR	$\theta=0^{\circ}, \phi=270^{\circ}$	-	4.5	-	
Viewing Angle			Shown in 3.3				
Response Time	Rise Note 2	T_{ON}	-	-	330	500	ms
	Decay Note 3	T_{OFF}	-	-	300	450	ms

Note 1 : Contrast ratio is defined as follows. ($CR = L_{ON} / L_{OFF}$)

L_{ON} : Luminance of the ON segments

L_{OFF} : Luminance of the OFF segments

Measuring Spot : $3.0\text{mm}\phi$

Note 2 : The time that the luminance level reaches 90% of the saturation level from 0% when ON signal is applied.

Note 3 : The time that the luminance level reaches 10% of the saturation level from 100% when OFF signal is applied.

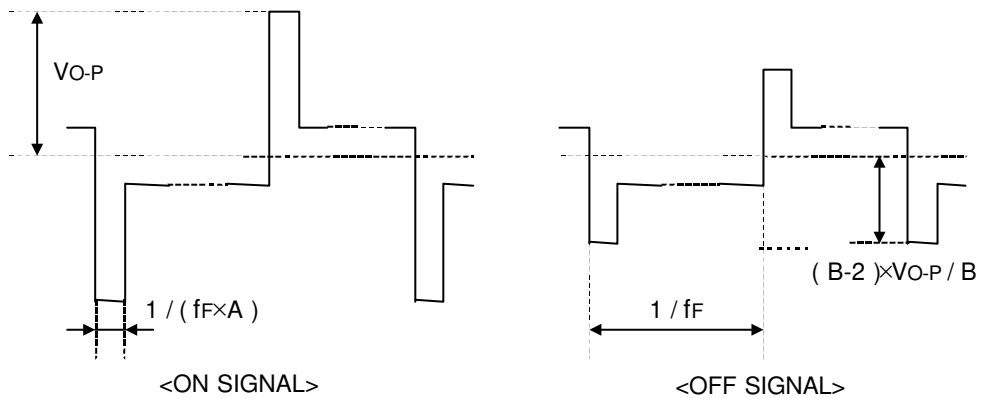
Note 4 : Definition of Driving Voltage V_{OD}

$$V_{OD} = V_{CC} - V_{ADJ} - V_{BE}$$

Assuming that the typical driving waveforms shown below are applied to the LCD

Panel at 1/A Duty - 1/B Bias (A: Duty Number, B: Bias Number). Driving voltage

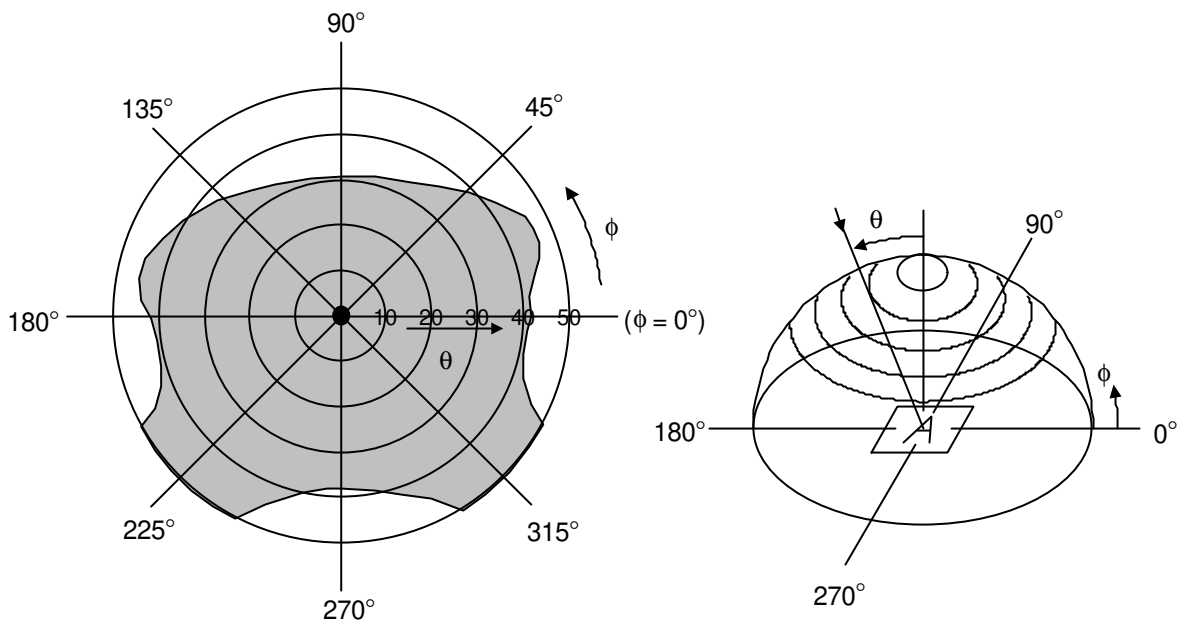
V_{OD} is defined as the voltage V_{O-P} when the contrast ratio ($CR=L_{ON} / L_{OFF}$) is at its maximum.




3.2. Definition of Viewing Angle and Optimum Viewing Area

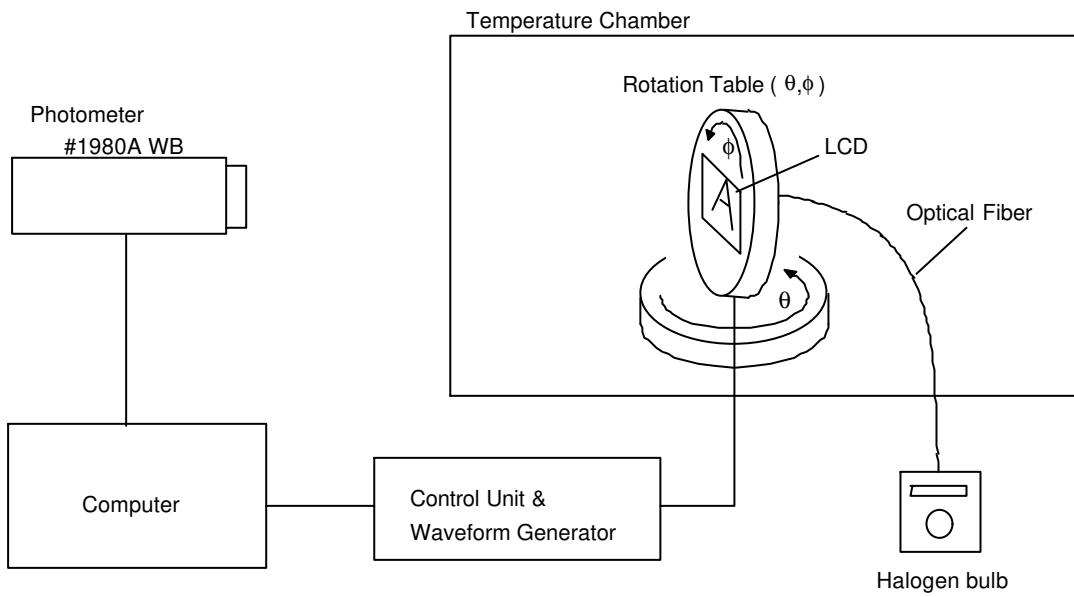
*Point ● shows the point where contrast ratio is measured. : $\theta = 0^\circ$, $\phi = 270^\circ$

*Driving condition: 1/240 Duty, 1/14 Bias, $V_{OD} = 22.4V$, $f_F = 70Hz$



*Area  shows typ. $CR \geq 2$ (Measuring Spot : 3.0mm ϕ)

3.3. System Block Diagram



4.I/O Terminal

4.1.Pin Assignment

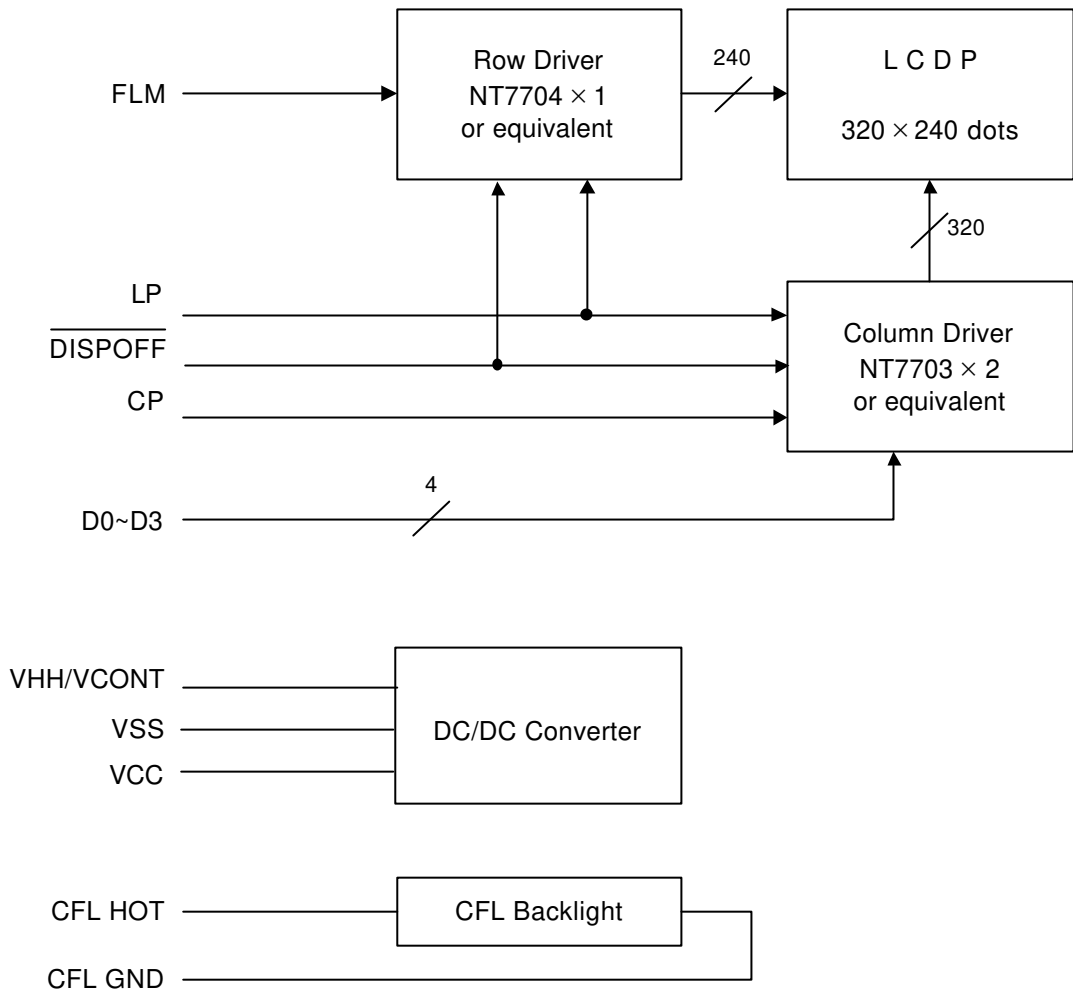
CN1

No.	Symbol	Function
1	Vss	Power Supply (0V, GND)
2	Vss	Power Supply (0V, GND)
3	FLM	First Line Marker
4	LP	Data Latch Signal
5	CP	Clock Signal for Shifting Data
6	$\overline{\text{DISPOFF}}$	Display Control Signal H : Display on L : Display off
7	Vcc	Power Supply for Logic
8	D3	Display Data
9	D2	Display Data
10	D1	Display Data
11	D0	Display Data
12	VHH/VCONT	Power Supply for LCD Drive
13	NC	Non-connection
14	NC	Non-connection

CN2

No.	Symbol	Function
1	CFL GND	Power Supply for CFL (GND)
2	NC	Non-connection
3	CFL HOT	Power Supply for CFL (HOT)

4.2. Block Diagram



5. Test

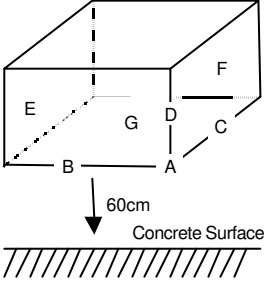
No change on display and in operation under the following test condition.

Conditions: Unless otherwise specified, tests will be conducted under the following condition.

Temperature: $20 \pm 5^\circ\text{C}$

Humidity : $65 \pm 5\% \text{RH}$

tests will be not conducted under functioning state.

No.	Parameter	Conditions	Notes
1	High Temperature Operating	$50^\circ\text{C} \pm 2^\circ\text{C}$, 96hrs (operation state)	
2	Low Temperature Operating	$0^\circ\text{C} \pm 2^\circ\text{C}$, 96hrs (operation state)	1
3	High Temperature Storage	$60^\circ\text{C} \pm 2^\circ\text{C}$, 96hrs	2
4	Low Temperature Storage	$-20^\circ\text{C} \pm 2^\circ\text{C}$, 96hrs	1,2
5	Damp Proof Test	$40^\circ\text{C} \pm 2^\circ\text{C}$, 90~95%RH, 96hrs	1,2
6	Vibration Test	Total fixed amplitude : 1.5mm Vibration Frequency : 10~55Hz One cycle 60 seconds to 3 directions of X, Y, Z for each 15 minutes	3
7	Shock Test	To be measured after dropping from 60cm high on the concrete surface in packing state. 	

Note 1 :No dew condensation to be observed.

Note 2 :The function test shall be conducted after 4 hours storage at the normal Temperature and humidity after removed from the test chamber.

Note 3 :Vibration test will be conducted to the product itself without putting it in a container.

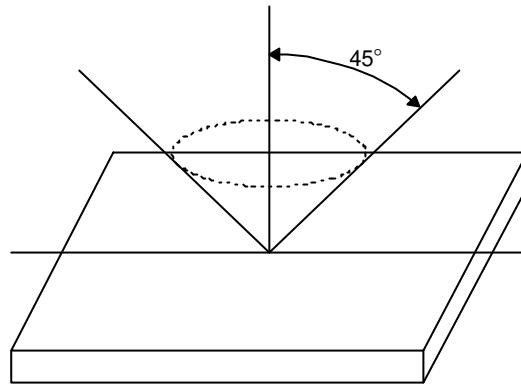
6.Appearance Standards

6.1.Inspection conditions

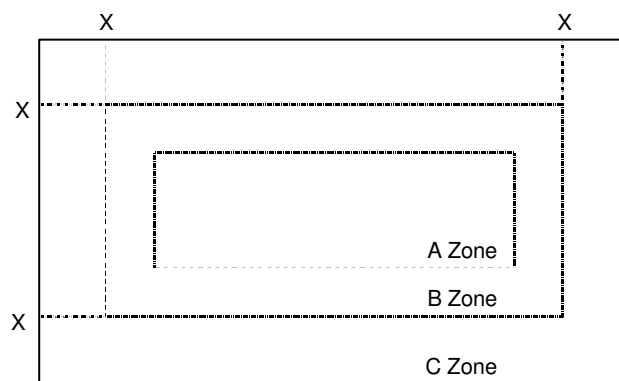
The LCD shall be inspected under 40W white fluorescent light.

The distance between the eyes and the sample shall be more than 30cm.

All directions for inspecting the sample should be within 45°against perpendicular line.



6.2.Definition of applicable Zones



X : Maximum Seal Line

A Zone : Active display area

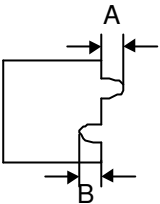
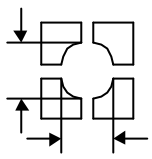
B Zone : Out of active display area ~ Maximum seal line

C Zone : Rest parts

A Zone + B Zone = Validity viewing area

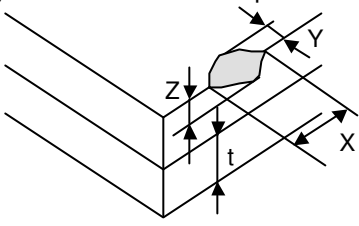
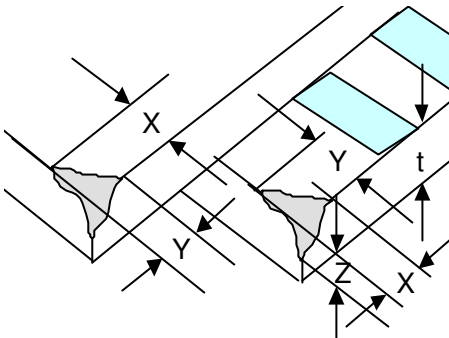
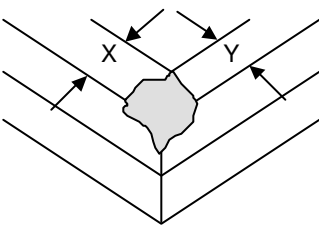
6.3.Standards(middle scale, CFL)

$D = (\text{Long} + \text{Short}) / 2$ * : Disregard Units : mm

No.	Parameter	Criteria														
1	The Shape of Dot	<p>(1) Breakage or Chips / Deformation</p> <p>1.Dot Type</p>  <table border="1" data-bbox="758 369 1380 705"> <thead> <tr> <th>Dimension</th> <th>Acceptable Number</th> </tr> </thead> <tbody> <tr> <td>$A \leq 0.10$</td> <td>* (Should not be connected to next dot)</td> </tr> <tr> <td>$0.10 < A \leq 0.15$</td> <td>1 pc / dot(only segment)or less 5 pcs / cell or less (Should not be connected to next dot)</td> </tr> <tr> <td>$B \leq 0.15$</td> <td>*</td> </tr> </tbody> </table> <p>2.Defective type extends over multiple numbers of dots</p>  <table border="1" data-bbox="758 795 1380 1086"> <thead> <tr> <th>Dimension</th> <th>Acceptable Number</th> </tr> </thead> <tbody> <tr> <td>$D \leq 0.10$</td> <td>*</td> </tr> <tr> <td>$0.10 < D \leq 0.20$</td> <td>1 pc / dot(only segment)or less 5 pcs / cell or less (Individual dot must secure 1/2 area or more)</td> </tr> </tbody> </table>	Dimension	Acceptable Number	$A \leq 0.10$	* (Should not be connected to next dot)	$0.10 < A \leq 0.15$	1 pc / dot(only segment)or less 5 pcs / cell or less (Should not be connected to next dot)	$B \leq 0.15$	*	Dimension	Acceptable Number	$D \leq 0.10$	*	$0.10 < D \leq 0.20$	1 pc / dot(only segment)or less 5 pcs / cell or less (Individual dot must secure 1/2 area or more)
Dimension	Acceptable Number															
$A \leq 0.10$	* (Should not be connected to next dot)															
$0.10 < A \leq 0.15$	1 pc / dot(only segment)or less 5 pcs / cell or less (Should not be connected to next dot)															
$B \leq 0.15$	*															
Dimension	Acceptable Number															
$D \leq 0.10$	*															
$0.10 < D \leq 0.20$	1 pc / dot(only segment)or less 5 pcs / cell or less (Individual dot must secure 1/2 area or more)															

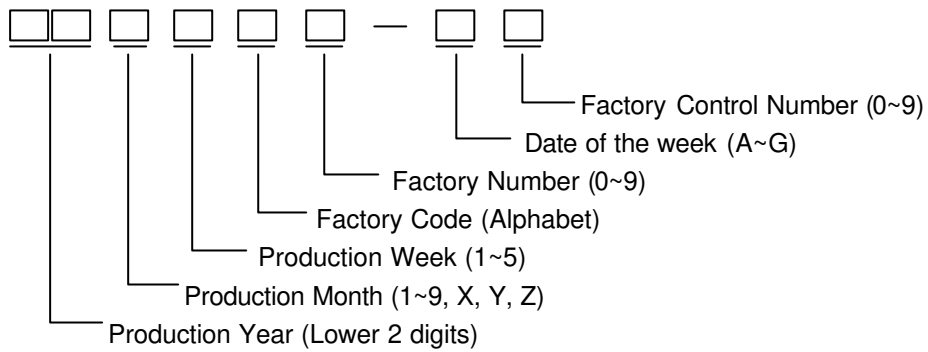
$$D = (\text{Long} + \text{Short}) / 2 \quad * : \text{Disregard} \quad \text{Units : mm}$$

No.	Parameter	Criteria																																										
2	Black and White Spots, Foreign Substances	<p>(1) Round Shape</p> <table border="1"> <thead> <tr> <th rowspan="2">Dimension \ Zone</th> <th colspan="3">Acceptable Number</th> </tr> <tr> <th>A</th> <th>B</th> <th>C</th> </tr> </thead> <tbody> <tr> <td>$D \leq 0.10$</td> <td>*</td> <td>*</td> <td>*</td> </tr> <tr> <td>$0.10 < D \leq 0.20$</td> <td>6</td> <td>6</td> <td>*</td> </tr> <tr> <td>$0.20 < D \leq 0.30$</td> <td>4</td> <td>4</td> <td>*</td> </tr> </tbody> </table> <p>Individual dot must secure 1/2 area or more.</p> <p>(2) Line Shape</p> <table border="1"> <thead> <tr> <th rowspan="2">Length \ Width \ Zone</th> <th colspan="3">Acceptable Number</th> </tr> <tr> <th>A</th> <th>B</th> <th>C</th> </tr> </thead> <tbody> <tr> <td>$L \leq 2.0$ \ $W \leq 0.03$</td> <td>*</td> <td>*</td> <td>*</td> </tr> <tr> <td>$L \leq 2.0$ \ $0.03 < W \leq 0.05$</td> <td>5</td> <td>5</td> <td>*</td> </tr> <tr> <td>$L \leq 1.0$ \ $0.05 < W \leq 0.10$</td> <td>5</td> <td>5</td> <td>*</td> </tr> <tr> <td>* \ $0.10 < W$</td> <td colspan="2">In the same way (1)</td> <td>*</td> </tr> </tbody> </table> <p>No more than 10pcs as total. (Refer to "Complex Foreign Substance Defects")</p>	Dimension \ Zone	Acceptable Number			A	B	C	$D \leq 0.10$	*	*	*	$0.10 < D \leq 0.20$	6	6	*	$0.20 < D \leq 0.30$	4	4	*	Length \ Width \ Zone	Acceptable Number			A	B	C	$L \leq 2.0$ \ $W \leq 0.03$	*	*	*	$L \leq 2.0$ \ $0.03 < W \leq 0.05$	5	5	*	$L \leq 1.0$ \ $0.05 < W \leq 0.10$	5	5	*	* \ $0.10 < W$	In the same way (1)		*
Dimension \ Zone	Acceptable Number																																											
	A	B	C																																									
$D \leq 0.10$	*	*	*																																									
$0.10 < D \leq 0.20$	6	6	*																																									
$0.20 < D \leq 0.30$	4	4	*																																									
Length \ Width \ Zone	Acceptable Number																																											
	A	B	C																																									
$L \leq 2.0$ \ $W \leq 0.03$	*	*	*																																									
$L \leq 2.0$ \ $0.03 < W \leq 0.05$	5	5	*																																									
$L \leq 1.0$ \ $0.05 < W \leq 0.10$	5	5	*																																									
* \ $0.10 < W$	In the same way (1)		*																																									
3	Color Variation	Not to be conspicuous defects.																																										
4	Air Bubbles (between glass & polarizer)	<table border="1"> <thead> <tr> <th rowspan="2">Dimension \ Zone</th> <th colspan="3">Acceptable Number</th> </tr> <tr> <th>A</th> <th>B</th> <th>C</th> </tr> </thead> <tbody> <tr> <td>$D \leq 0.30$</td> <td>*</td> <td>*</td> <td>*</td> </tr> <tr> <td>$0.30 < D \leq 0.40$</td> <td>3</td> <td>*</td> <td>*</td> </tr> <tr> <td>$0.40 < D \leq 0.60$</td> <td>2</td> <td>3</td> <td>*</td> </tr> </tbody> </table> <p>No more than 3pcs as total. (Refer to "Complex Foreign Substance Defects")</p>	Dimension \ Zone	Acceptable Number			A	B	C	$D \leq 0.30$	*	*	*	$0.30 < D \leq 0.40$	3	*	*	$0.40 < D \leq 0.60$	2	3	*																							
Dimension \ Zone	Acceptable Number																																											
	A	B	C																																									
$D \leq 0.30$	*	*	*																																									
$0.30 < D \leq 0.40$	3	*	*																																									
$0.40 < D \leq 0.60$	2	3	*																																									
5	Polarizer Scratches	Not to be conspicuous defects.																																										
6	Polarizer Dirts	If the stains are removed easily from LCDP surface, the module is not defective.																																										
7	Complex Foreign Substance Defects	Black spots, line shaped foreign substances or air bubbles between glass & polarizer should be 10pcs maximum in total.																																										
8	Distance between Different Foreign Substance Defects	20mm or more																																										

No.	Parameter	Criteria												
9	Chipped Glass	<p>(1) Other than electrode pad areas and corner areas</p>  <table border="1" data-bbox="986 380 1385 481"> <thead> <tr> <th>X</th> <th>Y</th> <th>Z</th> </tr> </thead> <tbody> <tr> <td>≤10.0</td> <td>≤1.5</td> <td>≤t</td> </tr> </tbody> </table> <p>(2) Corner Areas</p> <p>1. Lead Areas</p>  <table border="1" data-bbox="587 1003 1385 1146"> <thead> <tr> <th>X</th> <th>Y</th> <th>Z</th> </tr> </thead> <tbody> <tr> <td>Half dimension till first Leads terminal</td> <td>Same as terminal width</td> <td>*</td> </tr> </tbody> </table> <p>It is allowed 1 chip as total length of Z sirection In case of 2 or more chips, $Z \leq 1/2t$</p> <p>2. Other than electrode pad Areas</p>  <p>$X+Y \leq 8.0$</p> <p>If the chipped area touches the seal line, the LCD is not acceptable.</p>	X	Y	Z	≤10.0	≤1.5	≤t	X	Y	Z	Half dimension till first Leads terminal	Same as terminal width	*
X	Y	Z												
≤10.0	≤1.5	≤t												
X	Y	Z												
Half dimension till first Leads terminal	Same as terminal width	*												

7.Code System of Production Lot

The production lot of module is specified as follows.



8.Type Number

The type number of module is specified as follows.

F-51477GNB-FW-AD

9.Applying Precautions

Please contact us when questions and/or new problems not specified in this Specifications arise.

10. Precautions Relating Product Handling

The Following precautions will guide you in handling our product correctly.

- 1) Liquid crystal display devices
 1. The liquid crystal display device panel used in the liquid crystal display module is made of plate glass. Avoid any strong mechanical shock. Should the glass break handle it with care.
 2. The polarizer adhering to the surface of the LCD is made of a soft material. Guard against scratching it.
- 2) Care of the liquid crystal display module against static electricity discharge.
 1. When working with the module, be sure to ground your body and any electrical equipment you may be using. We strongly recommend the use of anti static mats (made of rubber), to protect work tables against the hazards of electrical shock.
 2. Avoid the use of work clothing made of synthetic fibers. We recommend cotton clothing or other conductivity-treated fibers.
 3. Slowly and carefully remove the protective film from the LCD module, since this operation can generate static electricity.
- 3) When the LCD module alone must be stored for long periods of time:
 1. Protect the modules from high temperature and humidity.
 2. Keep the modules out of direct sunlight or direct exposure to ultraviolet rays.
 3. Protect the modules from excessive external forces.
- 4) Use the module with a power supply that is equipped with an overcurrent protector circuit, since the module is not provided with this protective feature.
- 5) Do not ingest the LCD fluid itself should it leak out of a damaged LCD module. Should hands or clothing come in contact with LCD fluid, wash immediately with soap.
- 6) Conductivity is not guaranteed for models that use metal holders where solder connections between the metal holder and the PCB are not used. Please contact us to discuss appropriate ways to assure conductivity.
- 7) For models which use CFL:
 1. High voltage of 1000V or greater is applied to the CFL cable connector area. Care should be taken not to touch connection areas to avoid burns.
 2. Protect CFL cables from rubbing against the unit and thus causing the wire jacket to become worn.
 3. The use of CFLs for extended periods of time at low temperatures will significantly shorten their service life.
- 8) For models which use touch panels:
 1. Do not stack up modules since they can be damaged by components on neighboring modules.
 2. Do not place heavy objects on top of the product. This could cause glass breakage.
- 9) For models which use COG, TAB, or COF:
 1. The mechanical strength of the product is low since the IC chip faces out unprotected from the rear. Be sure to protect the rear of the IC chip from external forces.
 2. Given the fact that the rear of the IC chip is left exposed, in order to protect the unit from electrical damage, avoid installation configurations in which the rear of the IC chip runs the risk of making any electrical contact.

10) Models which use flexible cable, heat seal, or TAB:

1. In order to maintain reliability, do not touch or hold by the connector area.
2. Avoid any bending, pulling, or other excessive force, which can result in broken connections.

11) have an adverse effect on connecting parts (LCD panel-TCP / HEAT SEAL / FPC / etc., PCB-TCP / HEAT SEAL / FPC etc., TCP-HEAT SEAL, TCP-FPC, HEAT SEAL-FPC, etc.,) depending on its materials.

Please check and evaluate these materials carefully before use.

12) In case of acrylic plate is attached to front side of LCD panel, cloudiness (very small cracks) can occur on acrylic plate, being influenced by some components generated from polarizer film..

Please check and evaluate those acrylic materials carefully before use.

11. Warranty

This product has been manufactured to your company's specifications as a part for use in your company's general electronic products. It is guaranteed to perform according to delivery specifications. For any other use apart from general electronic equipment, we cannot take responsibility if the product is used in medical devices, nuclear power control equipment, aerospace equipment, fire and security systems, or any other applications in which there is a direct risk to human life and where extremely high levels of reliability are required. If the product is to be used in any of the above applications, we will need to enter into a separate product liability agreement.

1. We cannot accept responsibility for any defect, which may arise from additional manufacturing of the product (including disassembly and reassembly), after product delivery.
2. We cannot accept responsibility for any defect, which may arise after the application of strong external force to the product.
3. We cannot accept responsibility for any defect, which may arise due to the application of static electricity after the product has passed your company's acceptance inspection procedures.
4. When the product is in CFL models, CFL service life and brightness will vary According to the performance of the inverter used, leaks, etc. We cannot accept responsibility for product performance, reliability, or defect, which may arise.
5. We cannot accept responsibility for intellectual property of a third party, which may arise through the application of our product to your assembly with exception to those issues relating directly to the structure or method of manufacturing of our product.
6. Optrex will not be held responsible for any quality guarantee issue for defect products judged as Optrex-origin longer than 2 (two) years from Optrex production or 1(one) year from Optrex, Optrex America, Optrex Europe delivery which ever comes later.