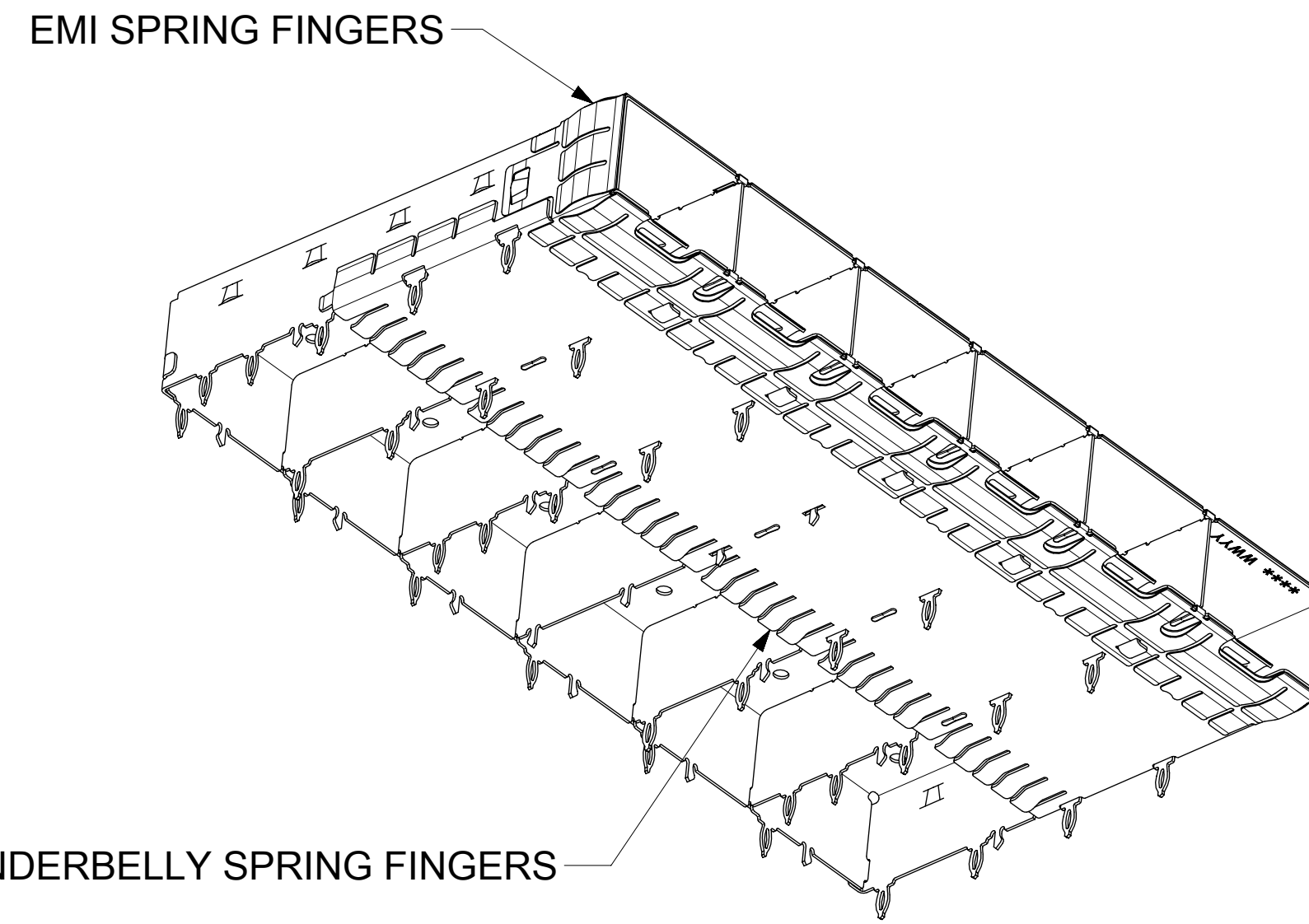
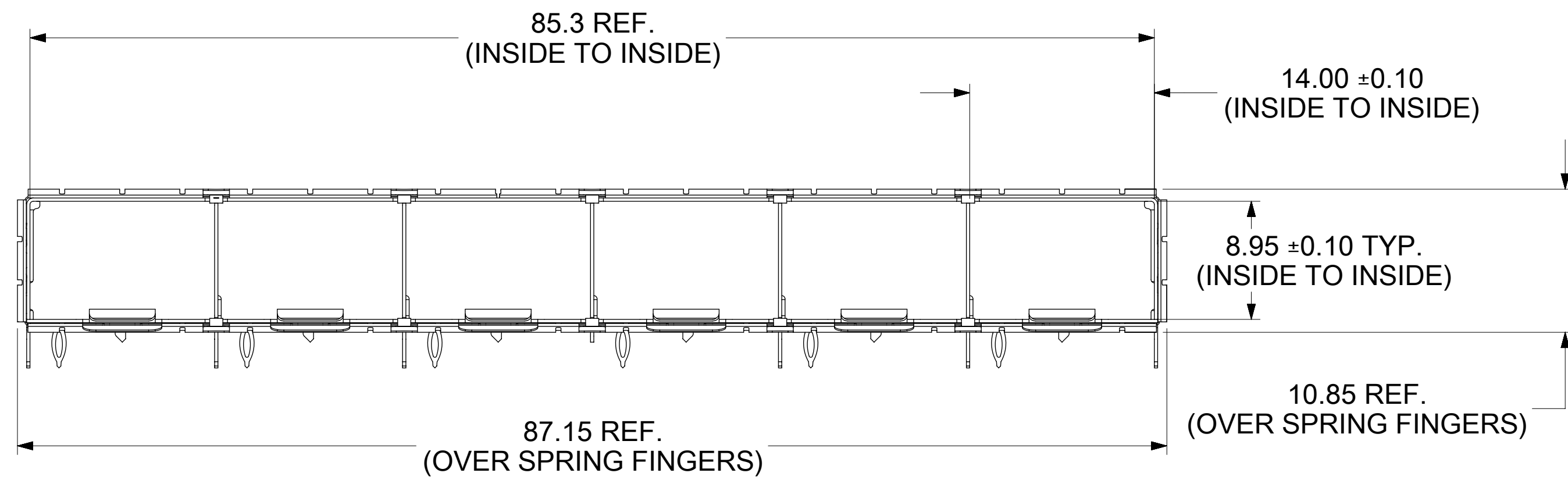
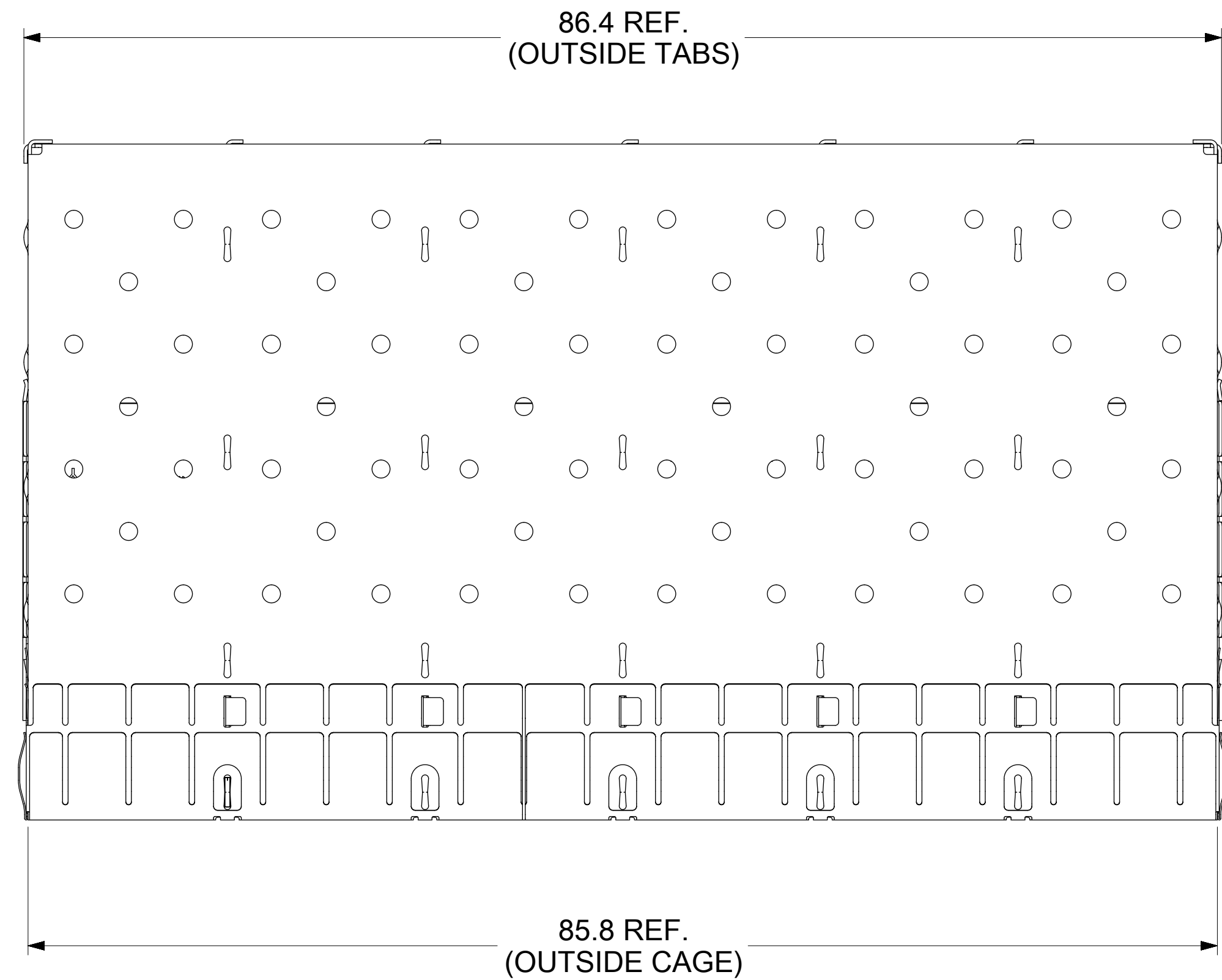
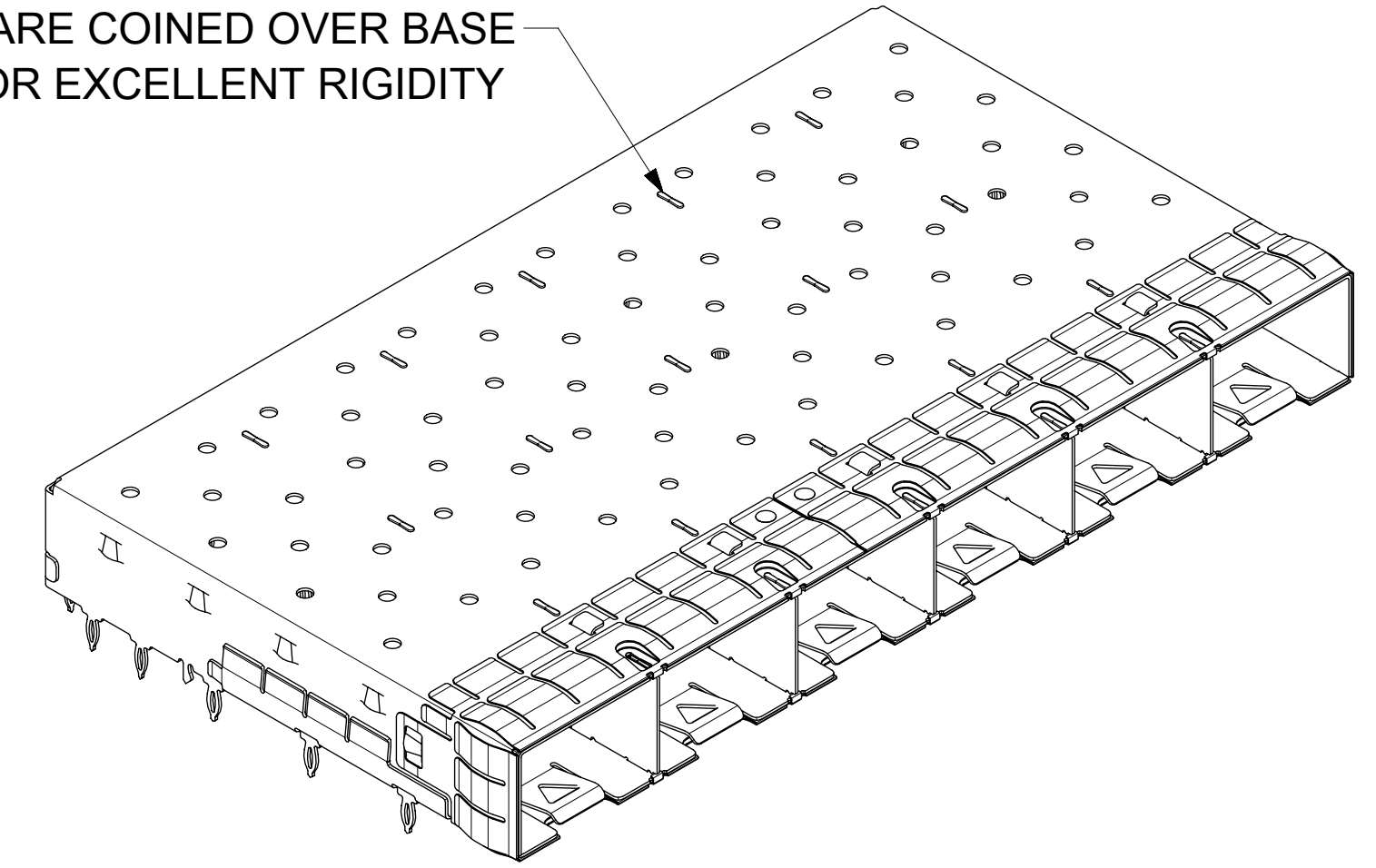


COMMON DIMENSION

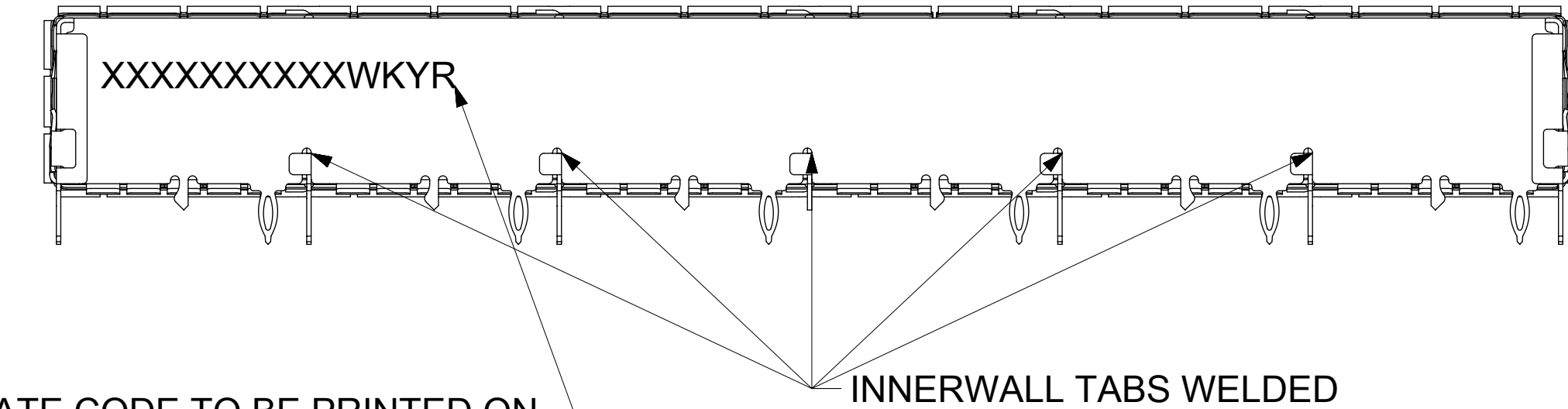
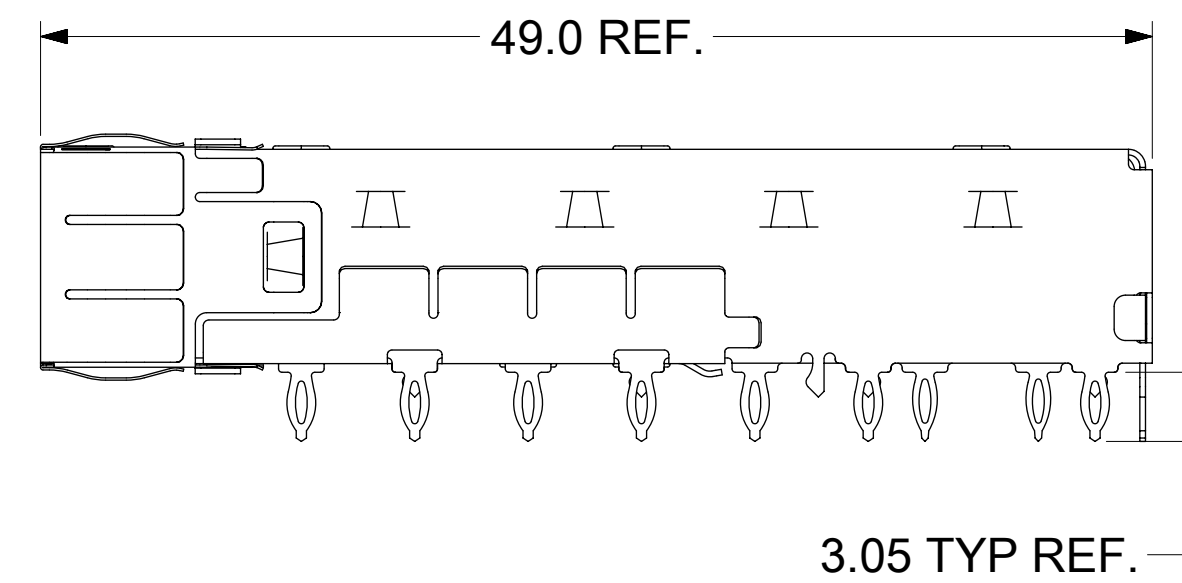
74754-8620
SHOWN



INNER WALLS ARE COINED OVER BASE AND COVER FOR EXCELLENT RIGIDITY



SFP+ 1X6 CAGES PRESS FIT W/ SPRING FINGERS		
MOLEX P/N	DESCRIPTION	PLATING
747548620	SFP+ 1X6 CAGE PRESS FIT W/2 WELD POINT W/ 5 WELD REAR TABS	PRE-PLATED: NICKEL (1.27~3.81 μm)
747548688	SFP+ 1X6 CAGE PRESS FIT W/12 WELD POINT W/ 5 WELD REAR TABS	PRE-PLATED: NICKEL (1.27~3.81 μm)



PART NO. AND WEEK/YEAR DATE CODE TO BE PRINTED ON BACK OF CAGE APPROXIMATE AS SHOWN. SEE TABLE BELOW FOR DATE CODE INFORMATION.

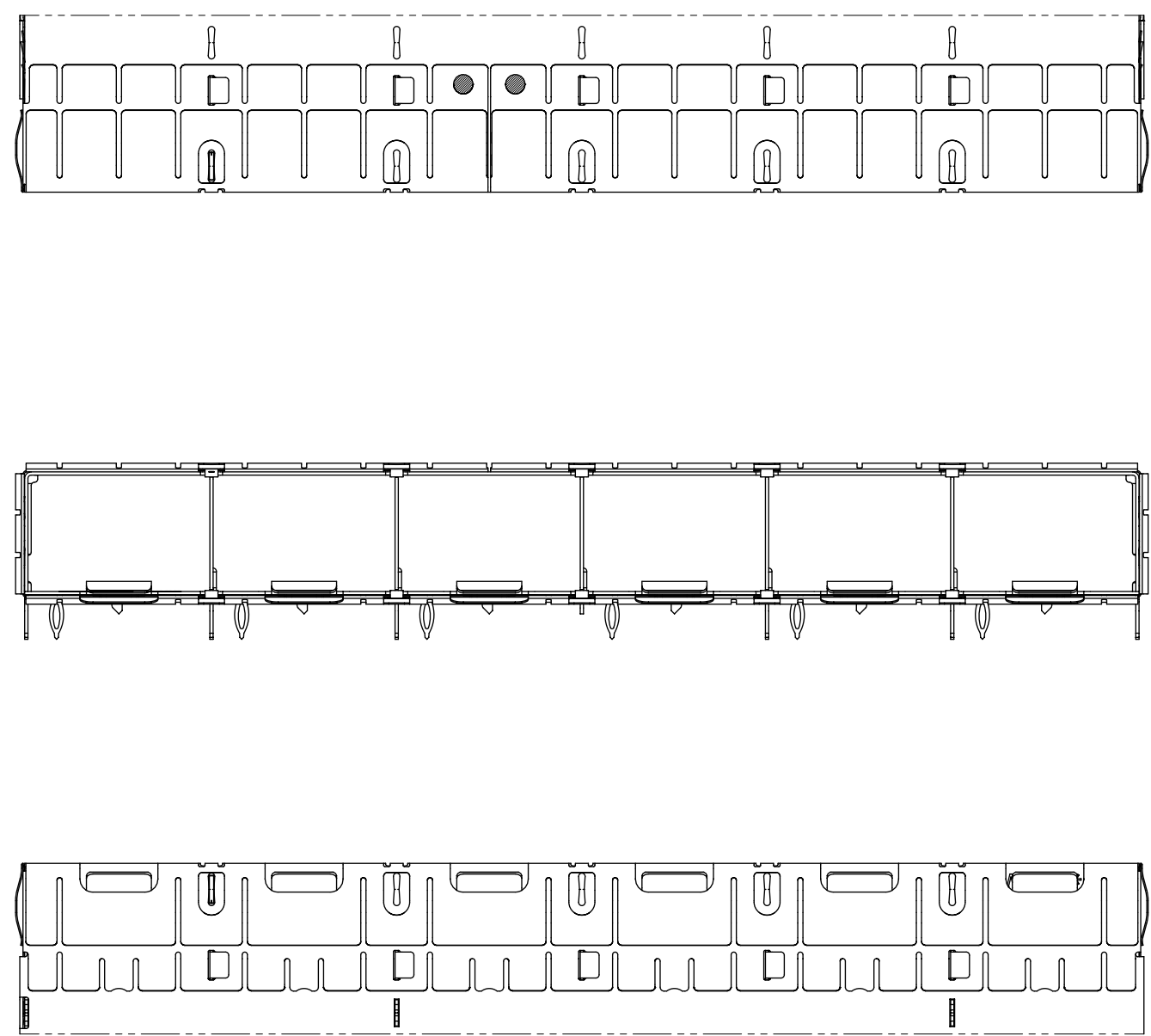
WEEK / YEAR DATE CODE:	
WK	01 THRU 52 OR 53. EXAMPLE: 01 = FIRST WEEK OF YEAR 52 OR 53 = LAST WEEK OF YEAR.
YR	22, 23, 24, EXAMPLE: 2022=22

NOTES:

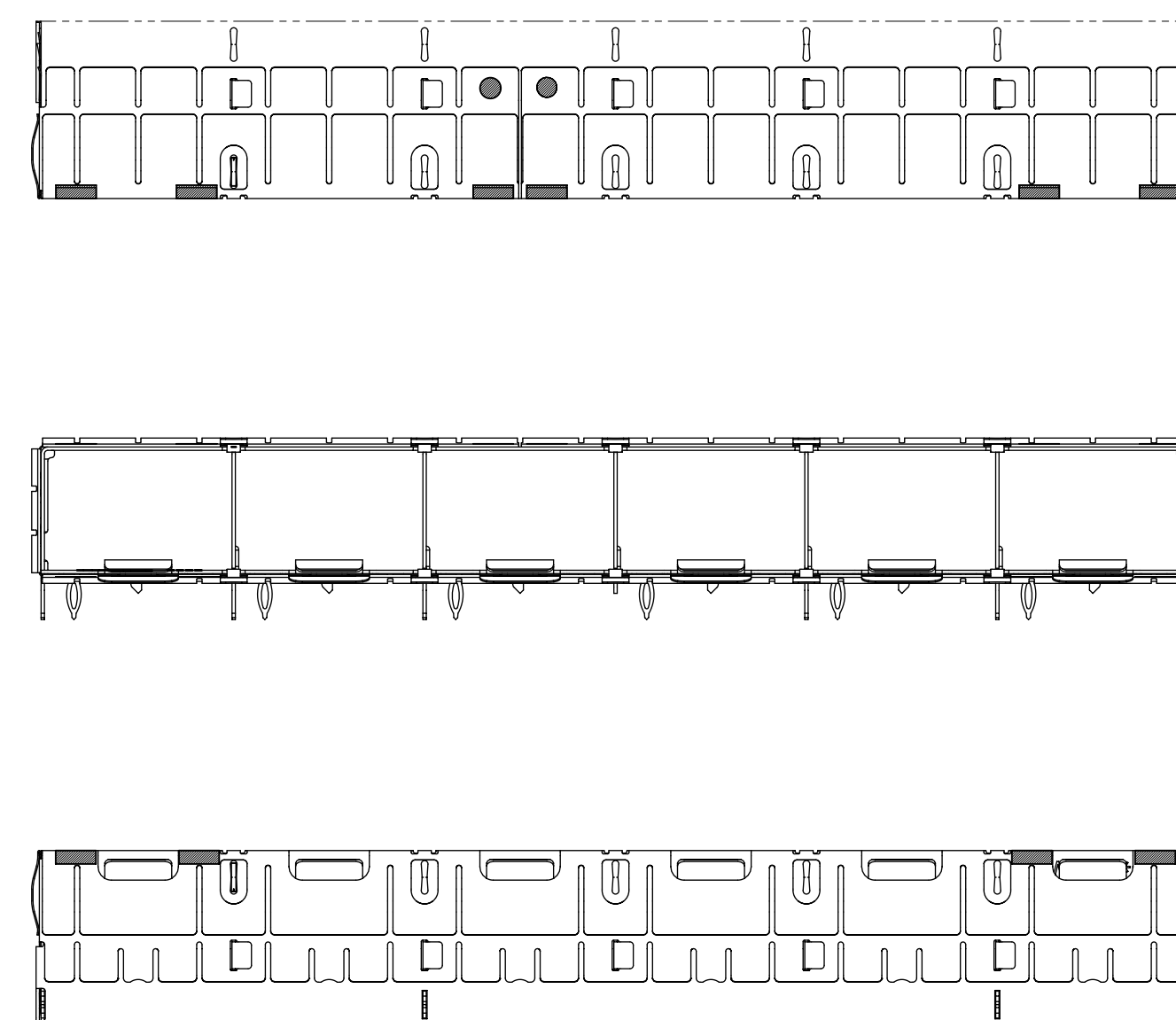
- MATERIAL:
CAGE: COPPER ALLOY, THICKNESS 0.25mm.
SPRING FINGER: STAINLESS STEEL.
- PRESS FIT LEGS 3.05 LONG -
1.57 MINIMUM PCB THICKNESS FOR SINGLE SIDED USE.
3.00 MINIMUM PCB THICKNESS FOR BELLY TO BELLY USE.
- OPTIONAL LIGHT PIPE ASSEMBLY AVAILABLE.
- WELD SPOTS MAY SHOW SLIGHT MATERIAL DISCOLORATION.
- PORTS ARE DESIGNED FOR SFP+ TRANSCEIVERS AND ARE COMPATIBLE WITH SFP TRANSCEIVERS.
- NO RoHS EXEMPTIONS.

FUNCTIONAL SYMBOLS FA = 0 FE = 0 FP = 0 DIVISIONAL SYMBOLS	THIS DRAWING CONTAINS INFORMATION THAT IS PROPRIETARY TO MOLEX ELECTRONIC TECHNOLOGIES, LLC AND SHOULD NOT BE USED WITHOUT WRITTEN PERMISSION		CURRENT REV DESC: SEE REVISION TABLE			
	DIMENSION UNITS: mm SCALE: 3:1	GENERAL TOLERANCES (UNLESS SPECIFIED)		EC NO: 706897		
	ANGULAR TOL: ± °	4 PLACES ±		DRWN: PKH 2022/04/05		
	3 PLACES ± 2 PLACES ± 0.15 1 PLACE ± 0.25 0 PLACES ±	3 PLACES ±		CHK'D: TKUMARKC 2022/05/18		
DRAFT WHERE APPLICABLE MUST REMAIN WITHIN DIMENSIONS		THIRD ANGLE PROJECTION	DRAWING: D-SIZE	SERIES: 74754	INITIAL REVISION: DRWN: PKH 2022/04/05, APPR: SCHIEN 2022/05/19	
DOCUMENT STATUS: P1		RELEASE DATE: 2022/05/19 07:40:30	MATERIAL NUMBER: SEE P/N TABLE		PRODUCT CUSTOMER DRAWING DOCUMENT NUMBER: 747548620 DOC TYPE: PSD DOC PART: ASY REVISION: A	
SHEET NUMBER: 1 OF 6		CUSTOMER: GENERAL MARKET		SHEET NUMBER: 1 OF 6		

WELD LOCATION FOR FRONT SPRING FINGER FOR 747548620



WELD LOCATION FOR FRONT SPRING FINGER FOR 747548688



FUNCTIONAL SYMBOLS										THIS DRAWING CONTAINS INFORMATION THAT IS PROPRIETARY TO MOLEX ELECTRONIC TECHNOLOGIES, LLC AND SHOULD NOT BE USED WITHOUT WRITTEN PERMISSION									
FA = 0		mm		SCALE 2:1		CURRENT REV DESC: SEE REVISION TABLE								molex					
FC = 0		GENERAL TOLERANCES (UNLESS SPECIFIED)				EC NO: 706897				SFP+ 1X6 CAGE, PRESS FIT									
FD = 0		ANGULAR TOL ± °				4 PLACES ±				DRWN: PKH 2022/04/05				W/ SUS EMI SPRING FINGER, BELLY TO BELLY MNTG					
DIVISIONAL SYMBOLS		3 PLACES ±				CHK'D: TKUMARKC 2022/05/18				PRODUCT CUSTOMER DRAWING									
		2 PLACES ± 0.15				APPR: SCHIEN 2022/05/19				INITIAL REVISION:									
		1 PLACE ± 0.25				DRWN: PKH 2022/04/05				DOCUMENT NUMBER		DOC TYPE		DOC PART		REVISION			
		0 PLACES ±				APPR: SCHIEN 2022/05/19				747548620		PSD		ASY		A			
DRAFT WHERE APPLICABLE MUST REMAIN WITHIN DIMENSIONS				THIRD ANGLE PROJECTION		DRAWING		SERIES		MATERIAL NUMBER		CUSTOMER		SHEET NUMBER					
						D-SIZE		74754		SEE P/N TABLE		GENERAL MARKET		2 OF 6					

PCB LAYOUT FOR SINGLE SIDE MOUNT

HATCHED AREA DENOTES COMPONENTS AND TRACE KEEP-OUT (EXCEPT CHASSIS GROUND)

CROSS HATCHED AREA GOES TO CHASSIS GROUND (NO OSP) 6 PLCS

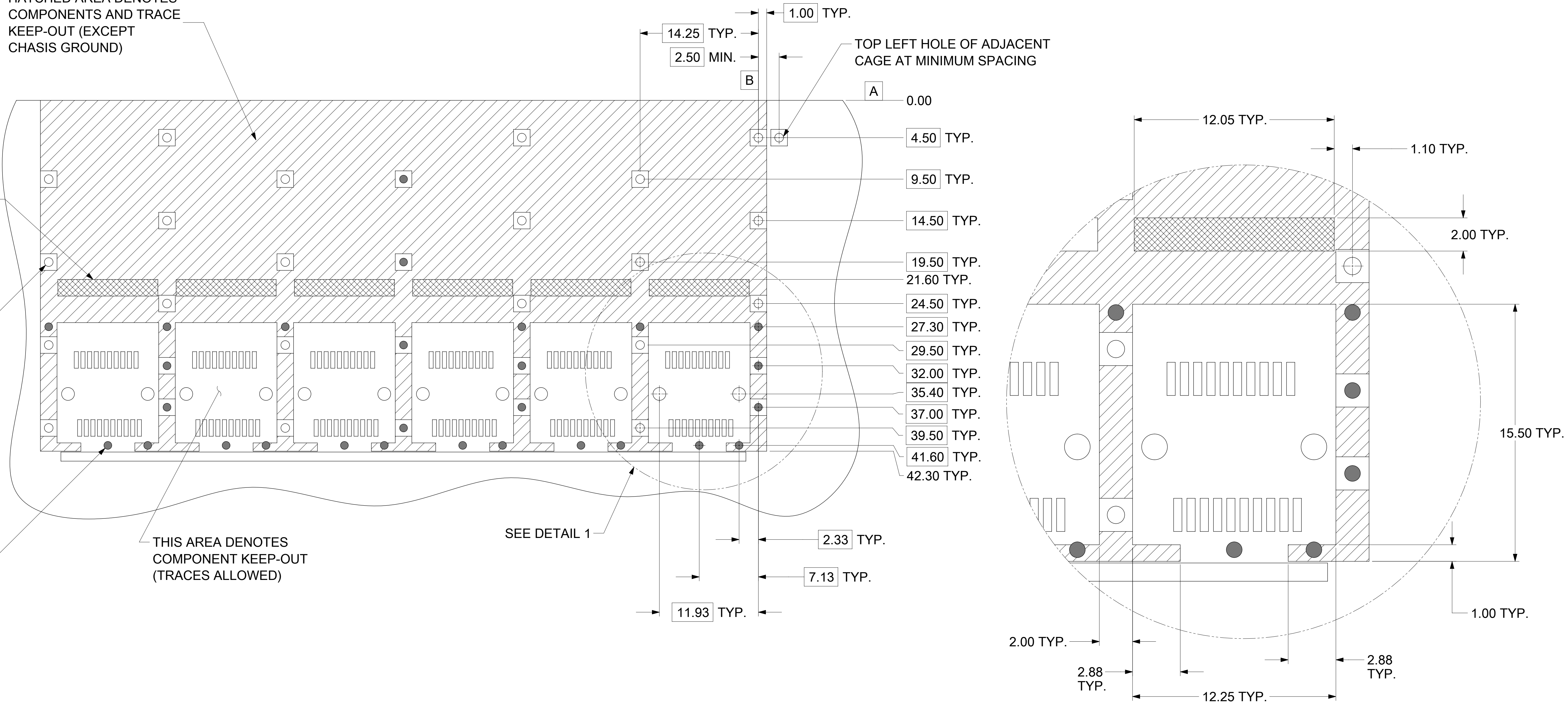
21X $\varnothing 1.05 \pm 0.05$
(SHOWN AS \oplus)
 $\oplus 0.10$ A B

28X $\varnothing 0.95 \pm 0.05$
(SHOWN AS \bullet)
 $\oplus 0.10$ A B

THIS AREA DENOTES COMPONENT KEEP-OUT (TRACES ALLOWED)

SEE DETAIL 1

TOP LEFT HOLE OF ADJACENT CAGE AT MINIMUM SPACING



DETAIL 1
SCALE 8:1
HOST CONNECTOR DETAIL

NOTES:

- PADS AND VIAS CONNECT TO CHASSIS GROUND. (RECOMMEND PADS TO BE 2.00mm SQUARE.)
- RECOMMENDED THRU HOLE PLATING INCLUDES HASL, OSP, OR IMMERSION. (GOLD, SILVER, OR TIN.)
- CONNECTOR PAD LAYOUT PER SFP+ MSA WILL ACCOMODATE MOLEX CONNECTOR SERIES 74441 OR EQUIVALENT.
- HOLE PATTERN REPEATS FOR EACH PORT. SPACING BETWEEN PORTS IS 14.25mm.

FUNCTIONAL SYMBOLS	THIS DRAWING CONTAINS INFORMATION THAT IS PROPRIETARY TO MOLEX ELECTRONIC TECHNOLOGIES, LLC AND SHOULD NOT BE USED WITHOUT WRITTEN PERMISSION		
	DIMENSION UNITS	SCALE	CURRENT REV DESC: SEE REVISION TABLE
$\nabla_A = 0$	mm	4:1	
$\nabla_C = 0$	GENERAL TOLERANCES (UNLESS SPECIFIED)		
$\nabla_D = 0$	ANGULAR TOL	\pm	$^\circ$
DIVISIONAL SYMBOLS	4 PLACES	\pm	
	3 PLACES	\pm	
	2 PLACES	\pm	0.15
	1 PLACE	\pm	0.25
	0 PLACES	\pm	
DRAFT WHERE APPLICABLE MUST REMAIN WITHIN DIMENSIONS	THIRD ANGLE PROJECTION	DRAWING	SERIES
		D-SIZE	74754
MATERIAL NUMBER		CUSTOMER	SHEET NUMBER
747548620		GENERAL MARKET	3 OF 6

molex

SFP+ 1X6 CAGE, PRESS FIT
W/ SUS EMI SPRING FINGER, BELLY TO BELLY MNTG

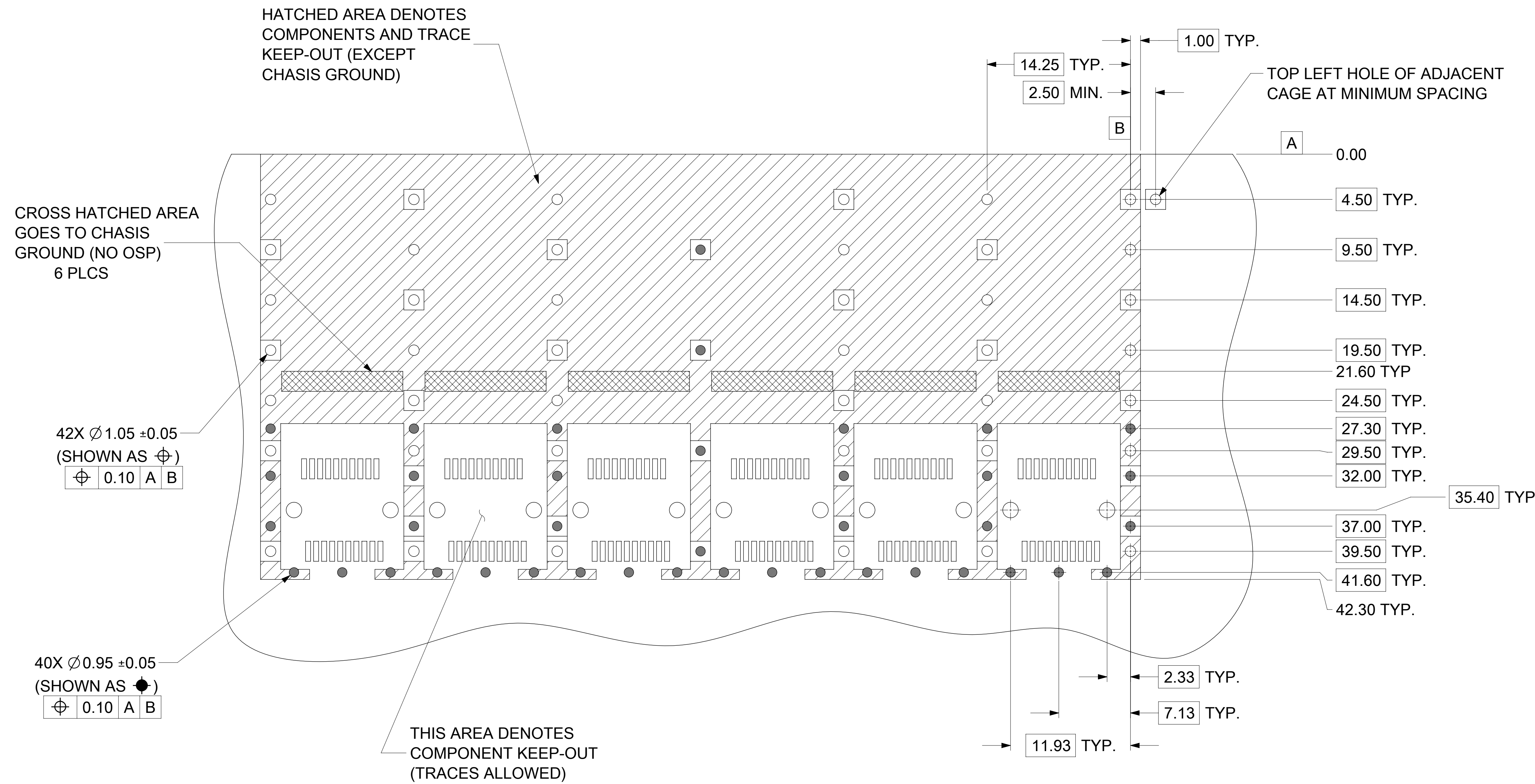
PRODUCT CUSTOMER DRAWING

DOCUMENT NUMBER DOC TYPE DOC PART REVISION

747548620

PSD ASY A

PCB LAYOUT FOR BELLY TO BELLY MOUNTING



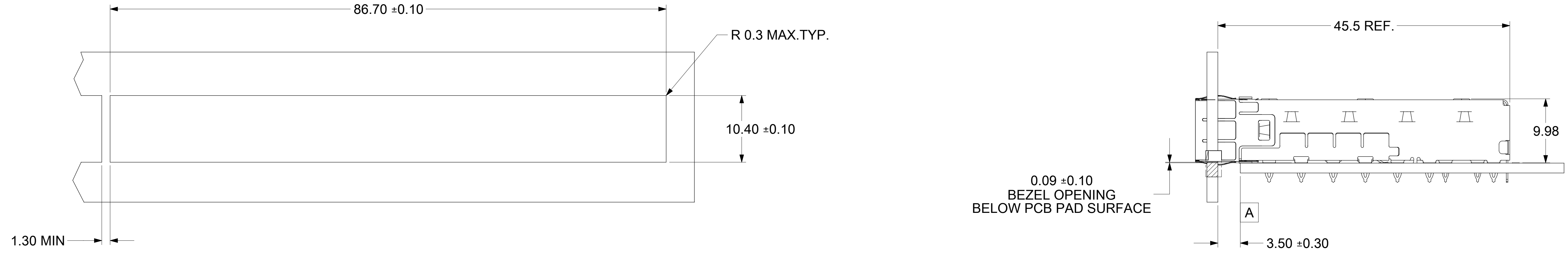
NOTE:
SEE SHEET 3 FOR
HOST CONNECTOR DETAIL

NOTES:

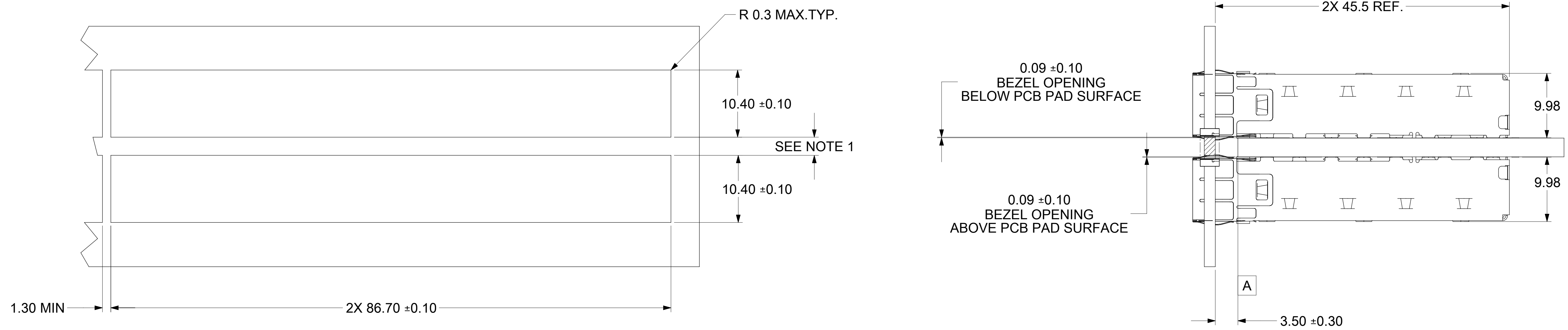
1. PADS AND VIAS CONNECT TO CHASSIS GROUND. (RECOMMEND PADS TO BE 2.00mm SQUARE.)
2. RECOMMENDED THRU HOLE PLATING INCLUDES HASL, OSP, OR IMMERSION. (GOLD, SILVER, OR TIN.)
3. CONNECTOR PAD LAYOUT PER SFP+ MSA WILL ACCOMODATE MOLEX CONNECTOR SERIES 74441 OR EQUIVALENT.
4. HOLE PATTERN REPEATS FOR EACH PORT. SPACING BETWEEN PORTS IS 14.25mm.

FUNCTIONAL SYMBOLS $F_A = 0$ $F_C = 0$ $F_P = 0$	THIS DRAWING CONTAINS INFORMATION THAT IS PROPRIETARY TO MOLEX ELECTRONIC TECHNOLOGIES, LLC AND SHOULD NOT BE USED WITHOUT WRITTEN PERMISSION		CURRENT REV DESC: SEE REVISION TABLE		
	DIMENSION UNITS mm	SCALE 4:1	<p>SFP+ 1X6 CAGE, PRESS FIT W/ SUS EMI SPRING FINGER, BELLY TO BELLY MNTG</p> <p>PRODUCT CUSTOMER DRAWING</p>		
	GENERAL TOLERANCES (UNLESS SPECIFIED)				
	ANGULAR TOL ± °				
4 PLACES ±					
DIVISIONAL SYMBOLS	3 PLACES ±	EC NO: 706897 DRWN: PKH 2022/04/05 CHK'D: TKUMARKC 2022/05/18 APPR: SCHIEN 2022/05/19	INITIAL REVISION: DRWN: PKH 2022/04/05 APPR: SCHIEN 2022/05/19		
	2 PLACES ± 0.15	DOCUMENT NUMBER: 747548620 DOC TYPE: PSD DOC PART: ASY REVISION: A			
	1 PLACE ± 0.25	DRAFT WHERE APPLICABLE THIRD ANGLE PROJECTION DRAWING: D-SIZE SERIES: 74754 MATERIAL NUMBER: SEE P/N TABLE CUSTOMER: GENERAL MARKET SHEET NUMBER: 4 OF 6			
	0 PLACES ±	MUST REMAIN WITHIN DIMENSIONS			

BEZEL AND BOARD POSITION DIMENSIONS FOR SINGLE SIDE MOUNTING (SPRING FINGER)



BEZEL AND BOARD POSITION DIMENSIONS FOR BELLY TO BELLY MOUNTING (SPRING FINGER)



NOTE:

1. PCB THICKNESS VARIATION MUST BE CONSIDERED WHEN DETERMINING BEZEL OPENING, SIZE, AND LOCATION.

FUNCTIONAL SYMBOLS FA = 0 FC = 0 FP = 0	THIS DRAWING CONTAINS INFORMATION THAT IS PROPRIETARY TO MOLEX ELECTRONIC TECHNOLOGIES, LLC AND SHOULD NOT BE USED WITHOUT WRITTEN PERMISSION		CURRENT REV DESC: SEE REVISION TABLE		molex	
	DIMENSION UNITS mm	SCALE 3:1				
DIVISIONAL SYMBOLS	GENERAL TOLERANCES (UNLESS SPECIFIED)		EC NO: 706897		SFP+ 1X6 CAGE, PRESS FIT	
	ANGULAR TOL	± °	DRWN: PKH 2022/04/05		W/ SUS EMI SPRING FINGER, BELLY TO BELLY MNTG	
	4 PLACES	±	CHK'D: TKUMARKC 2022/05/18		PRODUCT CUSTOMER DRAWING	
	3 PLACES	±	APPR: SCHIEN 2022/05/19		DOCUMENT NUMBER	
	2 PLACES	± 0.15	INITIAL REVISION:		DOC TYPE	
1 PLACE	± 0.25	DRWN: PKH 2022/04/05		DOC PART		
0 PLACES	±	APPR: SCHIEN 2022/05/19		REVISION		
DRAFT WHERE APPLICABLE MUST REMAIN WITHIN DIMENSIONS		THIRD ANGLE PROJECTION	DRAWING	SERIES	MATERIAL NUMBER	CUSTOMER
			D-SIZE	74754	SEE P/N TABLE	GENERAL MARKET
						SHEET NUMBER
						5 OF 6

DATE	REV	DESCRIPTION
2022/04/05	A	INITIAL RELEASE

FUNCTIONAL SYMBOLS										THIS DRAWING CONTAINS INFORMATION THAT IS PROPRIETARY TO MOLEX ELECTRONIC TECHNOLOGIES, LLC AND SHOULD NOT BE USED WITHOUT WRITTEN PERMISSION									
FA = 0		mm		SCALE 3:1		CURRENT REV DESC: SEE REVISION TABLE													
FC = 0		GENERAL TOLERANCES (UNLESS SPECIFIED)		ANGULAR TOL ± °		EC NO: 706897													
FD = 0		4 PLACES ±		3 PLACES ±		DRWN: PKH 2022/04/05													
DIVISIONAL SYMBOLS		3 PLACES ±		2 PLACES ± 0.15		CHK'D: TKUMARKC 2022/05/18													
		2 PLACES ± 0.15		1 PLACE ± 0.25		APPR: SCHIEN 2022/05/19													
		1 PLACE ± 0.25		0 PLACES ±		INITIAL REVISION: DRWN: PKH 2022/04/05													
		0 PLACES ±		DRAFT WHERE APPLICABLE MUST REMAIN WITHIN DIMENSIONS		APPR: SCHIEN 2022/05/19													
		DRAFT WHERE APPLICABLE MUST REMAIN WITHIN DIMENSIONS		THIRD ANGLE PROJECTION		DRAWING D-SIZE		SERIES 74754		DOCUMENT NUMBER 747548620		DOC TYPE PSD		DOC PART ASY		REVISION A			
										MATERIAL NUMBER SEE P/N TABLE		CUSTOMER GENERAL MARKET		SHEET NUMBER 6 OF 6					

DOCUMENT STATUS	P1	RELEASE DATE	2022/05/19 07:40:30
-----------------	----	--------------	---------------------